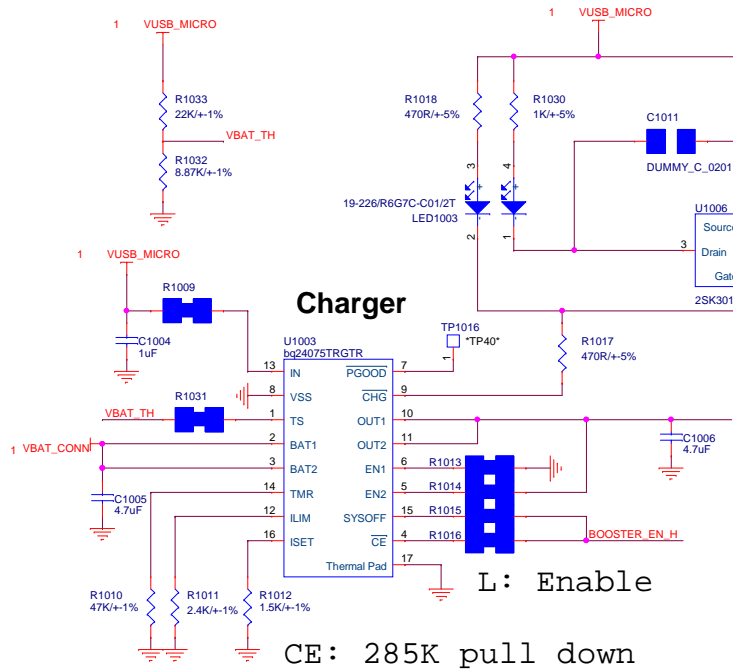


Charger



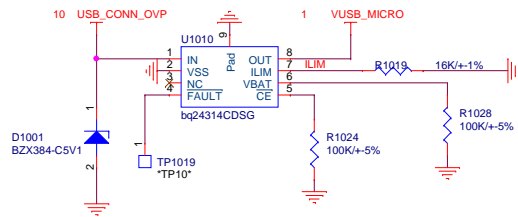
L: Enable

CE: 285K pull down

Timer: 6.2 Hrs

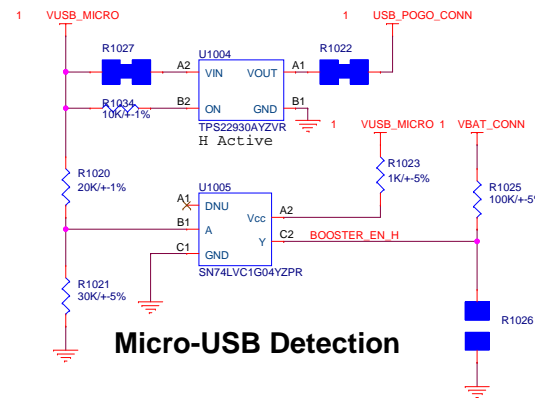
ISET: 600mA, ILIM: 700mA

OCP setting 1.5A

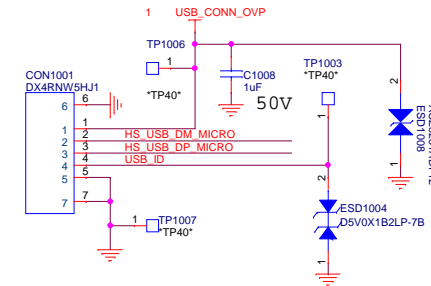


	USB	USB+ BAT (charge)	USB+ BAT (Full)	BAT
RED	X	V	X	X
GREEN	X	X	V	X

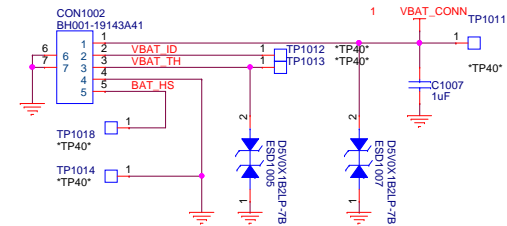
Micro-USB Detection



Micro-USB



BATTERY CONNECTOR



20150225 Change U1005 to SN74LVC1G04YZPR
20150225 Change CON1001 to temp DX4RNW5HJ1
20150305 Change R1008 to Dummy
20150312 Change R1004 to RM02FTN3002
20150518 change U1009 net
20150522 change U1006 net
 add U1010 for OVP protection
20150803 R1032 change to 8.87K

Title			
<Core Desig>		Title	
LCM CHARGING DOCK			Rev
Size	Document Number	LMR	PR2
B	<Doc>		
Date:	Thursday, August 06, 2015	Sheet	2 of 2