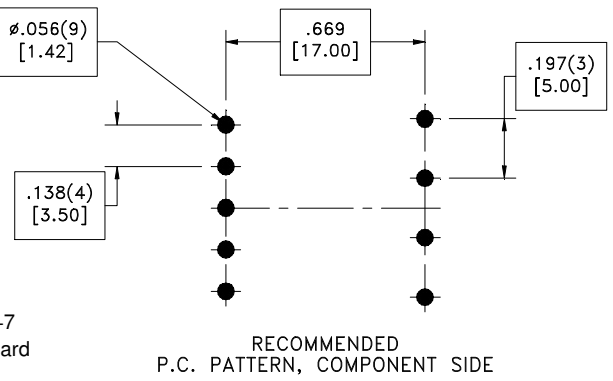
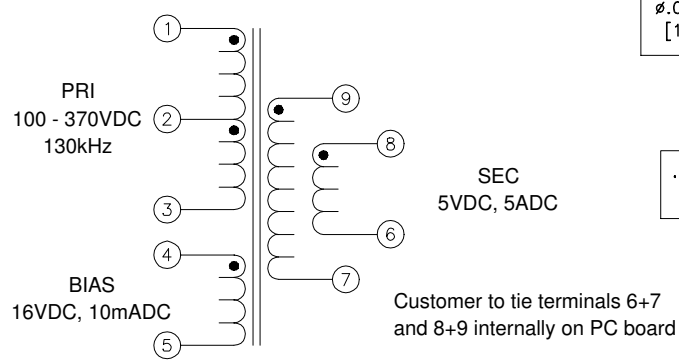
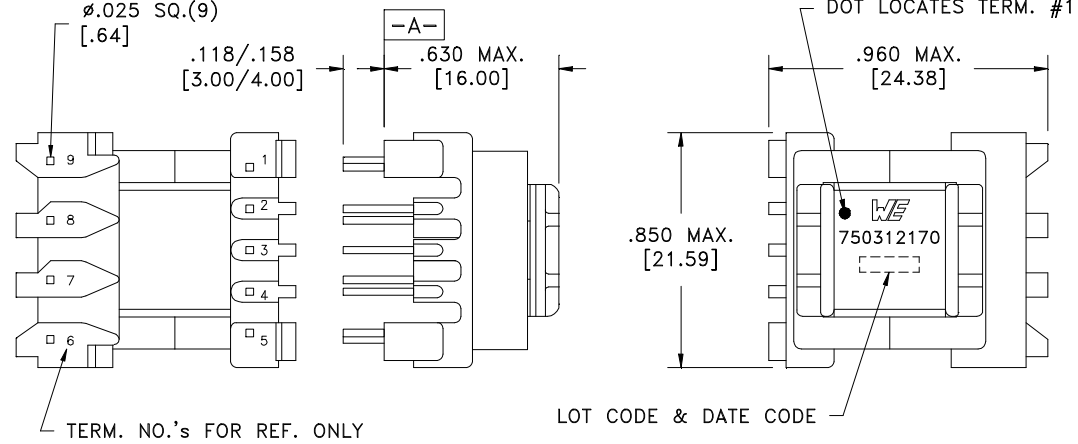


CUSTOMER TERMINAL	RoHS	LEAD(Pb)-FREE
Sn96%, Ag4%	Yes	Yes



PART MUST INSERT FULLY TO SURFACE A IN RECOMMENDED GRID
 $\varnothing.025$ SQ.(9)
 [.64]



ELECTRICAL SPECIFICATIONS @ 25°C unless otherwise noted:

- D.C. RESISTANCE (@20°C): 1-3, 0.890 Ohms \pm 20%.
 4-5, 0.430 Ohms \pm 20%.
 9-6 (tie 6+7, 8+9), 0.003 Ohms max.
- DIELECTRIC RATING: 1500VAC, 1 minute tested by applying 1875VAC for 1 second between pins 1-9(tie 3+4, 7+8).
- INDUCTANCE: 400 μ H \pm 10%, 100kHz, 100mVAC, 0mADC, 1-3, Ls.
- SATURATION CURRENT: 1.25ADC saturating current that causes 20% rolloff from initial inductance.
- LEAKAGE INDUCTANCE: 8 μ H typ., 11 μ H max., 100kHz, 100mVAC, 1-3(tie 4+5, 6+7+8+9), Ls.
- URNS RATIO:
 (1-3):(4-5), (6.6):(1.00), \pm 4%.
 (1-3):(9-7), (22):(1.00), \pm 4%.
 (1-3):(8-6), (22):(1.00), \pm 4%.

OPERATING TEMPERATURE RANGE: -40°C to +125°C including temp rise.

Designed to comply with the following requirements as defined by IEC61558-2-17:
 - Functional insulation for a primary circuit at a working voltage of 400VDC.

Wire insulation & RoHS status not affected by wire color. Wire insulation color may vary depending on availability.

WE-Midcom, Inc. Watertown, SD USA Toll Free: 800-643-2661 Fax: 605-886-4486	Unless otherwise specified, tolerances are as follows: Angles: \pm 1° Fractions: \pm 1/64 Decimals: \pm .005 (.127mm)		WE-Midcom, Inc.	
	Drawing Title <h1>Transformer</h1>		Drawing Number <h2>750312170</h2>	Rev. 00
This drawing is dual dimensioned. Dimensions in brackets are in millimeters		Revisions: See Sheet 1		Scale ---- Sheet 2 of 5
Engineer: EJK				03/19/2012