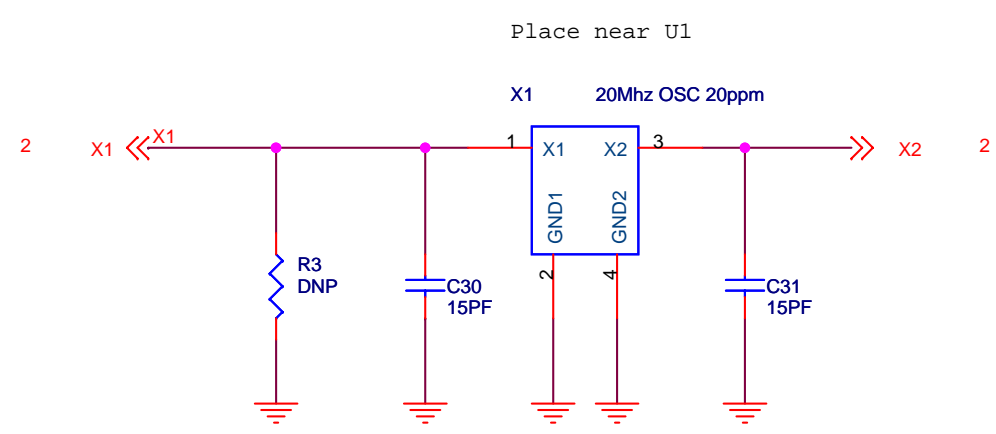
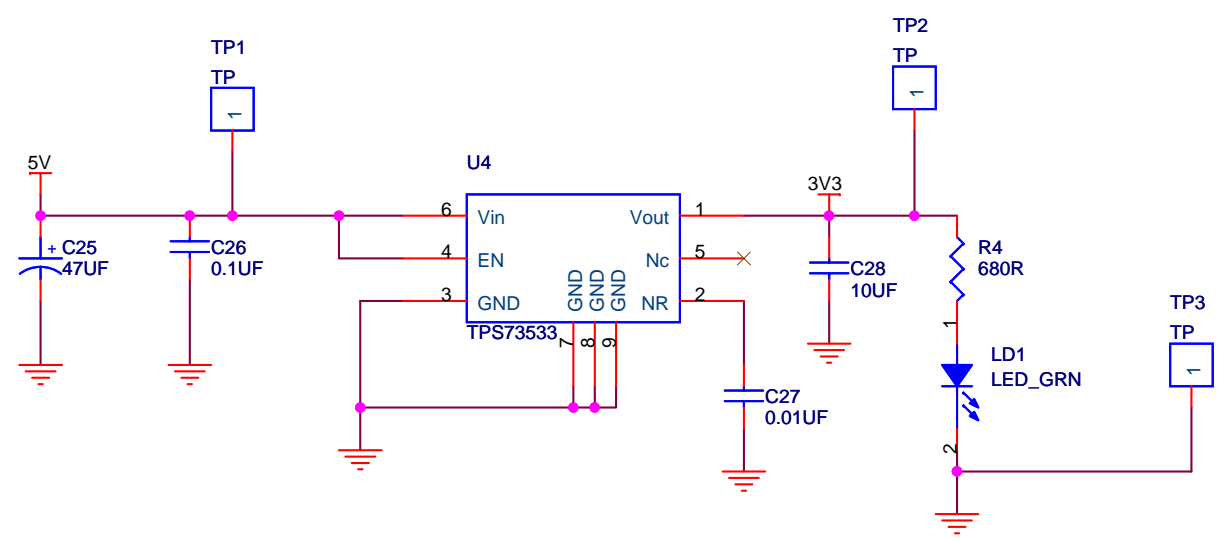


- 0.1 - First Draft
- 1.0 - First Release
- 1.1 - Edited position of TMS and TDO to match U1 pinout;
Changed external crystal and passive around it

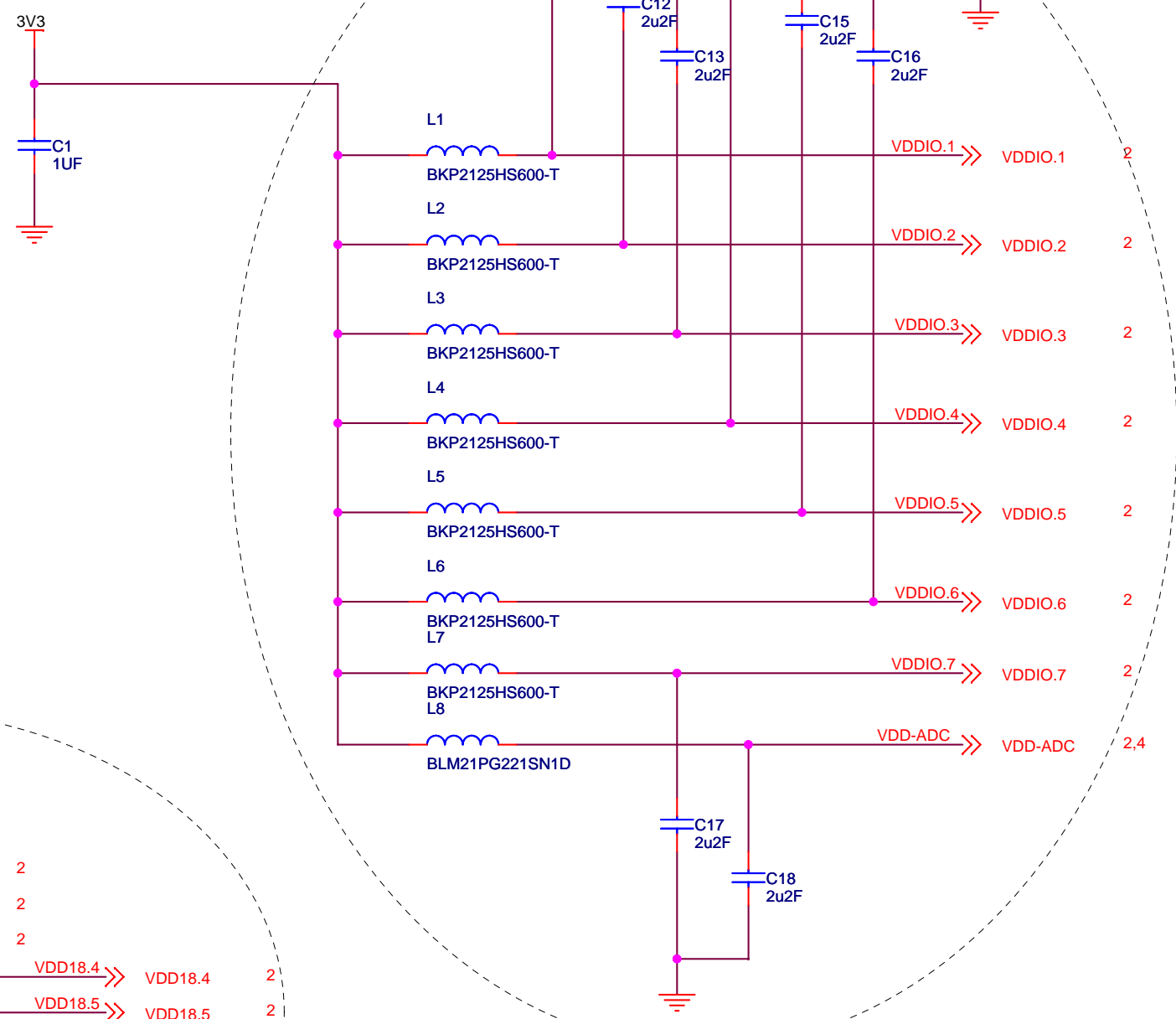
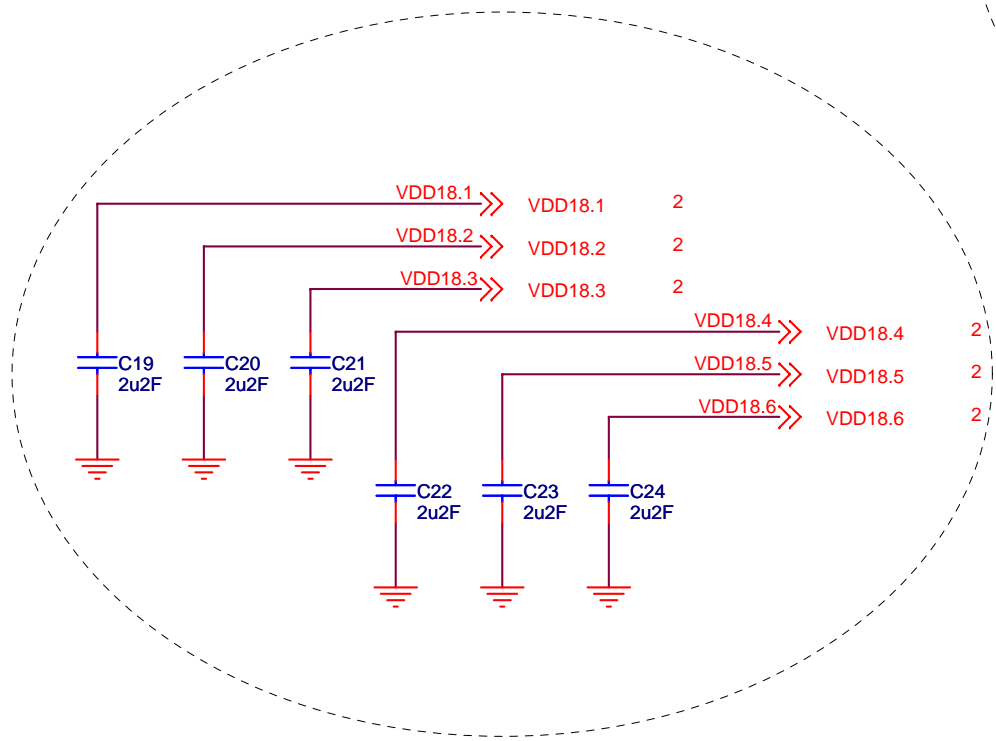
DIRECTORY:

- 1 - Notes
- 2 - MCU
- 3 - Power/Ground
- 4 - IO

Title: F28069U Controller Card		TI	
Page Contents:		Notes	
Size: B	F28069U_CONTROLLERCARD_V1.1.DSN	Revision:	1.1
Date:	Wednesday, February 02, 2011	Sheet	1 of 4



If internal crystal only is desired, X1 can be de-populated
 R3 should be populated with 0R0, and C30+C31 should be
 depopulated



TI		
Title: F28069U Controller Card		
Page Contents: Power/Ground		
Size: B	F28069U_CONTROLLERCARD_V1.1.DSN	Revision: 1.1
Date: Wednesday, February 02, 2011	Sheet 3 of 4	

