

# TMS320x2802x, 2803x Piccolo Enhanced Pulse Width Modulator (ePWM) Module

## Reference Guide



Literature Number: SPRUGE9E  
December 2008–Revised March 2011



<b>Preface</b> .....	<b>9</b>
<b>1 Introduction</b> .....	<b>13</b>
1.1 Submodule Overview .....	13
1.2 Register Mapping .....	17
<b>2 ePWM Submodules</b> .....	<b>20</b>
2.1 Overview .....	20
2.2 Time-Base (TB) Submodule .....	22
2.3 Counter-Compare (CC) Submodule .....	33
2.4 Action-Qualifier (AQ) Submodule .....	39
2.5 Dead-Band Generator (DB) Submodule .....	53
2.6 PWM-Chopper (PC) Submodule .....	58
2.7 Trip-Zone (TZ) Submodule .....	62
2.8 Event-Trigger (ET) Submodule .....	67
2.9 Digital Compare (DC) Submodule .....	71
<b>3 Applications to Power Topologies</b> .....	<b>78</b>
3.1 Overview of Multiple Modules .....	78
3.2 Key Configuration Capabilities .....	78
3.3 Controlling Multiple Buck Converters With Independent Frequencies .....	79
3.4 Controlling Multiple Buck Converters With Same Frequencies .....	83
3.5 Controlling Multiple Half H-Bridge (HHB) Converters .....	86
3.6 Controlling Dual 3-Phase Inverters for Motors (ACI and PMSM) .....	88
3.7 Practical Applications Using Phase Control Between PWM Modules .....	92
3.8 Controlling a 3-Phase Interleaved DC/DC Converter .....	93
3.9 Controlling Zero Voltage Switched Full Bridge (ZVSFB) Converter .....	97
3.10 Controlling a Peak Current Mode Controlled Buck Module .....	99
3.11 Controlling H-Bridge LLC Resonant Converter .....	101
<b>4 Registers</b> .....	<b>104</b>
4.1 Time-Base Submodule Registers .....	104
4.2 Counter-Compare Submodule Registers .....	111
4.3 Action-Qualifier Submodule Registers .....	115
4.4 Dead-Band Submodule Registers .....	118
4.5 PWM-Chopper Submodule Control Register .....	120
4.6 Trip-Zone Submodule Control and Status Registers .....	122
4.7 Digital Compare Submodule Registers .....	129
4.8 Event-Trigger Submodule Registers .....	134
4.9 Proper Interrupt Initialization Procedure .....	139
<b>Appendix A Revision History</b> .....	<b>140</b>

## List of Figures

1	Multiple ePWM Modules .....	15
2	Submodules and Signal Connections for an ePWM Module .....	16
3	ePWM Submodules and Critical Internal Signal Interconnects.....	17
4	Time-Base Submodule Block Diagram .....	22
5	Time-Base Submodule Signals and Registers .....	23
6	Time-Base Frequency and Period .....	25
7	Time-Base Counter Synchronization Scheme 1 .....	27
8	Time-Base Counter Synchronization Scheme 2 .....	28
9	Time-Base Counter Synchronization Scheme 3 .....	29
10	Time-Base Up-Count Mode Waveforms.....	31
11	Time-Base Down-Count Mode Waveforms .....	32
12	Time-Base Up-Down-Count Waveforms, TBCTL[PHSDIR = 0] Count Down On Synchronization Event .....	32
13	Time-Base Up-Down Count Waveforms, TBCTL[PHSDIR = 1] Count Up On Synchronization Event.....	33
14	Counter-Compare Submodule .....	33
15	Detailed View of the Counter-Compare Submodule .....	35
16	Counter-Compare Event Waveforms in Up-Count Mode .....	37
17	Counter-Compare Events in Down-Count Mode .....	38
18	Counter-Compare Events In Up-Down-Count Mode, TBCTL[PHSDIR = 0] Count Down On Synchronization Event .....	39
19	Counter-Compare Events In Up-Down-Count Mode, TBCTL[PHSDIR = 1] Count Up On Synchronization Event .....	39
20	Action-Qualifier Submodule .....	40
21	Action-Qualifier Submodule Inputs and Outputs .....	41
22	Possible Action-Qualifier Actions for EPWMxA and EPWMxB Outputs.....	42
23	Up-Down-Count Mode Symmetrical Waveform .....	45
24	Up, Single Edge Asymmetric Waveform, With Independent Modulation on EPWMxA and EPWMxB—Active High .....	46
25	Up, Single Edge Asymmetric Waveform With Independent Modulation on EPWMxA and EPWMxB—Active Low.....	47
26	Up-Count, Pulse Placement Asymmetric Waveform With Independent Modulation on EPWMxA .....	48
27	Up-Down-Count, Dual Edge Symmetric Waveform, With Independent Modulation on EPWMxA and EPWMxB — Active Low .....	50
28	Up-Down-Count, Dual Edge Symmetric Waveform, With Independent Modulation on EPWMxA and EPWMxB — Complementary .....	51
29	Up-Down-Count, Dual Edge Asymmetric Waveform, With Independent Modulation on EPWMxA—Active Low .....	52
30	Dead_Band Submodule .....	53
31	Configuration Options for the Dead-Band Submodule .....	54
32	Dead-Band Waveforms for Typical Cases (0% < Duty < 100%).....	56
33	PWM-Chopper Submodule.....	58
34	PWM-Chopper Submodule Operational Details .....	59
35	Simple PWM-Chopper Submodule Waveforms Showing Chopping Action Only .....	59
36	PWM-Chopper Submodule Waveforms Showing the First Pulse and Subsequent Sustaining Pulses .....	60
37	PWM-Chopper Submodule Waveforms Showing the Pulse Width (Duty Cycle) Control of Sustaining Pulses.....	61
38	Trip-Zone Submodule.....	62
39	Trip-Zone Submodule Mode Control Logic .....	66
40	Trip-Zone Submodule Interrupt Logic.....	67
41	Event-Trigger Submodule .....	68

42	Event-Trigger Submodule Inter-Connectivity of ADC Start of Conversion .....	68
43	Event-Trigger Submodule Showing Event Inputs and Prescaled Outputs.....	69
44	Event-Trigger Interrupt Generator .....	70
45	Event-Trigger SOCA Pulse Generator.....	71
46	Event-Trigger SOCB Pulse Generator.....	71
47	Digital-Compare Submodule High-Level Block Diagram .....	72
48	DCAEVT1 Event Triggering .....	74
49	DCAEVT2 Event Triggering .....	74
50	DCBEVT1 Event Triggering .....	75
51	DCBEVT2 Event Triggering .....	75
52	Event Filtering.....	76
53	Blanking Window Timing Diagram .....	77
54	Simplified ePWM Module.....	78
55	EPWM1 Configured as a Typical Master, EPWM2 Configured as a Slave .....	79
56	Control of Four Buck Stages. Here $F_{PWM1} \neq F_{PWM2} \neq F_{PWM3} \neq F_{PWM4}$ .....	80
57	Buck Waveforms for (Note: Only three bucks shown here).....	81
58	Control of Four Buck Stages. (Note: $F_{PWM2} = N \times F_{PWM1}$ ) .....	83
59	Buck Waveforms for (Note: $F_{PWM2} = F_{PWM1}$ ).....	84
60	Control of Two Half-H Bridge Stages ( $F_{PWM2} = N \times F_{PWM1}$ ) .....	86
61	Half-H Bridge Waveforms for (Note: Here $F_{PWM2} = F_{PWM1}$ ) .....	87
62	Control of Dual 3-Phase Inverter Stages as Is Commonly Used in Motor Control .....	89
63	3-Phase Inverter Waveforms for (Only One Inverter Shown) .....	90
64	Configuring Two PWM Modules for Phase Control .....	92
65	Timing Waveforms Associated With Phase Control Between 2 Modules.....	93
66	Control of a 3-Phase Interleaved DC/DC Converter .....	94
67	3-Phase Interleaved DC/DC Converter Waveforms for .....	95
68	Controlling a Full-H Bridge Stage ( $F_{PWM2} = F_{PWM1}$ ) .....	97
69	ZVS Full-H Bridge Waveforms.....	98
70	Peak Current Mode Control of a Buck Converter.....	100
71	Peak Current Mode Control Waveforms for .....	100
72	Control of Two Resonant Converter Stages.....	101
73	H-Bridge LLC Resonant Converter PWM Waveforms .....	102
74	Time-Base Period Register (TBPRD) .....	104
75	Time Base Period High Resolution Register (TBPRDHR) .....	104
76	Time Base Period Mirror Register (TBPRDM) .....	104
77	Time-Base Period High Resolution Mirror Register (TBPRDHRM) .....	105
78	Time-Base Phase Register (TBPHS).....	105
79	Time-Base Phase High Resolution Register (TBPHSHR).....	106
80	Time-Base Counter Register (TBCTR).....	106
81	Time-Base Control Register (TBCTL) .....	106
82	Time-Base Status Register (TBSTS).....	109
83	High Resolution Period Control Register (HRPCTL) .....	109
84	Counter-Compare A Register (CMPA) .....	111
85	Counter-Compare B Register (CMPB) .....	111
86	Counter-Compare Control Register (CMPCTL).....	113
87	Compare A High Resolution Register (CMPAHR) .....	114
88	Counter-Compare A Mirror Register (CMPAM) .....	114
89	Compare A High Resolution Mirror Register .....	114
90	Action-Qualifier Output A Control Register (AQCTLA).....	115

91	Action-Qualifier Output B Control Register (AQCTLB) .....	116
92	Action-Qualifier Software Force Register (AQSFC) .....	117
93	Action-Qualifier Continuous Software Force Register (AQCSFC) .....	118
94	Dead-Band Generator Control Register (DBCTL) .....	118
95	Dead-Band Generator Rising Edge Delay Register (DBRED) .....	120
96	Dead-Band Generator Falling Edge Delay Register (DBFED) .....	120
97	PWM-Chopper Control Register (PCCTL) .....	120
98	Trip-Zone Select Register (TZSEL) .....	122
99	Trip-Zone Control Register (TZCTL) .....	123
100	Trip-Zone Enable Interrupt Register (TZEINT) .....	124
101	Trip-Zone Flag Register (TZFLG) .....	125
102	Trip-Zone Clear Register (TZCLR) .....	126
103	Trip-Zone Force Register (TZFRC) .....	126
104	Trip Zone Digital Compare Event Select Register (TZDCSEL) .....	127
105	Digital Compare Trip Select (DCTRIPSEL) .....	129
106	Digital Compare A Control Register (DCACTL) .....	130
107	Digital Compare B Control Register (DCBCTL) .....	131
108	Digital Compare Filter Control Register (DCFCTL) .....	131
109	Digital Compare Capture Control Register (DCCAPCTL) .....	132
110	Digital Compare Counter Capture Register (DCCAP) .....	132
111	Digital Compare Filter Offset Register (DCFOFFSET) .....	133
112	Digital Compare Filter Offset Counter Register (DCFOFFSETCNT) .....	133
113	Digital Compare Filter Window Register (DCFWINDOW) .....	134
114	Digital Compare Filter Window Counter Register (DCFWINDOWCNT) .....	134
115	Event-Trigger Selection Register (ETSEL) .....	134
116	Event-Trigger Prescale Register (ETPS) .....	136
117	Event-Trigger Flag Register (ETFLG) .....	137
118	Event-Trigger Clear Register (ETCLR) .....	138
119	Event-Trigger Force Register (ETFRC) .....	138

## List of Tables

1	ePWM Module Control and Status Register Set Grouped by Submodule .....	18
2	Submodule Configuration Parameters .....	20
3	Time-Base Submodule Registers .....	23
4	Key Time-Base Signals .....	24
5	Counter-Compare Submodule Registers .....	34
6	Counter-Compare Submodule Key Signals .....	35
7	Action-Qualifier Submodule Registers .....	40
8	Action-Qualifier Submodule Possible Input Events .....	41
9	Action-Qualifier Event Priority for Up-Down-Count Mode .....	43
10	Action-Qualifier Event Priority for Up-Count Mode .....	43
11	Action-Qualifier Event Priority for Down-Count Mode .....	43
12	Behavior if CMPA/CMPB is Greater than the Period .....	43
13	Dead-Band Generator Submodule Registers .....	53
14	Classical Dead-Band Operating Modes .....	55
15	Dead-Band Delay Values in $\mu$ S as a Function of DBFED and DBRED .....	57
16	PWM-Chopper Submodule Registers .....	58
17	Possible Pulse Width Values for SYSCLKOUT = 100 MHz .....	60
18	Trip-Zone Submodule Registers .....	63
19	Possible Actions On a Trip Event .....	65
20	Event-Trigger Submodule Registers .....	69
21	Digital Compare Submodule Registers .....	72
22	Time-Base Period Register (TBPRD) Field Descriptions .....	104
23	Time Base Period High Resolution Register (TBPRDHR) Field Descriptions .....	104
24	Time Base Period Mirror Register (TBPRDM) Field Descriptions .....	105
25	Time-Base Period High Resolution Mirror Register (TBPRDHRM) Field Descriptions .....	105
26	Time-Base Phase Register (TBPHS) Field Descriptions .....	105
27	Time-Base Phase High Resolution Register (TBPHSHR) Field Descriptions .....	106
28	Time-Base Counter Register (TBCTR) Field Descriptions .....	106
29	Time-Base Control Register (TBCTL) Field Descriptions .....	106
30	Time-Base Status Register (TBSTS) Field Descriptions .....	109
31	High Resolution Period Control Register (HRPCTL) Field Descriptions .....	109
32	Counter-Compare A Register (CMPA) Field Descriptions .....	111
33	Counter-Compare B Register (CMPB) Field Descriptions .....	112
34	Counter-Compare Control Register (CMPCTL) Field Descriptions .....	113
35	Compare A High Resolution Register (CMPAHR) Field Descriptions .....	114
36	Counter-Compare A Mirror Register (CMPAM) Field Descriptions .....	114
37	Compare A High-Resolution Mirror Register (CMPAHRM) Field Descriptions .....	115
38	Action-Qualifier Output A Control Register (AQCTLA) Field Descriptions .....	115
39	Action-Qualifier Output B Control Register (AQCTLB) Field Descriptions .....	116
40	Action-Qualifier Software Force Register (AQSFRC) Field Descriptions .....	117
41	Action-qualifier Continuous Software Force Register (AQCSFRC) Field Descriptions .....	118
42	Dead-Band Generator Control Register (DBCTL) Field Descriptions .....	119
43	Dead-Band Generator Rising Edge Delay Register (DBRED) Field Descriptions .....	120
44	Dead-Band Generator Falling Edge Delay Register (DBFED) Field Descriptions .....	120
45	PWM-Chopper Control Register (PCCTL) Bit Descriptions .....	121
46	Trip-Zone Submodule Select Register (TZSEL) Field Descriptions .....	122
47	Trip-Zone Control Register Field Descriptions .....	123

48	Trip-Zone Enable Interrupt Register (TZEINT) Field Descriptions .....	124
49	Trip-Zone Flag Register Field Descriptions.....	125
50	Field Descriptions .....	126
51	Trip-Zone Force Register (TZFRC) Field Descriptions .....	126
52	Trip Zone Digital Compare Event Select Register (TZDCSEL) Field Descriptions.....	127
53	Digital Compare Trip Select (DCTRIPSEL) Field Descriptions .....	129
54	Digital Compare A Control Register (DCACTL) Field Descriptions .....	130
55	Digital Compare B Control Register (DCBCTL) Field Descriptions .....	131
56	Digital Compare Filter Control Register (DCFCTL) Field Descriptions .....	131
57	Digital Compare Capture Control Register (DCCAPCTL) Field Descriptions.....	132
58	Digital Compare Counter Capture Register (DCCAP) Field Descriptions .....	133
59	Digital Compare Filter Offset Register (DCFOFFSET) Field Descriptions .....	133
60	Digital Compare Filter Offset Counter Register (DCFOFFSETCNT) Field Descriptions .....	133
61	Digital Compare Filter Window Register (DCFWINDOW) Field Descriptions.....	134
62	Digital Compare Filter Window Counter Register (DCFWINDOWCNT) Field Descriptions.....	134
63	Event-Trigger Selection Register (ETSEL) Field Descriptions .....	135
64	Event-Trigger Prescale Register (ETPS) Field Descriptions .....	136
65	Event-Trigger Flag Register (ETFLG) Field Descriptions.....	137
66	Event-Trigger Clear Register (ETCLR) Field Descriptions .....	138
67	Event-Trigger Force Register (ETFRC) Field Descriptions .....	138
68	Changes for this Revision.....	140



## Read This First

---

---

---

The Enhanced Pulse Width Modulator (ePWM) module described in this reference guide is a Type 1 ePWM. See the *TMS320x28xx, 28xxx DSP Peripheral Reference Guide* ([SPRU566](#)) for a list of all devices with a ePWM module of the same type, to determine the differences between the types, and for a list of device-specific differences within a type. This reference guide includes an overview of the module and information about each of its sub-modules:

- Time-Base Module
- Counter Compare Module
- Action Qualifier Module
- Dead-Band Generator Module
- PWM Chopper (PC) Module
- Trip Zone Module
- Event Trigger Module

ePWM Type 1 is fully compatible to the Type 0 module. Type 1 has the following enhancements in addition to the Type 0 features:

- **Increased Dead-Band Resolution**  
The dead-band clocking has been enhanced to allow half-cycle clocking to double resolution.
- **Enhanced interrupt and SOC generation**  
Interrupts and ADC start-of-conversion can now be generated on both the TBCTR == zero and TBCTR == period events. This feature enables dual edge PWM control. Additionally, the ADC start-of-conversion can be generated from an event defined in the digital compare sub-module.
- **High Resolution Period Capability**  
Provides the ability to enable high-resolution period. This is discussed in more detail in the device-specific HRPWM Reference Guide.
- **Digital Compare Sub-module**  
The digital compare sub-module enhances the event triggering and trip zone sub-modules by providing filtering, blanking and improved trip functionality to digital compare signals. Such features are essential for peak current mode control and for support of analog comparators.

### Related Documentation From Texas Instruments

The following books describe the TMS320x2802x module and related support tools that are available on the TI website:

[SPRS523](#) — **TMS320F28020, TMS320F28021, TMS320F28022, TMS320F28023, TMS320F28026, TMS320F28027 Piccolo Microcontrollers Data Manual** contains the pinout, signal descriptions, as well as electrical and timing specifications for the 2802x devices.

[SPRZ292](#) — **TMS320F28020, TMS320F28021, TMS320F28022, TMS320F28023, TMS320F28026, TMS320F28027 Piccolo MCU Silicon Errata** describes known advisories on silicon and provides workarounds.

[SPRS584](#) — **TMS320F28032, TMS320F28033, TMS320F28034, TMS320F28035 Piccolo Microcontrollers Data Manual** contains the pinout, signal descriptions, as well as electrical and timing specifications for the 2803x devices.

[SPRZ295](#) — **TMS320F28032, TMS320F28033, TMS320F28034, TMS320F28035 Piccolo MCU Silicon Errata** describes known advisories on silicon and provides workarounds.

**CPU User's Guides—**

**[SPRU430](#)** — **TMS320C28x CPU and Instruction Set Reference Guide** describes the central processing unit (CPU) and the assembly language instructions of the TMS320C28x fixed-point digital signal processors (DSPs). It also describes emulation features available on these DSPs.

**Peripheral Guides—**

**[SPRUFN3](#)** — **TMS320x2802x Piccolo System Control and Interrupts Reference Guide** describes the various interrupts and system control features of the 2802x microcontrollers (MCUs).

**[SPRUGL8](#)** — **TMS320x2803x Piccolo System Control and Interrupts Reference Guide** describes the various interrupts and system control features of the 2803x microcontrollers (MCUs).

**[SPRU566](#)** — **TMS320x28xx, 28xxx DSP Peripheral Reference Guide** describes the peripheral reference guides of the 28x digital signal processors (DSPs).

**[SPRUGO0](#)** — **TMS320x2803x Piccolo Boot ROM Reference Guide** describes the purpose and features of the bootloader (factory-programmed boot-loading software) and provides examples of code. It also describes other contents of the device on-chip boot ROM and identifies where all of the information is located within that memory.

**[SPRUFN6](#)** — **TMS320x2802x Piccolo Boot ROM Reference Guide** describes the purpose and features of the bootloader (factory-programmed boot-loading software) and provides examples of code. It also describes other contents of the device on-chip boot ROM and identifies where all of the information is located within that memory.

**[SPRUGE6](#)** — **TMS320x2803x Piccolo Control Law Accelerator (CLA) Reference Guide** describes the operation of the Control Law Accelerator (CLA).

**[SPRUGE2](#)** — **TMS320x2803x Piccolo Local Interconnect Network (LIN) Module Reference Guide** describes the operation of the Local Interconnect Network (LIN) Module.

**[SPRUFK8](#)** — **TMS320x2803x Piccolo Enhanced Quadrature Encoder Pulse (eQEP) Reference Guide** describes the operation of the Enhanced Quadrature Encoder Pulse (eQEP) module, which is used for interfacing with a linear or rotary incremental encoder to get position, direction, and speed information from a rotating machine in high performance motion and position control systems. It includes the module description on registers.

**[SPRUGL7](#)** — **TMS320x2803x Piccolo Enhanced Controller Area Network (eCAN) Reference Guide** describes the operation of the Enhanced Controller Area Network (eCAN) which uses established protocol to communicate serially with other controllers in electrically noisy environments.

**[SPRUGE5](#)** — **TMS320x2802x, 2803x Piccolo Analog-to-Digital Converter (ADC) and Comparator Reference Guide** describes how to configure and use the on-chip ADC module, which is a 12-bit pipelined ADC.

**[SPRUGE9](#)** — **TMS320x2802x, 2803x Piccolo Enhanced Pulse Width Modulator (ePWM) Module Reference Guide** describes the main areas of the enhanced pulse width modulator that include digital motor control, switch mode power supply control, UPS (uninterruptible power supplies), and other forms of power conversion.

**[SPRUGE8](#)** — **TMS320x2802x, 2803x Piccolo High-Resolution Pulse Width Modulator (HRPWM)** describes the operation of the high-resolution extension to the pulse width modulator (HRPWM).

**[SPRUGH1](#)** — **TMS320x2802x, 2803x Piccolo Serial Communications Interface (SCI) Reference Guide** describes how to use the SCI.

**[SPRUFZ8](#)** — **TMS320x2802x, 2803x Piccolo Enhanced Capture (eCAP) Module Reference Guide** describes the enhanced capture module. It includes the module description and registers.

**[SPRUG71](#)** — **TMS320x2802x, 2803x Piccolo Serial Peripheral Interface (SPI) Reference Guide** describes the SPI - a high-speed synchronous serial input/output (I/O) port - that allows a serial bit stream of programmed length (one to sixteen bits) to be shifted into and out of the device at a programmed bit-transfer rate.

[SPRUFZ9](#) — **TMS320x2802x, 2803x Piccolo Inter-Integrated Circuit (I2C) Reference Guide** describes the features and operation of the inter-integrated circuit (I2C) module.

#### Tools Guides—

[SPRU513](#) — **TMS320C28x Assembly Language Tools v5.0.0 User's Guide** describes the assembly language tools (assembler and other tools used to develop assembly language code), assembler directives, macros, common object file format, and symbolic debugging directives for the TMS320C28x device.

[SPRU514](#) — **TMS320C28x Optimizing C/C++ Compiler v5.0.0 User's Guide** describes the TMS320C28x™ C/C++ compiler. This compiler accepts ANSI standard C/C++ source code and produces TMS320 DSP assembly language source code for the TMS320C28x device.

[SPRU608](#) — **TMS320C28x Instruction Set Simulator Technical Overview** describes the simulator, available within the Code Composer Studio for TMS320C2000 IDE, that simulates the instruction set of the C28x™ core.

#### Application Reports—

[SPRAAM0](#) — **Getting Started With TMS320C28x Digital Signal Controllers** is organized by development flow and functional areas to make your design effort as seamless as possible. Tips on getting started with C28x™ DSP software and hardware development are provided to aid in your initial design and debug efforts. Each section includes pointers to valuable information including technical documentation, software, and tools for use in each phase of design.

[SPRAAD5](#) — **Power Line Communication for Lighting Applications Using Binary Phase Shift Keying (BPSK) with a Single DSP Controller** presents a complete implementation of a power line modem following CEA-709 protocol using a single DSP.

[SPRAA85](#) — **Programming TMS320x28xx and 28xxx Peripherals in C/C++** explores a hardware abstraction layer implementation to make C/C++ coding easier on 28x DSPs. This method is compared to traditional #define macros and topics of code efficiency and special case registers are also addressed.

[SPRA958](#) — **Running an Application from Internal Flash Memory on the TMS320F28xxx DSP** covers the requirements needed to properly configure application software for execution from on-chip flash memory. Requirements for both DSP/BIOS™ and non-DSP/BIOS projects are presented. Example code projects are included.

[SPRAA91](#) — **TMS320F280x Digital Signal Controller USB Connectivity Using the TUSB3410 USB-to-UART Bridge Chip** presents hardware connections as well as software preparation and operation of the development system using a simple communication echo program.

[SPRAAD8](#) — **TMS320x280x and TMS320F2801x ADC Calibration** describes a method for improving the absolute accuracy of the 12-bit ADC found on the TMS320x280x and TMS320F2801x devices. Inherent gain and offset errors affect the absolute accuracy of the ADC. The methods described in this report can improve the absolute accuracy of the ADC to levels better than 0.5%. This application report has an option to download an example program that executes from RAM on the F2808 EzDSP.

[SPRAAI1](#) — **Using the ePWM Module for 0% – 100% Duty Cycle Control** provides a guide for the use of the ePWM module to provide 0% to 100% duty cycle control and is applicable to the TMS320x280x family of processors.

[SPRAA88](#) — **Using PWM Output as a Digital-to-Analog Converter on a TMS320F280x Digital Signal Controller** presents a method for utilizing the on-chip pulse width modulated (PWM) signal generators on the TMS320F280x family of digital signal controllers as a digital-to-analog converter (DAC).

[SPRAAH1](#) — **Using the Enhanced Quadrature Encoder Pulse (eQEP) Module in TMS320x280x, 28xxx as a Dedicated Capture** provides a guide for the use of the eQEP module as a dedicated capture unit and is applicable to the TMS320x280x, 28xxx family of processors.

[SPRA820](#) — **Online Stack Overflow Detection on the TMS320C28x DSP** presents the methodology for online stack overflow detection on the TMS320C28x DSP. C-source code is provided that contains functions for implementing the overflow detection on both DSP/BIOS and non-DSP/BIOS applications.

[SPRA806](#) — **An Easy Way of Creating a C-callable Assembly Function for the TMS320C28x DSP** provides instructions and suggestions to configure the C compiler to assist with C-callable assembly routines.

# TMS320x2802x, 2803x Piccolo Enhanced Pulse Width Modulator (ePWM) Module

---

---

---

The enhanced pulse width modulator (ePWM) peripheral is a key element in controlling many of the power electronic systems found in both commercial and industrial equipments. These systems include digital motor control, switch mode power supply control, uninterruptible power supplies (UPS), and other forms of power conversion. The ePWM peripheral performs a digital to analog (DAC) function, where the duty cycle is equivalent to a DAC analog value; it is sometimes referred to as a Power DAC.

This reference guide is applicable for ePWM type 1. See the *TMS320x28xx, 28xxx DSP Peripheral Reference Guide* ([SPRU566](#)) for a list of all devices with an ePWM module of the same type, to determine the differences between the types, and for a list of device-specific differences within a type.

## 1 Introduction

An effective PWM peripheral must be able to generate complex pulse width waveforms with minimal CPU overhead or intervention. It needs to be highly programmable and very flexible while being easy to understand and use. The ePWM unit described here addresses these requirements by allocating all needed timing and control resources on a per PWM channel basis. Cross coupling or sharing of resources has been avoided; instead, the ePWM is built up from smaller single channel modules with separate resources that can operate together as required to form a system. This modular approach results in an orthogonal architecture and provides a more transparent view of the peripheral structure, helping users to understand its operation quickly.

In this document the letter x within a signal or module name is used to indicate a generic ePWM instance on a device. For example output signals EPWMxA and EPWMxB refer to the output signals from the ePWMx instance. Thus, EPWM1A and EPWM1B belong to ePWM1 and likewise EPWM4A and EPWM4B belong to ePWM4.

### 1.1 Submodule Overview

The ePWM module represents one complete PWM channel composed of two PWM outputs: EPWMxA and EPWMxB. Multiple ePWM modules are instantiated within a device as shown in [Figure 1](#). Each ePWM instance is identical with one exception. Some instances include a hardware extension that allows more precise control of the PWM outputs. This extension is the high-resolution pulse width modulator (HRPWM) and is described in the device-specific *High-Resolution Pulse Width Modulator (HRPWM) Reference Guide*. See the device-specific data manual to determine which ePWM instances include this feature. Each ePWM module is indicated by a numerical value starting with 1. For example ePWM1 is the first instance and ePWM3 is the 3rd instance in the system and ePWMx indicates any instance.

The ePWM modules are chained together via a clock synchronization scheme that allows them to operate as a single system when required. Additionally, this synchronization scheme can be extended to the capture peripheral modules (eCAP). The number of modules is device-dependent and based on target application needs. Modules can also operate stand-alone.

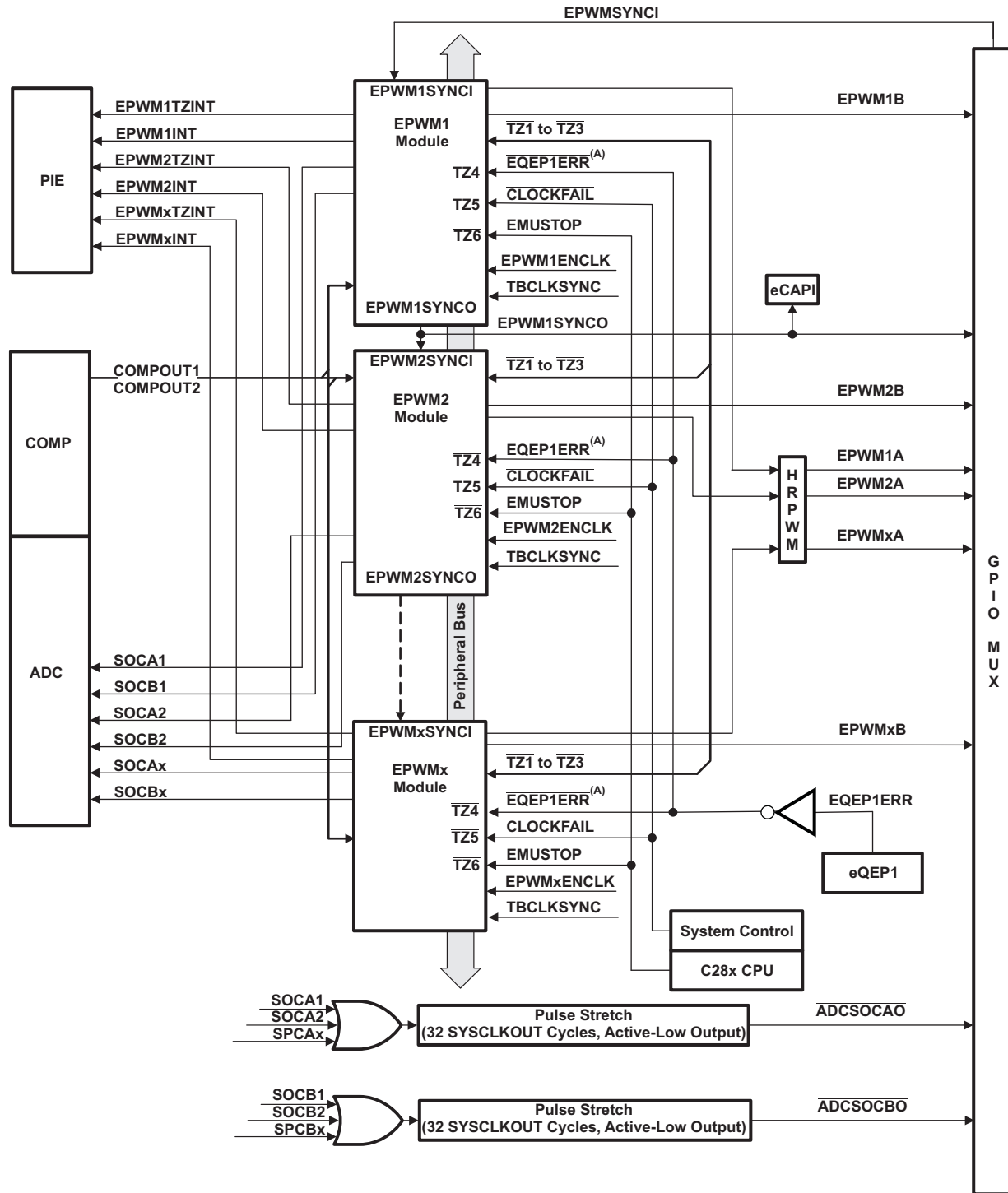
Each ePWM module supports the following features:

- Dedicated 16-bit time-base counter with period and frequency control
- Two PWM outputs (EPWMxA and EPWMxB) that can be used in the following configurations:
  - Two independent PWM outputs with single-edge operation
  - Two independent PWM outputs with dual-edge symmetric operation
  - One independent PWM output with dual-edge asymmetric operation

- Asynchronous override control of PWM signals through software.
- Programmable phase-control support for lag or lead operation relative to other ePWM modules.
- Hardware-locked (synchronized) phase relationship on a cycle-by-cycle basis.
- Dead-band generation with independent rising and falling edge delay control.
- Programmable trip zone allocation of both cycle-by-cycle trip and one-shot trip on fault conditions.
- A trip condition can force either high, low, or high-impedance state logic levels at PWM outputs.
- Comparator module outputs and trip zone inputs can generate events, filtered events, or trip conditions.
- All events can trigger both CPU interrupts and ADC start of conversion (SOC)
- Programmable event prescaling minimizes CPU overhead on interrupts.
- PWM chopping by high-frequency carrier signal, useful for pulse transformer gate drives.

Each ePWM module is connected to the input/output signals shown in [Figure 1](#). The signals are described in detail in subsequent sections.

Figure 1. Multiple ePWM Modules



A This signal exists only on devices with an eQEP1 module.

The order in which the ePWM modules are connected may differ from what is shown in Figure 1. See Section 2.2.3.3 for the synchronization scheme for a particular device. Each ePWM module consists of eight submodules and is connected within a system via the signals shown in Figure 2.

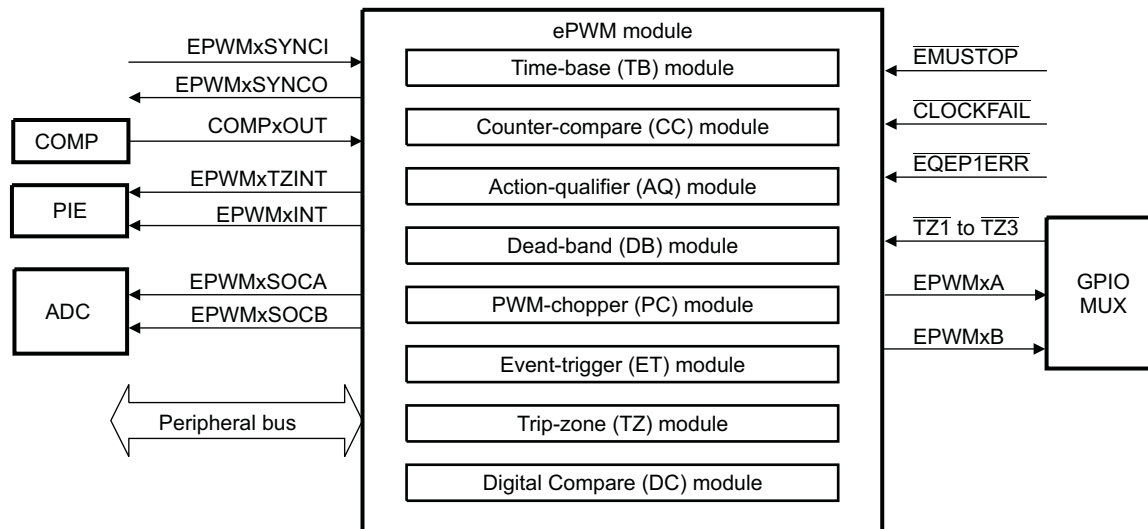
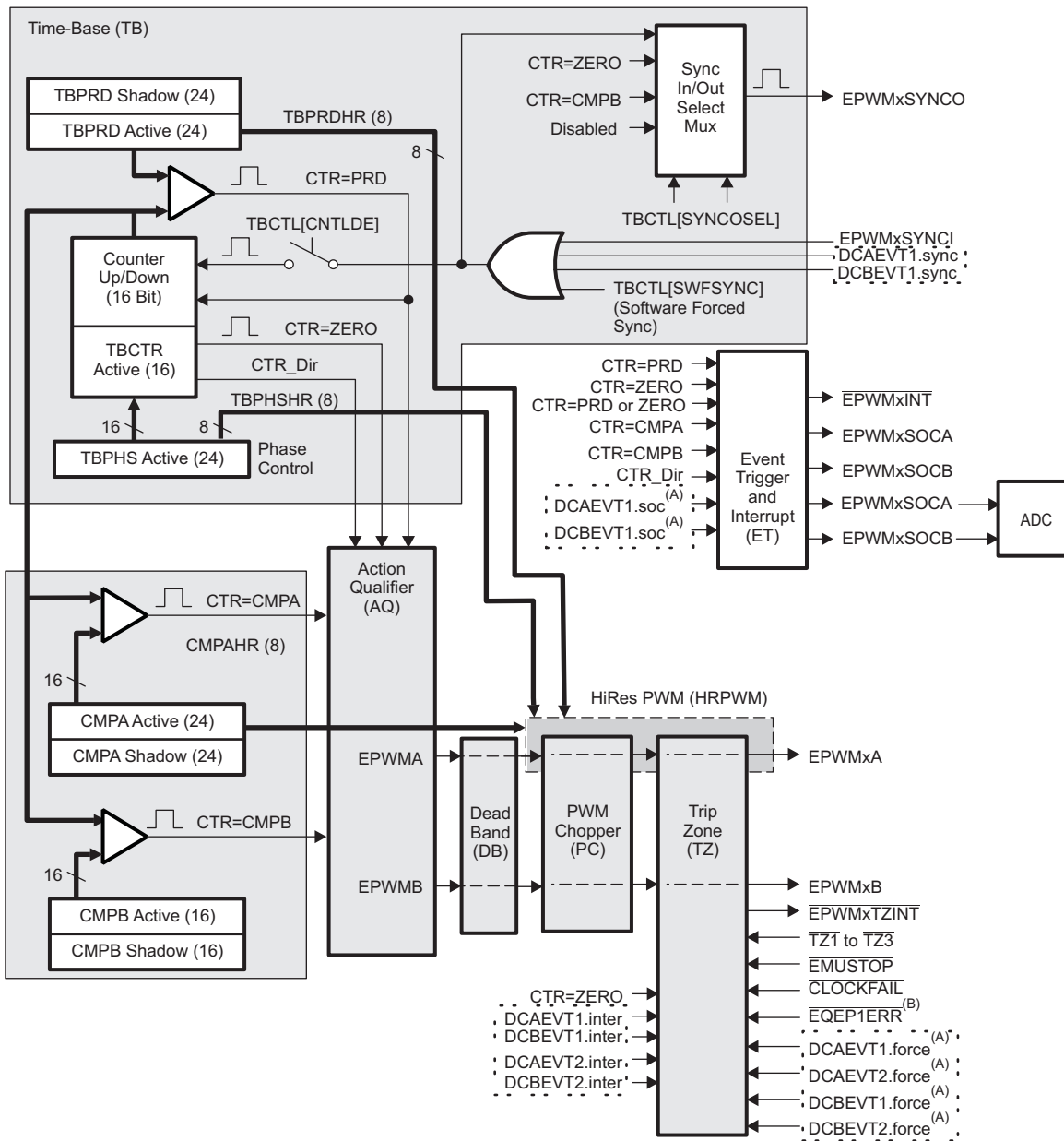
**Figure 2. Submodules and Signal Connections for an ePWM Module**


Figure 3 shows more internal details of a single ePWM module. The main signals used by the ePWM module are:

- PWM output signals (EPWMxA and EPWMxB).**  
 The PWM output signals are made available external to the device through the GPIO peripheral described in the system control and interrupts guide for your device.
- Trip-zone signals ( $\overline{TZ1}$  to  $\overline{TZ6}$ ).**  
 These input signals alert the ePWM module of fault conditions external to the ePWM module. Each module on a device can be configured to either use or ignore any of the trip-zone signals. The  $\overline{TZ1}$  to  $\overline{TZ3}$  trip-zone signals can be configured as asynchronous inputs through the GPIO peripheral.  $\overline{TZ4}$  is connected to an inverted EQEP1 error signal (EQEP1ERR) from the EQEP1 module (for those devices with an EQEP1 module).  $\overline{TZ5}$  is connected to the system clock fail logic, and  $\overline{TZ6}$  is connected to the EMUSTOP output from the CPU. This allows you to configure a trip action when the clock fails or the CPU halts.
- Time-base synchronization input (EPWMxSYNCI) and output (EPWMxSYNCO) signals.**  
 The synchronization signals daisy chain the ePWM modules together. Each module can be configured to either use or ignore its synchronization input. The clock synchronization input and output signal are brought out to pins only for ePWM1 (ePWM module #1). The synchronization output for ePWM1 (EPWM1SYNCO) is also connected to the SYNCI of the first enhanced capture module (eCAP1).
- ADC start-of-conversion signals (EPWMxSOCA and EPWMxSOCB).**  
 Each ePWM module has two ADC start of conversion signals. Any ePWM module can trigger a start of conversion. Which event triggers the start of conversion is configured in the Event-Trigger submodule of the ePWM.
- Comparator output signals (COMPxOUT).**  
 Output signals from the comparator module in conjunction with the trip zone signals can generate digital compare events.
- Peripheral Bus**  
 The peripheral bus is 32-bits wide and allows both 16-bit and 32-bit writes to the ePWM register file.



Figure 3. ePWM Submodules and Critical Internal Signal Interconnects



- A These events are generated by the type 1 ePWM digital compare (DC) submodule based on the levels of the COMPxOUT and TZ signals.
- B This signal exists only on devices with in eQEP1 module

Figure 3 also shows the key internal submodule interconnect signals. Each submodule is described in detail in its respective section.

## 1.2 Register Mapping

The complete ePWM module control and status register set is grouped by submodule as shown in Table 1. Each register set is duplicated for each instance of the ePWM module. The start address for each ePWM register file instance on a device is specified in the appropriate data manual.

**Table 1. ePWM Module Control and Status Register Set Grouped by Submodule**

Name	Offset ( <sup>1</sup> )	Size (x16)	Shadow	EALLOW	Description
<b>Time-Base Submodule Registers</b>					
TBCTL	0x0000	1	No		Time-Base Control Register
TBSTS	0x0001	1	No		Time-Base Status Register
TBPHSHR	0x0002	1	No		Extension for HRPWM Phase Register <sup>(2)</sup>
TBPHS	0x0003	1	No		Time-Base Phase Register
TBCTR	0x0004	1	No		Time-Base Counter Register
TBPRD	0x0005	1	Yes		Time-Base Period Register
TBPRDHR	0x0006	1	Yes		Time Base Period High Resolution Register <sup>(3)</sup>
<b>Counter-Compare Submodule Registers</b>					
CMPCTL	0x0007	1	No		Counter-Compare Control Register
CMPAHR	0x0008	1	Yes		Extension for HRPWM Counter-Compare A Register <sup>(2)</sup>
CMPA	0x0009	1	Yes		Counter-Compare A Register
CMPB	0x000A	1	Yes		Counter-Compare B Register
<b>Action-Qualifier Submodule Registers</b>					
AQCTLA	0x000B	1	No		Action-Qualifier Control Register for Output A (EPWMxA)
AQCTLB	0x000C	1	No		Action-Qualifier Control Register for Output B (EPWMxB)
AQSFRC	0x000D	1	No		Action-Qualifier Software Force Register
AQCSFRC	0x000E	1	Yes		Action-Qualifier Continuous S/W Force Register Set
<b>Dead-Band Generator Submodule Registers</b>					
DBCTL	0x000F	1	No		Dead-Band Generator Control Register
DBRED	0x0010	1	No		Dead-Band Generator Rising Edge Delay Count Register
DBFED	0x0011	1	No		Dead-Band Generator Falling Edge Delay Count Register
<b>Trip-Zone Submodule Registers</b>					
TZSEL	0x0012	1		Yes	Trip-Zone Select Register
TZDCSEL	0x0013	1		Yes	Trip Zone Digital Compare Select Register
TZCTL	0x0014	1		Yes	Trip-Zone Control Register <sup>(3)</sup>
TZEINT	0x0015	1		Yes	Trip-Zone Enable Interrupt Register <sup>(3)</sup>
TZFLG	0x0016	1			Trip-Zone Flag Register <sup>(3)</sup>
TZCLR	0x0017	1		Yes	Trip-Zone Clear Register <sup>(3)</sup>
TZFRC	0x0018	1		Yes	Trip-Zone Force Register <sup>(3)</sup>
<b>Event-Trigger Submodule Registers</b>					
ETSEL	0x0019	1			Event-Trigger Selection Register
ETPS	0x001A	1			Event-Trigger Pre-Scale Register
ETFLG	0x001B	1			Event-Trigger Flag Register
ETCLR	0x001C	1			Event-Trigger Clear Register
ETFRC	0x001D	1			Event-Trigger Force Register
<b>PWM-Chopper Submodule Registers</b>					
PCCTL	0x001E	1			PWM-Chopper Control Register
<b>High-Resolution Pulse Width Modulator (HRPWM) Extension Registers</b>					
HRCNFG	0x0020	1		Yes	HRPWM Configuration Register <sup>(2)</sup> <sup>(3)</sup>
HRPWR	0x0021	1		Yes	HRPWM Power Register <sup>(3)</sup> <sup>(4)</sup>

<sup>(1)</sup> Locations not shown are reserved.

<sup>(2)</sup> These registers are only available on ePWM instances that include the high-resolution PWM extension. Otherwise these locations are reserved. These registers are described in the device-specific *High-Resolution Pulse Width Modulator (HRPWM) Reference Guide*. See the device specific data manual to determine which instances include the HRPWM.

<sup>(3)</sup> EALLOW protected registers as described in the specific device version of the *System Control and Interrupts Reference Guide* listed in [Related Documentation From Texas Instruments](#).

<sup>(4)</sup> These registers only exist in the ePWM1 register space. They cannot be accessed from any other ePWM module's register space.

**Table 1. ePWM Module Control and Status Register Set Grouped by Submodule (continued)**

Name	Offset ( <sup>1</sup> )	Size (x16)	Shadow	EALLOW	Description
HRMSTEP	0x0026	1		Yes	HRPWM MEP Step Register <sup>(3) (4)</sup>
HRPCTL	0x0028	1		Yes	High Resolution Period Control Register <sup>(3)</sup>
TBPRDHRM	0x002A	1	Writes		Time Base Period High Resolution Register Mirror <sup>(3)</sup>
TBPRDM	0x002B	1	Writes		Time Base Period Register Mirror
CMPAHRM	0x002C	1	Writes		Compare A High Resolution Register Mirror <sup>(3)</sup>
CMPAM	0x002D	1	Writes		Compare A Register Mirror
<b>Digital Compare Event Registers</b>					
DCTRIPESEL	0x0030	1		Yes	Digital Compare Trip Select Register
DCACTL	0x0031	1		Yes	Digital Compare A Control Register
DCBCTL	0x0032	1		Yes	Digital Compare B Control Register
DCFCTL	0x0033	1		Yes	Digital Compare Filter Control Register
DCCAPCTL	0x0034	1		Yes	Digital Compare Capture Control Register
DCFOFFSET	0x0035	1	Writes		Digital Compare Filter Offset Register
DCFOFFSETCNT	0x0036	1			Digital Compare Filter Offset Counter Register
DCFWINDOW	0x0037	1			Digital Compare Filter Window Register
DCFWINDOWCNT	0x0038	1			Digital Compare Filter Window Counter Register
DCCAP	0x0039	1	Yes		Digital Compare Counter Capture Register

The CMPA, CMPAHR, TBPRD, and TBPRDHR registers are mirrored in the register map (Mirror registers include an "-M" suffix - CMPAM, CMPAHRM, TBPRDM, and TBPRDHRM). Note in the tables below, that in both Immediate mode and Shadow mode, reads from these mirror registers result in the active value of the register or a TI internal test value.

In Immediate Mode:

Register	Offset	Write	Read	Register	Offset	Write	Read
TBPRDHR	0x06	Active	Active	TBPRDHRM	0x2A	Active	TI_Internal
TBPRD	0x05	Active	Active	TBPRDM	0x2B	Active	Active
CMPAHR	0x08	Active	Active	CMPAHRM	0x2C	Active	TI_Internal
CMPA	0x09	Active	Active	CMPAM	0x2D	Active	Active

In Shadow Mode:

Register	Offset	Write	Read	Register	Offset	Write	Read
TBPRDHR	0x06	Shadow	Shadow	TBPRDHRM	0x2A	Shadow	TI_Internal
TBPRD	0x05	Shadow	Shadow	TBPRDM	0x2B	Shadow	Active
CMPAHR	0x08	Shadow	Shadow	CMPAHRM	0x2C	Shadow	TI_Internal
CMPA	0x09	Shadow	Shadow	CMPAM	0x2D	Shadow	Active

## 2 ePWM Submodules

Eight submodules are included in every ePWM peripheral. Each of these submodules performs specific tasks that can be configured by software.

### 2.1 Overview

[Table 2](#) lists the eight key submodules together with a list of their main configuration parameters. For example, if you need to adjust or control the duty cycle of a PWM waveform, then you should see the counter-compare submodule in [Section 2.3](#) for relevant details.

**Table 2. Submodule Configuration Parameters**

Submodule	Configuration Parameter or Option
Time-base (TB)	<ul style="list-style-type: none"> <li>• Scale the time-base clock (TBCLK) relative to the system clock (SYSCLKOUT).</li> <li>• Configure the PWM time-base counter (TBCTR) frequency or period.</li> <li>• Set the mode for the time-base counter: <ul style="list-style-type: none"> <li>– count-up mode: used for asymmetric PWM</li> <li>– count-down mode: used for asymmetric PWM</li> <li>– count-up-and-down mode: used for symmetric PWM</li> </ul> </li> <li>• Configure the time-base phase relative to another ePWM module.</li> <li>• Synchronize the time-base counter between modules through hardware or software.</li> <li>• Configure the direction (up or down) of the time-base counter after a synchronization event.</li> <li>• Configure how the time-base counter will behave when the device is halted by an emulator.</li> <li>• Specify the source for the synchronization output of the ePWM module: <ul style="list-style-type: none"> <li>– Synchronization input signal</li> <li>– Time-base counter equal to zero</li> <li>– Time-base counter equal to counter-compare B (CMPB)</li> <li>– No output synchronization signal generated.</li> </ul> </li> </ul>
Counter-compare (CC)	<ul style="list-style-type: none"> <li>• Specify the PWM duty cycle for output EPWMxA and/or output EPWMxB</li> <li>• Specify the time at which switching events occur on the EPWMxA or EPWMxB output</li> </ul>
Action-qualifier (AQ)	<ul style="list-style-type: none"> <li>• Specify the type of action taken when a time-base or counter-compare submodule event occurs: <ul style="list-style-type: none"> <li>– No action taken</li> <li>– Output EPWMxA and/or EPWMxB switched high</li> <li>– Output EPWMxA and/or EPWMxB switched low</li> <li>– Output EPWMxA and/or EPWMxB toggled</li> </ul> </li> <li>• Force the PWM output state through software control</li> <li>• Configure and control the PWM dead-band through software</li> </ul>
Dead-band (DB)	<ul style="list-style-type: none"> <li>• Control of traditional complementary dead-band relationship between upper and lower switches</li> <li>• Specify the output rising-edge-delay value</li> <li>• Specify the output falling-edge delay value</li> <li>• Bypass the dead-band module entirely. In this case the PWM waveform is passed through without modification.</li> <li>• Option to enable half-cycle clocking for double resolution.</li> </ul>
PWM-chopper (PC)	<ul style="list-style-type: none"> <li>• Create a chopping (carrier) frequency.</li> <li>• Pulse width of the first pulse in the chopped pulse train.</li> <li>• Duty cycle of the second and subsequent pulses.</li> <li>• Bypass the PWM-chopper module entirely. In this case the PWM waveform is passed through without modification.</li> </ul>

**Table 2. Submodule Configuration Parameters (continued)**

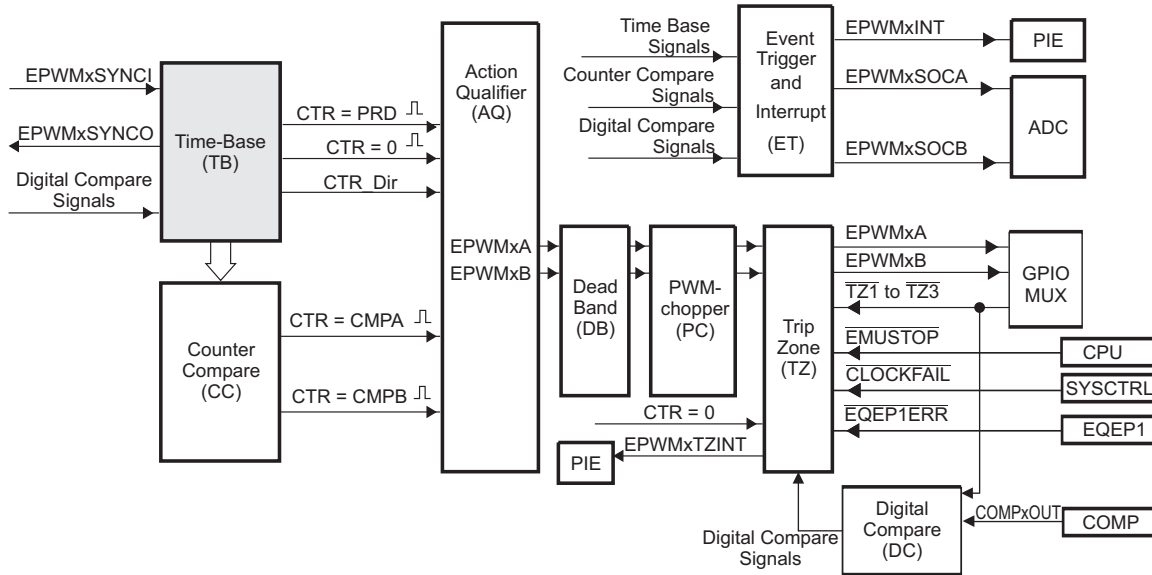
Submodule	Configuration Parameter or Option
Trip-zone (TZ)	<ul style="list-style-type: none"> <li>• Configure the ePWM module to react to one, all, or none of the trip-zone signals or digital compare events.</li> <li>• Specify the tripping action taken when a fault occurs: <ul style="list-style-type: none"> <li>– Force EPWMxA and/or EPWMxB high</li> <li>– Force EPWMxA and/or EPWMxB low</li> <li>– Force EPWMxA and/or EPWMxB to a high-impedance state</li> <li>– Configure EPWMxA and/or EPWMxB to ignore any trip condition.</li> </ul> </li> <li>• Configure how often the ePWM will react to each trip-zone signal: <ul style="list-style-type: none"> <li>– One-shot</li> <li>– Cycle-by-cycle</li> </ul> </li> <li>• Enable the trip-zone to initiate an interrupt.</li> <li>• Bypass the trip-zone module entirely.</li> </ul>
Event-trigger (ET)	<ul style="list-style-type: none"> <li>• Enable the ePWM events that will trigger an interrupt.</li> <li>• Enable ePWM events that will trigger an ADC start-of-conversion event.</li> <li>• Specify the rate at which events cause triggers (every occurrence or every second or third occurrence)</li> <li>• Poll, set, or clear event flags</li> </ul>
Digital-compare (DC)	<ul style="list-style-type: none"> <li>• Enables comparator (COMP) module outputs and trip zone signals to create events and filtered events</li> <li>• Specify event-filtering options to capture TBCTR counter or generate blanking window</li> </ul>

Code examples are provided in the remainder of this document that show how to implement various ePWM module configurations. These examples use the constant definitions in the device *EPwm\_defines.h* file in the device-specific header file and peripheral examples software package.

## 2.2 Time-Base (TB) Submodule

Each ePWM module has its own time-base submodule that determines all of the event timing for the ePWM module. Built-in synchronization logic allows the time-base of multiple ePWM modules to work together as a single system. Figure 4 illustrates the time-base module's place within the ePWM.

**Figure 4. Time-Base Submodule Block Diagram**



### 2.2.1 Purpose of the Time-Base Submodule

You can configure the time-base submodule for the following:

- Specify the ePWM time-base counter (TBCTR) frequency or period to control how often events occur.
- Manage time-base synchronization with other ePWM modules.
- Maintain a phase relationship with other ePWM modules.
- Set the time-base counter to count-up, count-down, or count-up-and-down mode.
- Generate the following events:
  - CTR = PRD: Time-base counter equal to the specified period (TBCTR = TBPRD) .
  - CTR = Zero: Time-base counter equal to zero (TBCTR = 0x0000).
- Configure the rate of the time-base clock; a prescaled version of the CPU system clock (SYSCLKOUT). This allows the time-base counter to increment/decrement at a slower rate.

### 2.2.2 Controlling and Monitoring the Time-base Submodule

Table 3 shows the registers used to control and monitor the time-base submodule.

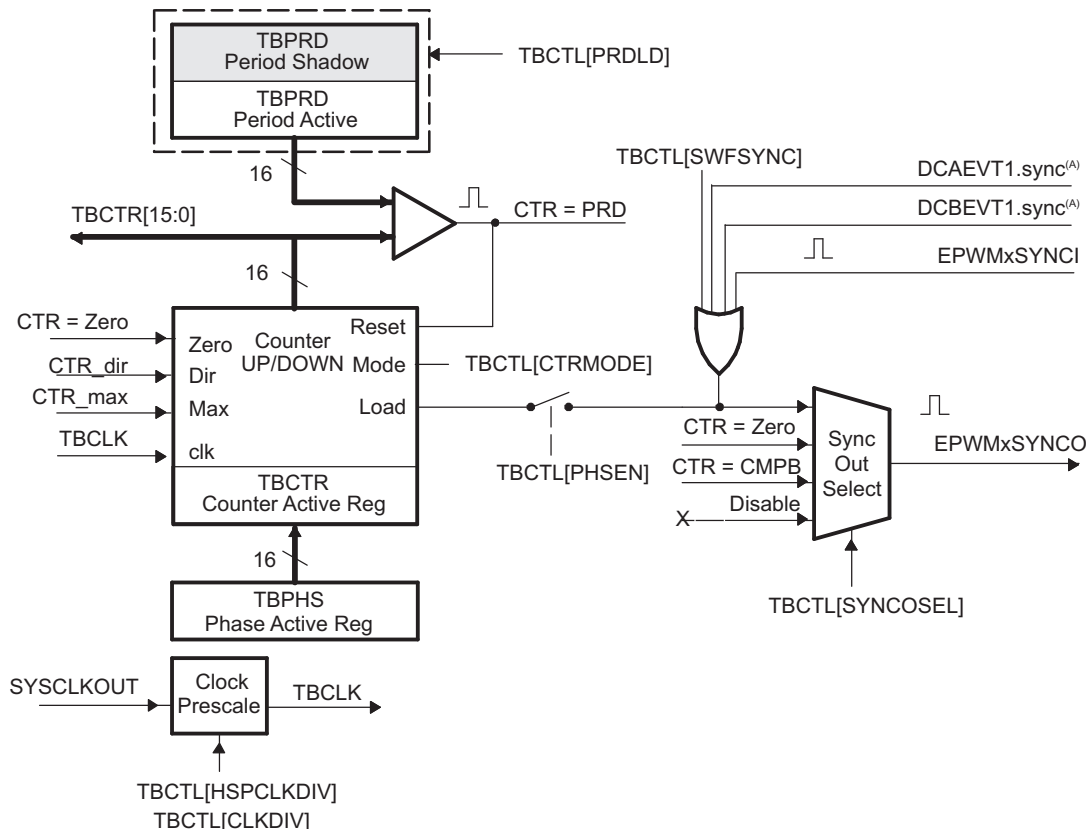
**Table 3. Time-Base Submodule Registers**

Register	Address offset	Shadowed	Description
TBCTL	0x0000	No	Time-Base Control Register
TBSTS	0x0001	No	Time-Base Status Register
TBPHSHR	0x0002	No	HRPWM Extension Phase Register <sup>(1)</sup>
TBPHS	0x0003	No	Time-Base Phase Register
TBCTR	0x0004	No	Time-Base Counter Register
TBPRD	0x0005	Yes	Time-Base Period Register
TBPRDHR	0x0006	Yes	HRPWM Extension Period Register <sup>(1)</sup>
TBPRDHRM	0x002A	Yes	HRPWM Time-Base Period Extension Mirror Register <sup>(1)</sup>
TBPRDM	0x002B	Yes	HRPWM Extension Period Mirror Register <sup>(1)</sup>

<sup>(1)</sup> This register is available only on ePWM instances that include the high-resolution extension (HRPWM). On ePWM modules that do not include the HRPWM, this location is reserved. This register is described in the device-specific High-Resolution Pulse Width Modulator (HRPWM) Reference Guide. See the device specific data manual to determine which ePWM instances include this feature.

The block diagram in Figure 5 shows the critical signals and registers of the time-base submodule. Table 4 provides descriptions of the key signals associated with the time-base submodule.

**Figure 5. Time-Base Submodule Signals and Registers**



A. These signals are generated by the digital compare (DC) submodule.

**Table 4. Key Time-Base Signals**

Signal	Description
EPWMxSYNCI	Time-base synchronization input.  Input pulse used to synchronize the time-base counter with the counter of ePWM module earlier in the synchronization chain. An ePWM peripheral can be configured to use or ignore this signal. For the first ePWM module (EPWM1) this signal comes from a device pin. For subsequent ePWM modules this signal is passed from another ePWM peripheral. For example, EPWM2SYNCI is generated by the ePWM1 peripheral, EPWM3SYNCI is generated by ePWM2 and so forth. See <a href="#">Section 2.2.3.3</a> for information on the synchronization order of a particular device.
EPWMxSYNCO	Time-base synchronization output.  This output pulse is used to synchronize the counter of an ePWM module later in the synchronization chain. The ePWM module generates this signal from one of three event sources: <ol style="list-style-type: none"> <li>1. EPWMxSYNCI (Synchronization input pulse)</li> <li>2. CTR = Zero: The time-base counter equal to zero (TBCTR = 0x0000).</li> <li>3. CTR = CMPB: The time-base counter equal to the counter-compare B (TBCTR = CMPB) register.</li> </ol>
CTR = PRD	Time-base counter equal to the specified period.  This signal is generated whenever the counter value is equal to the active period register value. That is when TBCTR = TBPRD.
CTR = Zero	Time-base counter equal to zero  This signal is generated whenever the counter value is zero. That is when TBCTR equals 0x0000.
CTR = CMPB	Time-base counter equal to active counter-compare B register (TBCTR = CMPB).  This event is generated by the counter-compare submodule and used by the synchronization out logic
CTR_dir	Time-base counter direction.  Indicates the current direction of the ePWM's time-base counter. This signal is high when the counter is increasing and low when it is decreasing.
CTR_max	Time-base counter equal max value. (TBCTR = 0xFFFF)  Generated event when the TBCTR value reaches its maximum value. This signal is only used only as a status bit
TBCLK	Time-base clock.  This is a prescaled version of the system clock (SYSCLKOUT) and is used by all submodules within the ePWM. This clock determines the rate at which time-base counter increments or decrements.

### 2.2.3 Calculating PWM Period and Frequency

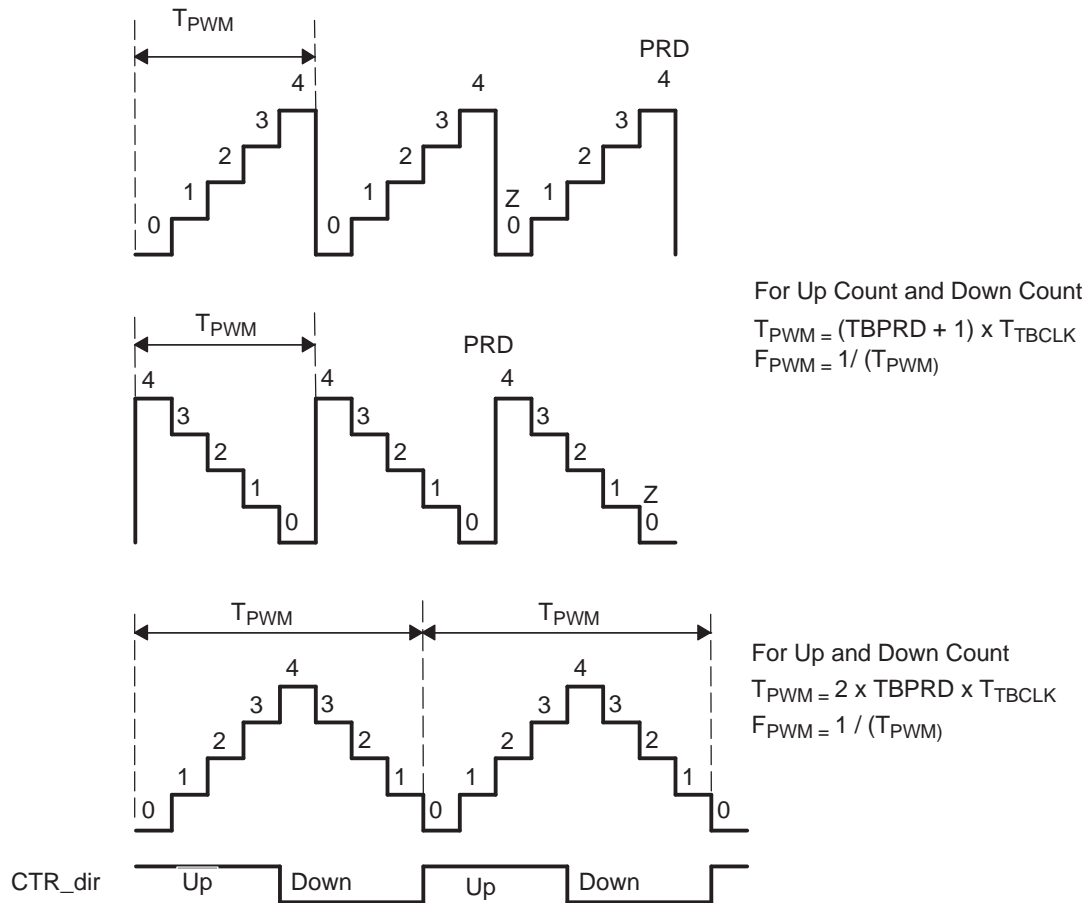
The frequency of PWM events is controlled by the time-base period (TBPRD) register and the mode of the time-base counter. [Figure 6](#) shows the period ( $T_{pwm}$ ) and frequency ( $F_{pwm}$ ) relationships for the up-count, down-count, and up-down-count time-base counter modes when when the period is set to 4 (TBPRD = 4). The time increment for each step is defined by the time-base clock (TBCLK) which is a prescaled version of the system clock (SYSCLKOUT).

The time-base counter has three modes of operation selected by the time-base control register (TBCTL):

- Up-Down-Count Mode:**  
 In up-down-count mode, the time-base counter starts from zero and increments until the period (TBPRD) value is reached. When the period value is reached, the time-base counter then decrements until it reaches zero. At this point the counter repeats the pattern and begins to increment.
- Up-Count Mode:**  
 In this mode, the time-base counter starts from zero and increments until it reaches the value in the period register (TBPRD). When the period value is reached, the time-base counter resets to zero and begins to increment once again.
- Down-Count Mode:**  
 In down-count mode, the time-base counter starts from the period (TBPRD) value and decrements until it reaches zero. When it reaches zero, the time-base counter is reset to the period value and it begins to decrement once again.



Figure 6. Time-Base Frequency and Period



### 2.2.3.1 Time-Base Period Shadow Register

The time-base period register (TBPRD) has a shadow register. Shadowing allows the register update to be synchronized with the hardware. The following definitions are used to describe all shadow registers in the ePWM module:

- **Active Register**

The active register controls the hardware and is responsible for actions that the hardware causes or invokes.

- **Shadow Register**

The shadow register buffers or provides a temporary holding location for the active register. It has no direct effect on any control hardware. At a strategic point in time the shadow register's content is transferred to the active register. This prevents corruption or spurious operation due to the register being asynchronously modified by software.

The memory address of the shadow period register is the same as the active register. Which register is written to or read from is determined by the TBCTL[PRDL] bit. This bit enables and disables the TBPRD shadow register as follows:

- **Time-Base Period Shadow Mode:**

The TBPRD shadow register is enabled when TBCTL[PRDL] = 0. Reads from and writes to the TBPRD memory address go to the shadow register. The shadow register contents are transferred to the active register (TBPRD (Active) ← TBPRD (shadow)) when the time-base counter equals zero (TBCTR = 0x0000). By default the TBPRD shadow register is enabled.

- **Time-Base Period Immediate Load Mode:**

If immediate load mode is selected (TBCTL[PRDL] = 1), then a read from or a write to the TBPRD

memory address goes directly to the active register.

### 2.2.3.2 Time-Base Clock Synchronization

The TBCLKSYNC bit in the peripheral clock enable registers allows all users to globally synchronize all enabled ePWM modules to the time-base clock (TBCLK). When set, all enabled ePWM module clocks are started with the first rising edge of TBCLK aligned. For perfectly synchronized TBCLKs, the prescalers for each ePWM module must be set identically.

The proper procedure for enabling ePWM clocks is as follows:

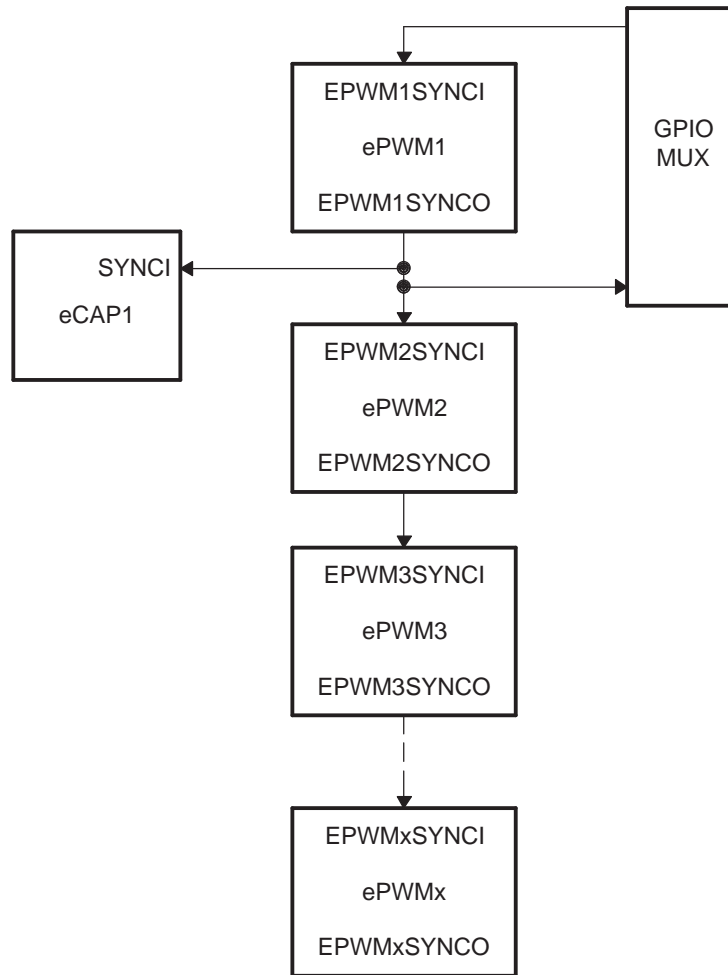
1. Enable ePWM module clocks in the PCLKCRx register
2. Set TBCLKSYNC= 0
3. Configure ePWM modules
4. Set TBCLKSYNC=1

### 2.2.3.3 Time-Base Counter Synchronization

A time-base synchronization scheme connects all of the ePWM modules on a device. Each ePWM module has a synchronization input (EPWMxSYNCl) and a synchronization output (EPWMxSYNCO). The input synchronization for the first instance (ePWM1) comes from an external pin. The possible synchronization connections for the remaining ePWM modules are shown in [Figure 7](#), [Figure 8](#), and [Figure 9](#).

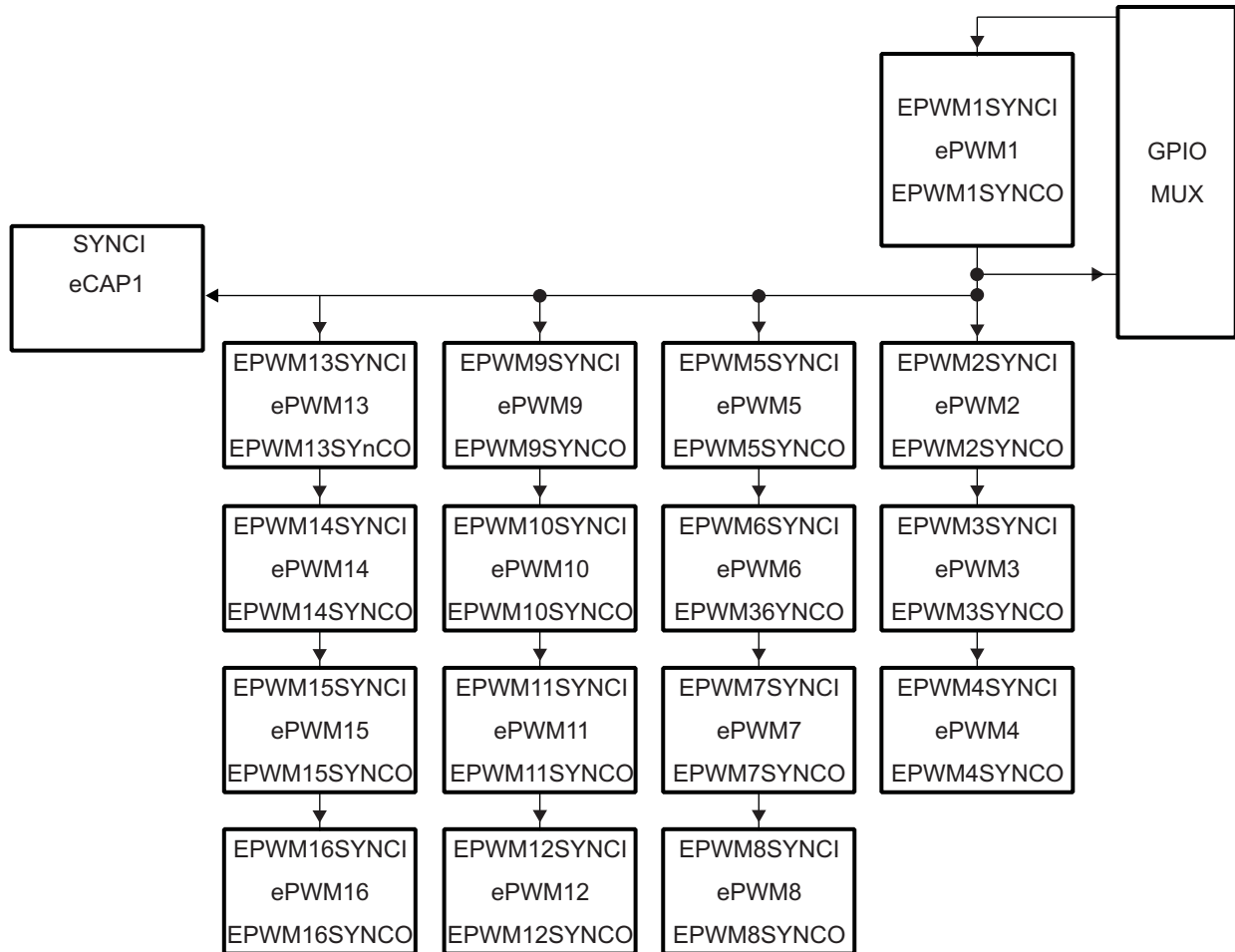
Scheme 1 shown in [Figure 7](#) applies to the 280x, 2801x, 2802x, and 2803x devices. Scheme 1 also applies to the 2804x devices when the ePWM pinout is configured for 280x compatible mode (GPAMCFG[EPWMMODE] = 0).

Figure 7. Time-Base Counter Synchronization Scheme 1



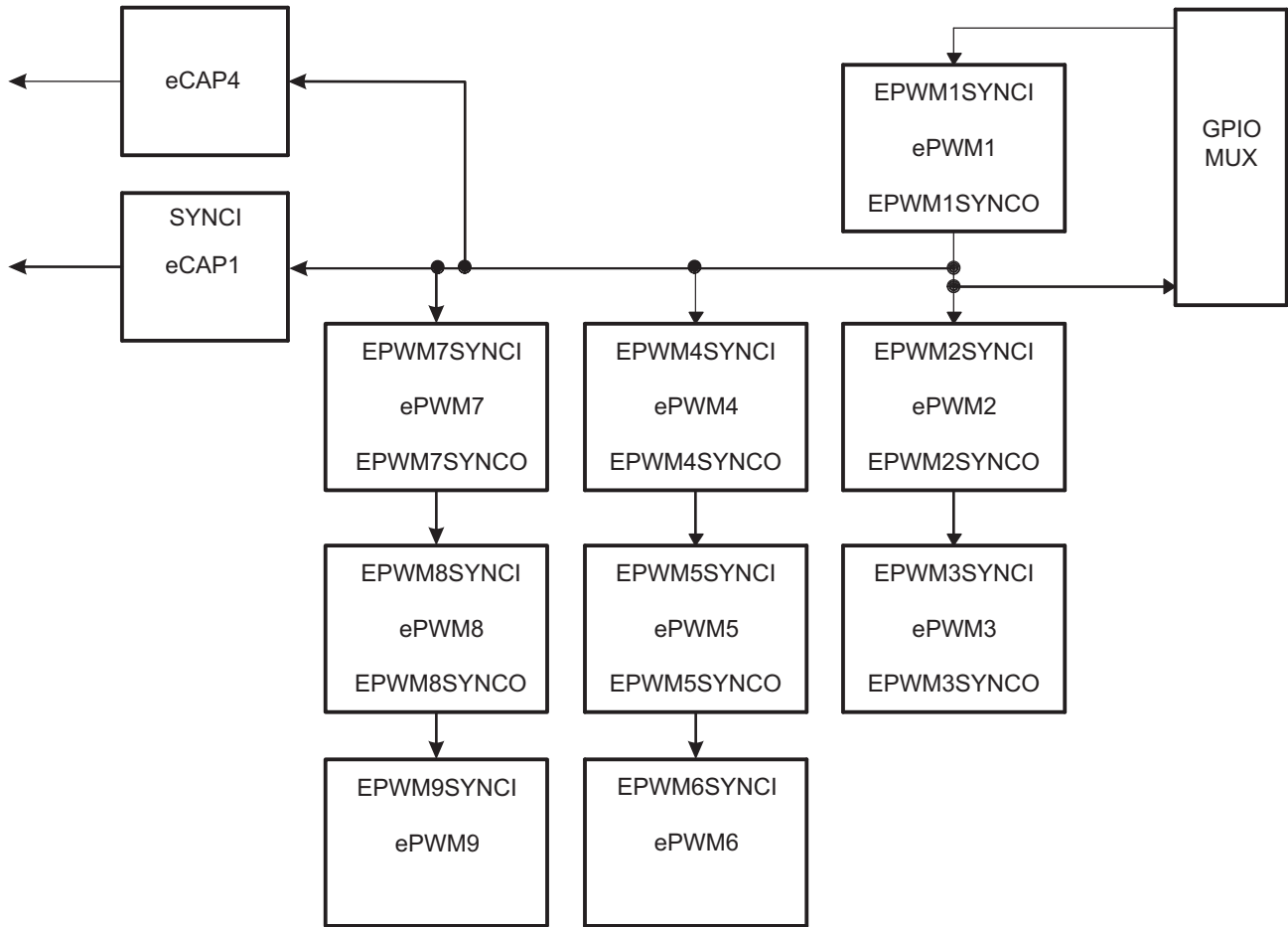
Scheme 2 shown in [Figure 8](#) is used by the 2804x devices when the ePWM pinout is configured for A-channel only mode (GPAMCFG[EPWMMODE] = 3). If the 2804x ePWM pinout is configured for 280x compatible mode (GPAMCFG[EPWMMODE] = 0), then Scheme 1 is used.

**Figure 8. Time-Base Counter Synchronization Scheme 2**



Scheme 3, shown in Figure 9, is used by all other devices.

**Figure 9. Time-Base Counter Synchronization Scheme 3**



**NOTE:** All modules shown in the synchronization schemes may not be available on all devices. Please refer to the device specific data manual to determine which modules are available on a particular device.

Each ePWM module can be configured to use or ignore the synchronization input. If the TBCTL[PHSEN] bit is set, then the time-base counter (TBCTR) of the ePWM module will be automatically loaded with the phase register (TBPHS) contents when one of the following conditions occur:

- **EPWmxSYNCI: Synchronization Input Pulse:**  
The value of the phase register is loaded into the counter register when an input synchronization pulse is detected (TBPHS → TBCTR). This operation occurs on the next valid time-base clock (TBCLK) edge.  
The delay from internal master module to slave modules is given by:
  - if ( TBCLK = SYSCLKOUT): 2 x SYSCLKOUT
  - if ( TBCLK != SYSCLKOUT): 1 TBCLK
- **Software Forced Synchronization Pulse:**  
Writing a 1 to the TBCTL[SWFSYNC] control bit invokes a software forced synchronization. This pulse is ORed with the synchronization input signal, and therefore has the same effect as a pulse on EPWmxSYNCI.
- **Digital Compare Event Synchronization Pulse:**  
DCAEVT1 and DCBEVT1 digital compare events can be configured to generate synchronization pulses which have the same affect as EPWmxSYNCI.

This feature enables the ePWM module to be automatically synchronized to the time base of another ePWM module. Lead or lag phase control can be added to the waveforms generated by different ePWM modules to synchronize them. In up-down-count mode, the TBCTL[PSHDIR] bit configures the direction of the time-base counter immediately after a synchronization event. The new direction is independent of the direction prior to the synchronization event. The PSHDIR bit is ignored in count-up or count-down modes. See [Figure 10](#) through [Figure 13](#) for examples.

Clearing the TBCTL[PHSEN] bit configures the ePWM to ignore the synchronization input pulse. The synchronization pulse can still be allowed to flow-through to the EPWMxSYNCO and be used to synchronize other ePWM modules. In this way, you can set up a master time-base (for example, ePWM1) and downstream modules (ePWM2 - ePWMx) may elect to run in synchronization with the master. See the Application to Power Topologies [Section 3](#) for more details on synchronization strategies.

#### 2.2.4 Phase Locking the Time-Base Clocks of Multiple ePWM Modules

The TBCLKSYNC bit can be used to globally synchronize the time-base clocks of all enabled ePWM modules on a device. This bit is part of the device's clock enable registers and is described in the specific device version of the *System Control and Interrupts Reference Guide* listed in [Related Documentation From Texas Instruments](#). When TBCLKSYNC = 0, the time-base clock of all ePWM modules is stopped (default). When TBCLKSYNC = 1, all ePWM time-base clocks are started with the rising edge of TBCLK aligned. For perfectly synchronized TBCLKs, the prescaler bits in the TBCTL register of each ePWM module must be set identically. The proper procedure for enabling the ePWM clocks is as follows:

1. Enable the individual ePWM module clocks. This is described in the specific device version of the *System Control and Interrupts Reference Guide* listed in [Related Documentation From Texas Instruments](#).
2. Set TBCLKSYNC = 0. This will stop the time-base clock within any enabled ePWM module.
3. Configure the prescaler values and desired ePWM modes.
4. Set TBCLKSYNC = 1.

#### 2.2.5 Time-base Counter Modes and Timing Waveforms

The time-base counter operates in one of four modes:

- Up-count mode which is asymmetrical.
- Down-count mode which is asymmetrical.
- Up-down-count which is symmetrical
- Frozen where the time-base counter is held constant at the current value

To illustrate the operation of the first three modes, the following timing diagrams show when events are generated and how the time-base responds to an EPWMxSYNCl signal.

Figure 10. Time-Base Up-Count Mode Waveforms

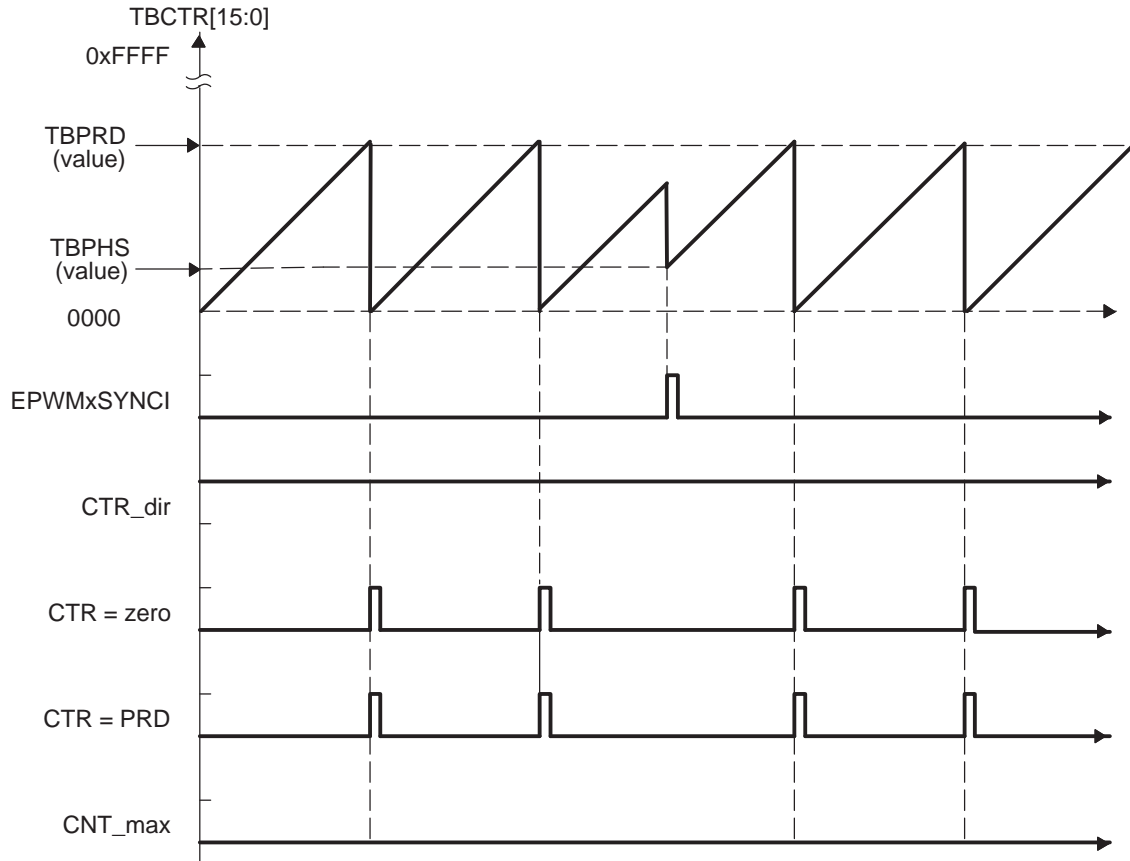


Figure 11. Time-Base Down-Count Mode Waveforms

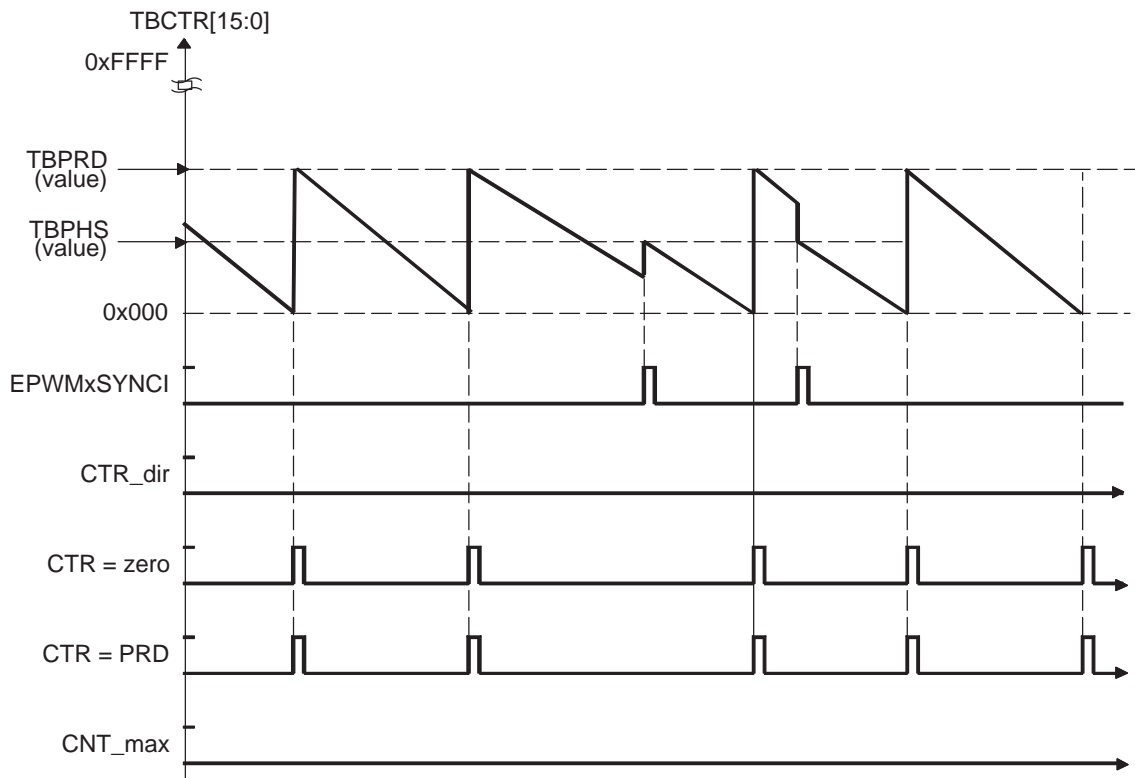


Figure 12. Time-Base Up-Down-Count Waveforms, TBCTL[PHSDIR = 0] Count Down On Synchronization Event

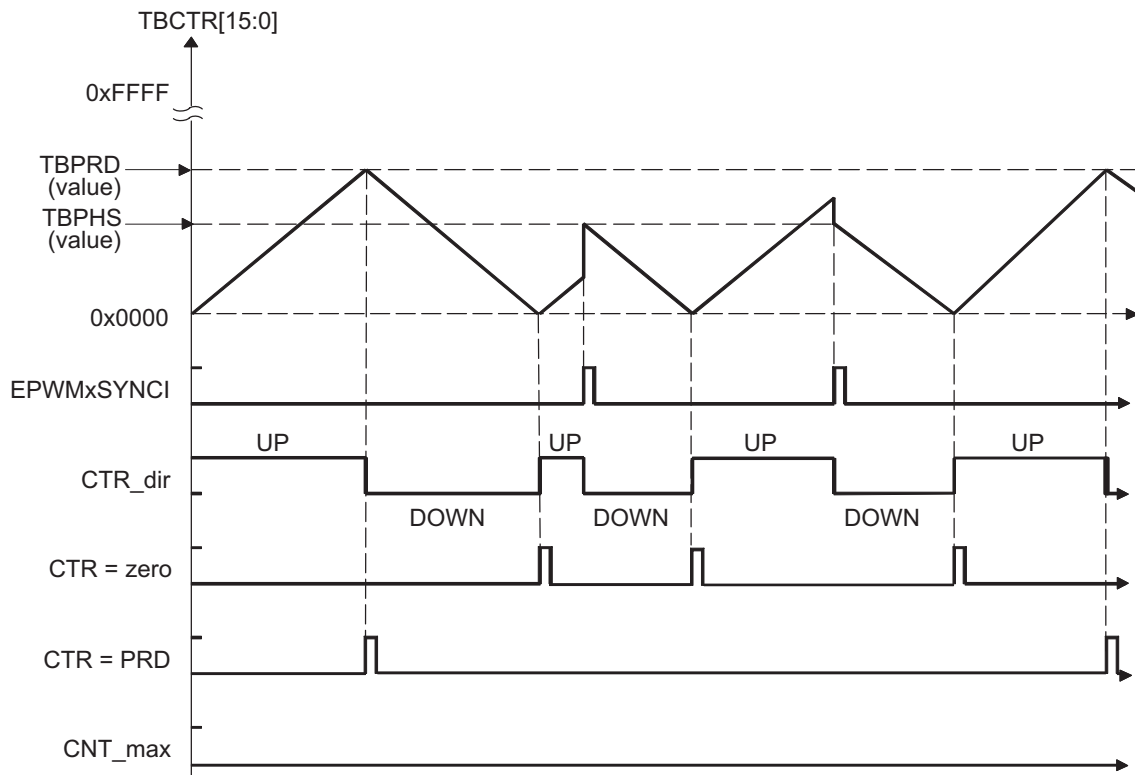
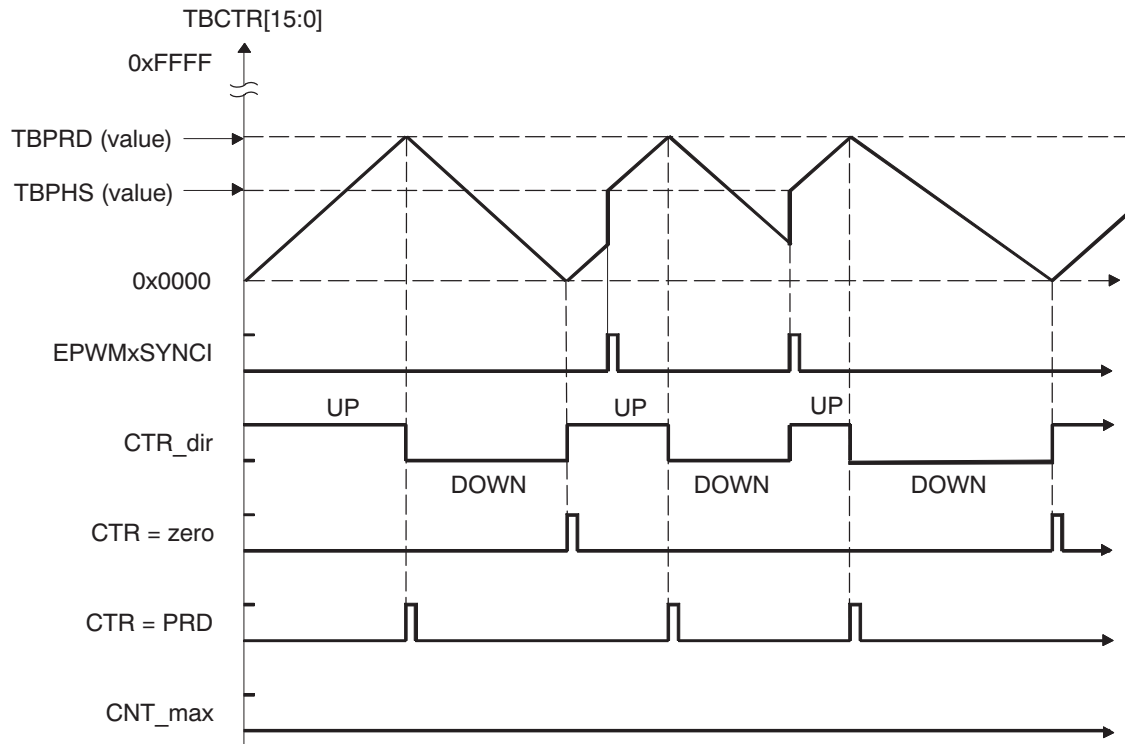




Figure 13. Time-Base Up-Down Count Waveforms, TBCTL[PHSDIR = 1] Count Up On Synchronization Event



### 2.3 Counter-Compare (CC) Submodule

Figure 14 illustrates the counter-compare submodule within the ePWM.

Figure 14. Counter-Compare Submodule

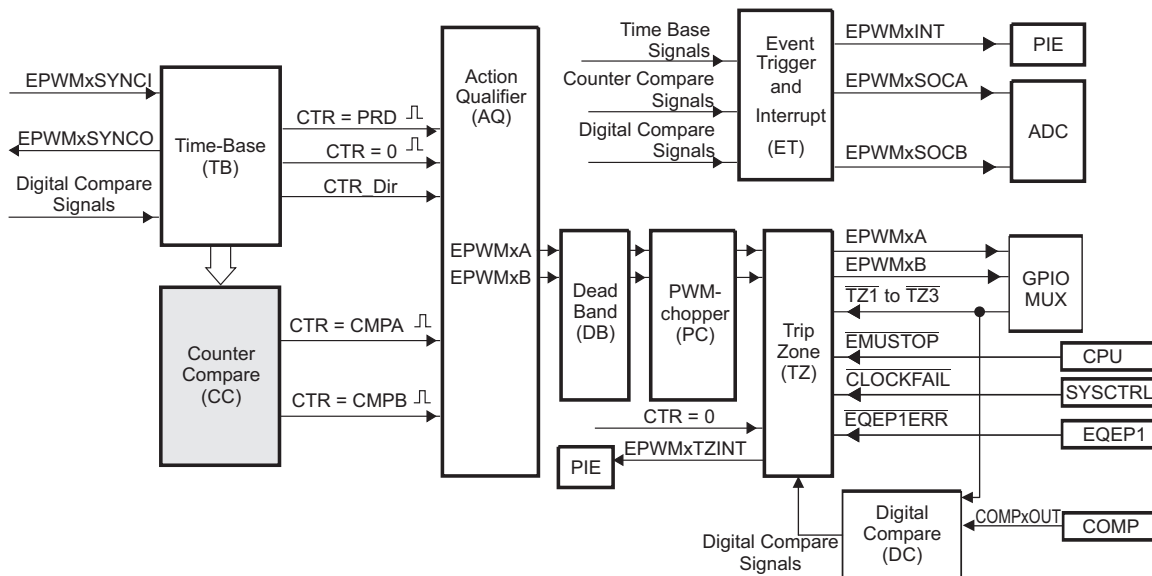


Figure 15 shows the basic structure of the counter-compare submodule.

### 2.3.1 Purpose of the Counter-Compare Submodule

The counter-compare submodule takes as input the time-base counter value. This value is continuously compared to the counter-compare A (CMPA) and counter-compare B (CMPB) registers. When the time-base counter is equal to one of the compare registers, the counter-compare unit generates an appropriate event.

The counter-compare:

- Generates events based on programmable time stamps using the CMPA and CMPB registers
  - CTR = CMPA: Time-base counter equals counter-compare A register (TBCTR = CMPA).
  - CTR = CMPB: Time-base counter equals counter-compare B register (TBCTR = CMPB)
- Controls the PWM duty cycle if the action-qualifier submodule is configured appropriately
- Shadows new compare values to prevent corruption or glitches during the active PWM cycle

### 2.3.2 Controlling and Monitoring the Counter-Compare Submodule

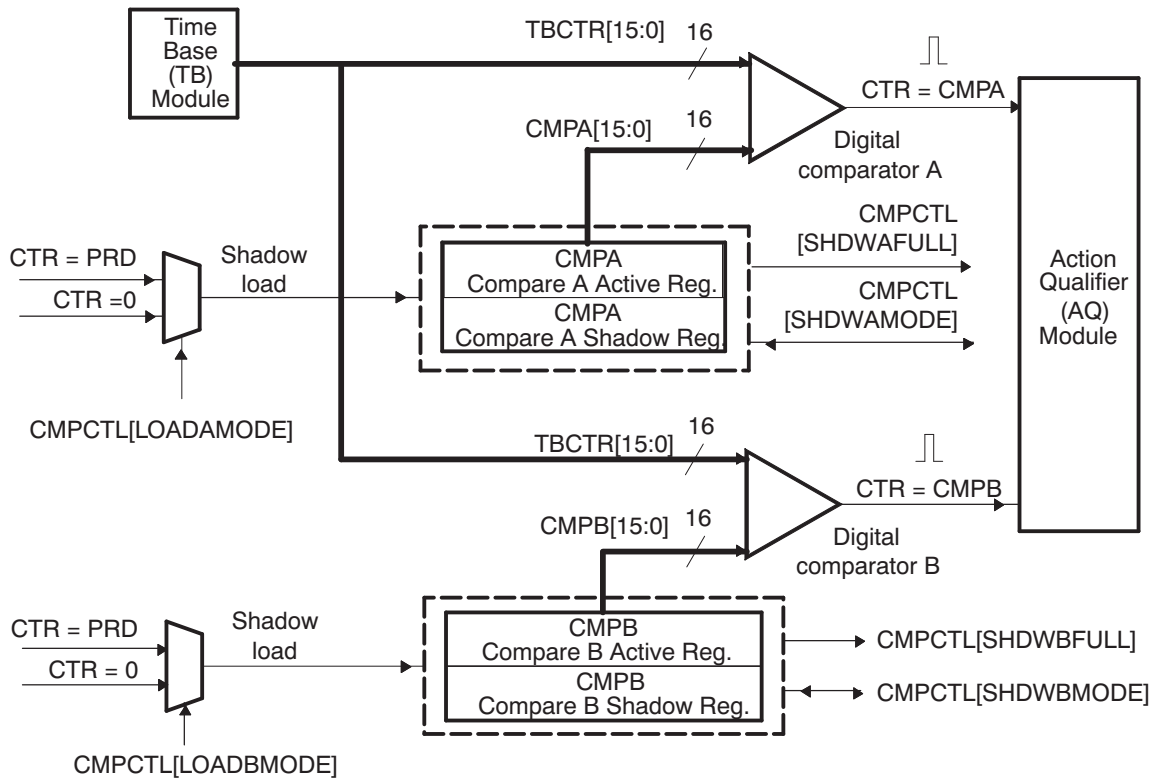
The counter-compare submodule operation is controlled and monitored by the registers shown in [Table 5](#):

**Table 5. Counter-Compare Submodule Registers**

Register Name	Address Offset	Shadowed	Description
CMPCTL	0x0007	No	Counter-Compare Control Register.
CMPAHR	0x0008	Yes	HRPWM Counter-Compare A Extension Register <sup>(1)</sup>
CMPA	0x0009	Yes	Counter-Compare A Register
CMPB	0x000A	Yes	Counter-Compare B Register
CMPAHRM	0x002C	Writes	HRPWM counter-compare A Extension Mirror Register <sup>(1)</sup>
CMPAM	0x002D	Writes	Counter-compare A mirror Register

<sup>(1)</sup> This register is available only on ePWM modules with the high-resolution extension (HRPWM). On ePWM modules that do not include the HRPWM this location is reserved. This register is described in the device-specific High-Resolution Pulse Width Modulator (HRPWM) Reference Guide. Refer to the device specific data manual to determine which ePWM instances include this feature.

Figure 15. Detailed View of the Counter-Compare Submodule



The key signals associated with the counter-compare submodule are described in [Table 6](#).

Table 6. Counter-Compare Submodule Key Signals

Signal	Description of Event	Registers Compared
CTR = CMPA	Time-base counter equal to the active counter-compare A value	TBCTR = CMPA
CTR = CMPB	Time-base counter equal to the active counter-compare B value	TBCTR = CMPB
CTR = PRD	Time-base counter equal to the active period. Used to load active counter-compare A and B registers from the shadow register	TBCTR = TBPRD
CTR = ZERO	Time-base counter equal to zero. Used to load active counter-compare A and B registers from the shadow register	TBCTR = 0x0000

### 2.3.3 Operational Highlights for the Counter-Compare Submodule

The counter-compare submodule is responsible for generating two independent compare events based on two compare registers:

1. CTR = CMPA: Time-base counter equal to counter-compare A register (TBCTR = CMPA).
2. CTR = CMPB: Time-base counter equal to counter-compare B register (TBCTR = CMPB).

For up-count or down-count mode, each event occurs only once per cycle. For up-down-count mode each event occurs twice per cycle if the compare value is between 0x0000-TBPRD and once per cycle if the compare value is equal to 0x0000 or equal to TBPRD. These events are fed into the action-qualifier submodule where they are qualified by the counter direction and converted into actions if enabled. Refer to [Section 2.4.1](#) for more details.

The counter-compare registers CMPA and CMPB each have an associated shadow register. Shadowing provides a way to keep updates to the registers synchronized with the hardware. When shadowing is used, updates to the active registers only occur at strategic points. This prevents corruption or spurious operation due to the register being asynchronously modified by software. The memory address of the active register and the shadow register is identical. Which register is written to or read from is determined by the CMPCTL[SHDWAMODE] and CMPCTL[SHDWBMODE] bits. These bits enable and disable the CMPA shadow register and CMPB shadow register respectively. The behavior of the two load modes is described below:

#### **Shadow Mode:**

The shadow mode for the CMPA is enabled by clearing the CMPCTL[SHDWAMODE] bit and the shadow register for CMPB is enabled by clearing the CMPCTL[SHDWBMODE] bit. Shadow mode is enabled by default for both CMPA and CMPB.

If the shadow register is enabled then the content of the shadow register is transferred to the active register on one of the following events as specified by the CMPCTL[LOADAMODE] and CMPCTL[LOADBMODE] register bits:

- CTR = PRD: Time-base counter equal to the period (TBCTR = TBPRD).
- CTR = Zero: Time-base counter equal to zero (TBCTR = 0x0000)
- Both CTR = PRD and CTR = Zero

Only the active register contents are used by the counter-compare submodule to generate events to be sent to the action-qualifier.

#### **Immediate Load Mode:**

If immediate load mode is selected (i.e., TBCTL[SHADWAMODE] = 1 or TBCTL[SHADWBMODE] = 1), then a read from or a write to the register will go directly to the active register.

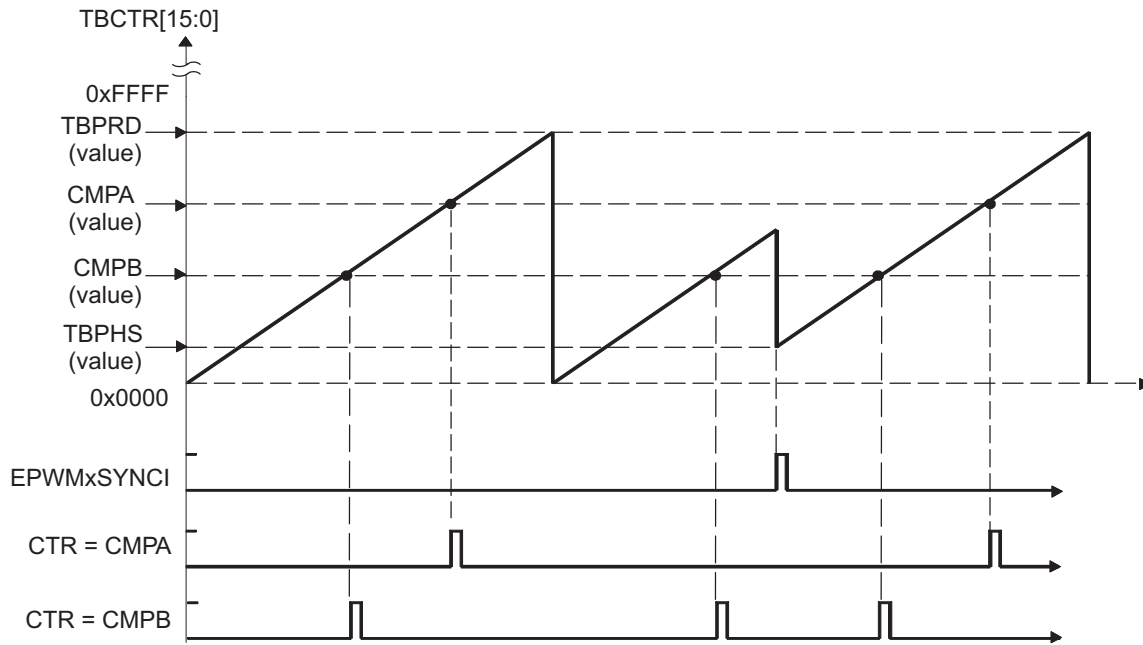
### **2.3.4 Count Mode Timing Waveforms**

The counter-compare module can generate compare events in all three count modes:

- Up-count mode: used to generate an asymmetrical PWM waveform.
- Down-count mode: used to generate an asymmetrical PWM waveform.
- Up-down-count mode: used to generate a symmetrical PWM waveform.

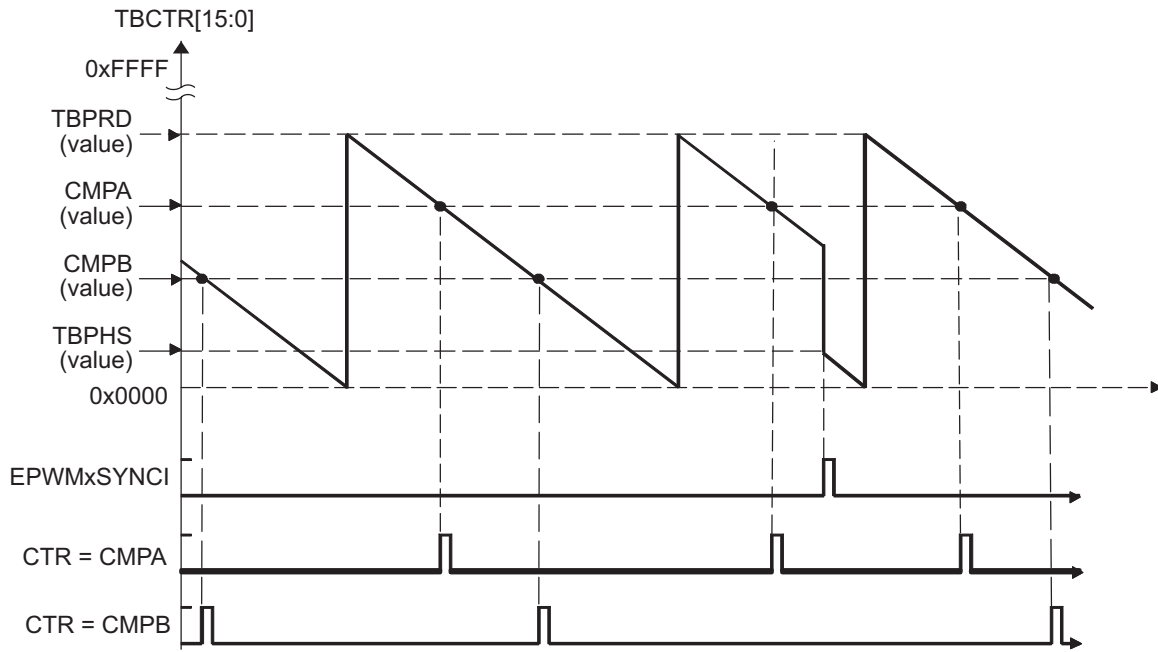
To best illustrate the operation of the first three modes, the timing diagrams in [Figure 16](#) through [Figure 19](#) show when events are generated and how the EPWMxSYNCl signal interacts.

Figure 16. Counter-Compare Event Waveforms in Up-Count Mode

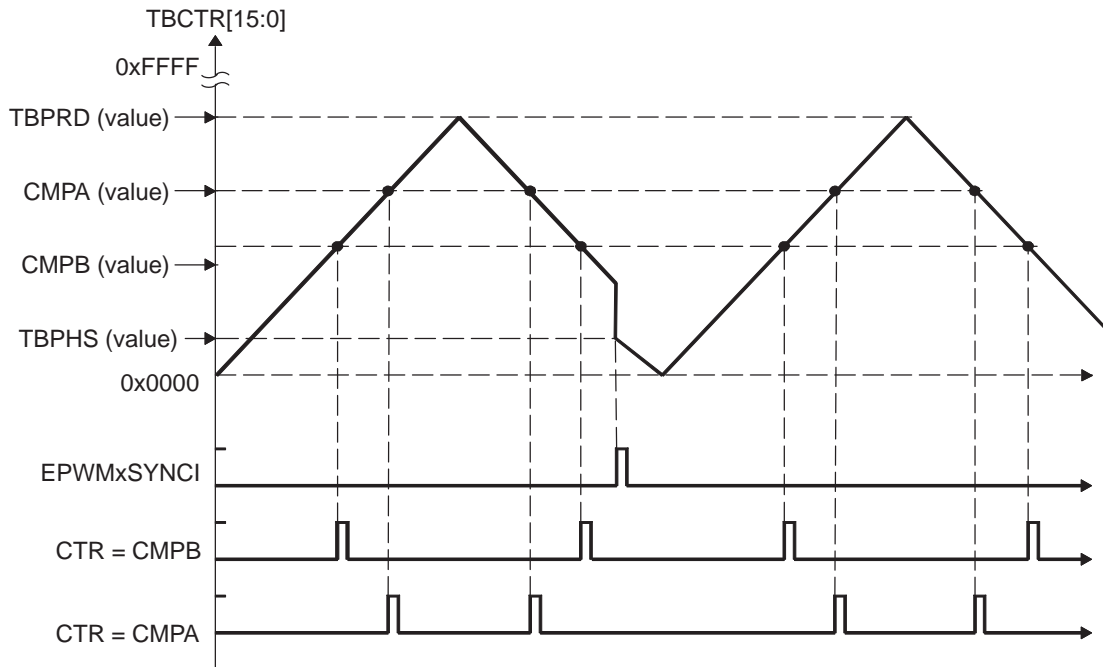


NOTE: An EPWMxSYNCl external synchronization event can cause a discontinuity in the TBCTR count sequence. This can lead to a compare event being skipped. This skipping is considered normal operation and must be taken into account.

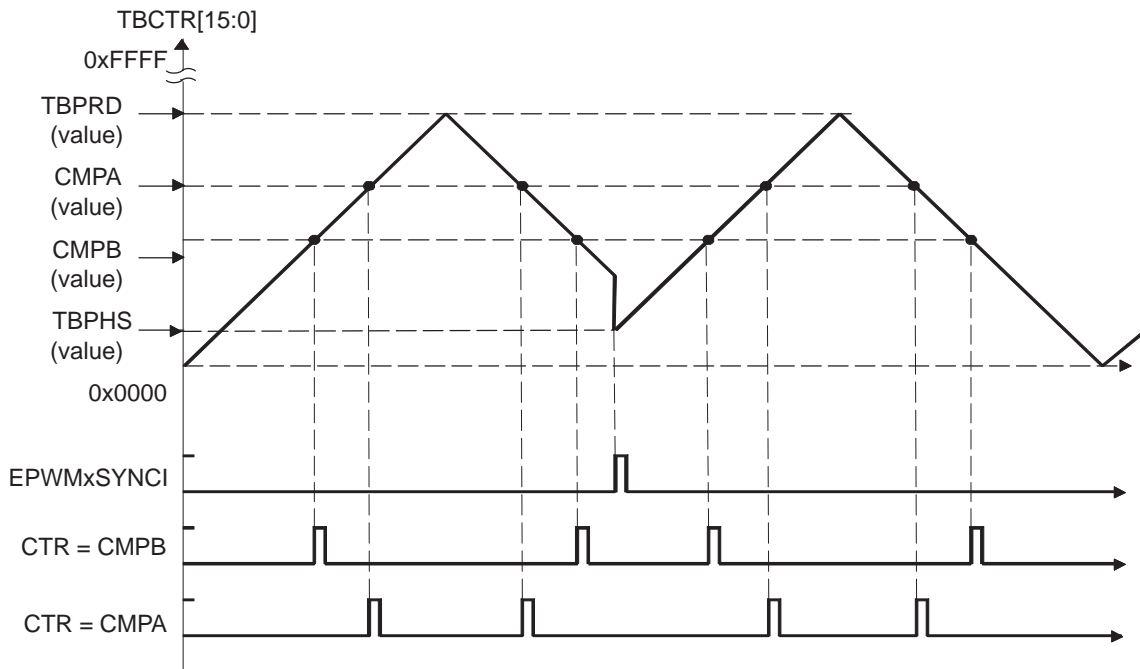
Figure 17. Counter-Compare Events in Down-Count Mode



**Figure 18. Counter-Compare Events In Up-Down-Count Mode, TBCTL[PHSDIR = 0] Count Down On Synchronization Event**



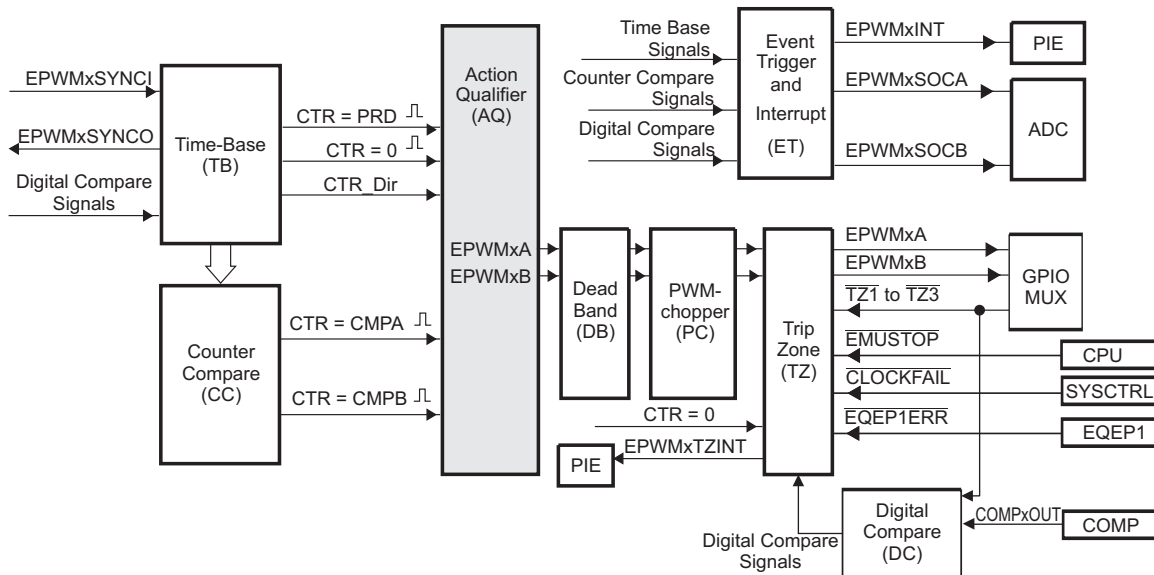
**Figure 19. Counter-Compare Events In Up-Down-Count Mode, TBCTL[PHSDIR = 1] Count Up On Synchronization Event**



## 2.4 Action-Qualifier (AQ) Submodule

Figure 20 shows the action-qualifier (AQ) submodule (see shaded block) in the ePWM system.

**Figure 20. Action-Qualifier Submodule**



The action-qualifier submodule has the most important role in waveform construction and PWM generation. It decides which events are converted into various action types, thereby producing the required switched waveforms at the EPWMxA and EPWMxB outputs.

**2.4.1 Purpose of the Action-Qualifier Submodule**

The action-qualifier submodule is responsible for the following:

- Qualifying and generating actions (set, clear, toggle) based on the following events:
  - CTR = PRD: Time-base counter equal to the period (TBCTR = TBPRD).
  - CTR = Zero: Time-base counter equal to zero (TBCTR = 0x0000)
  - CTR = CMPA: Time-base counter equal to the counter-compare A register (TBCTR = CMPA)
  - CTR = CMPB: Time-base counter equal to the counter-compare B register (TBCTR = CMPB)
- Managing priority when these events occur concurrently
- Providing independent control of events when the time-base counter is increasing and when it is decreasing. .

**2.4.2 Action-Qualifier Submodule Control and Status Register Definitions**

The action-qualifier submodule operation is controlled and monitored via the registers in [Table 7](#).

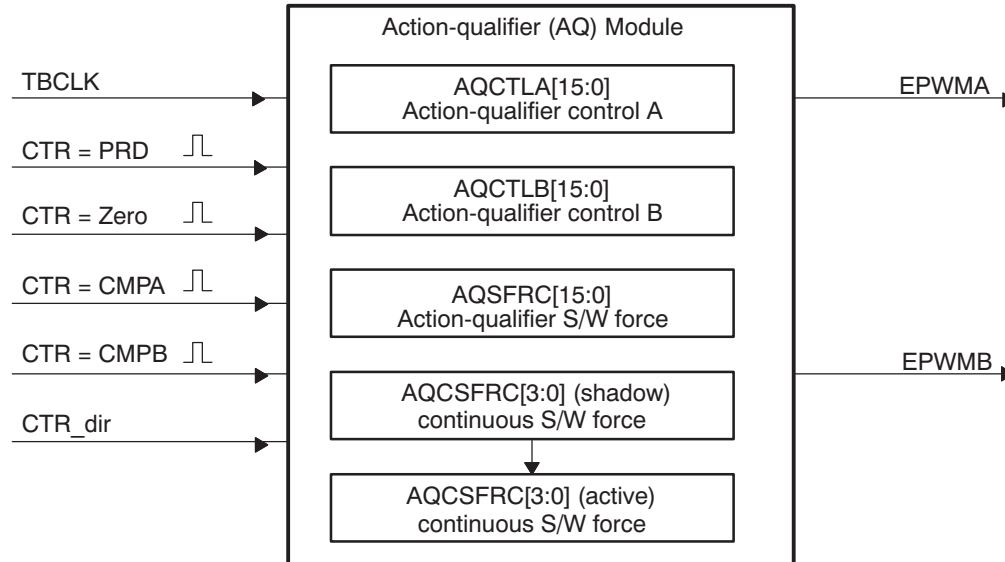
**Table 7. Action-Qualifier Submodule Registers**

Register Name	Address offset	Shadowed	Description
AQCTLA	0x000B	No	Action-Qualifier Control Register For Output A (EPWMxA)
AQCTLB	0x000C	No	Action-Qualifier Control Register For Output B (EPWMxB)
AQSFR	0x000D	No	Action-Qualifier Software Force Register
AQCSFR	0x000E	Yes	Action-Qualifier Continuous Software Force



The action-qualifier submodule is based on event-driven logic. It can be thought of as a programmable cross switch with events at the input and actions at the output, all of which are software controlled via the set of registers shown in [Table 7](#).

**Figure 21. Action-Qualifier Submodule Inputs and Outputs**



For convenience, the possible input events are summarized again in [Table 8](#).

**Table 8. Action-Qualifier Submodule Possible Input Events**

Signal	Description	Registers Compared
CTR = PRD	Time-base counter equal to the period value	TBCTR = TBPRD
CTR = Zero	Time-base counter equal to zero	TBCTR = 0x0000
CTR = CMPA	Time-base counter equal to the counter-compare A	TBCTR = CMPA
CTR = CMPB	Time-base counter equal to the counter-compare B	TBCTR = CMPB
Software forced event	Asynchronous event initiated by software	

The software forced action is a useful asynchronous event. This control is handled by registers AQSFR and AQCSFR.

The action-qualifier submodule controls how the two outputs EPWMxA and EPWMxB behave when a particular event occurs. The event inputs to the action-qualifier submodule are further qualified by the counter direction (up or down). This allows for independent action on outputs on both the count-up and count-down phases.





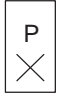



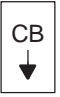




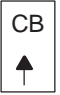
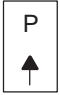





The possible actions imposed on outputs EPWMxA and EPWMxB are:

- **Set High:**  
Set output EPWMxA or EPWMxB to a high level.
- **Clear Low:**  
Set output EPWMxA or EPWMxB to a low level.
- **Toggle:**  
If EPWMxA or EPWMxB is currently pulled high, then pull the output low. If EPWMxA or EPWMxB is currently pulled low, then pull the output high.
- **Do Nothing:**  
Keep outputs EPWMxA and EPWMxB at same level as currently set. Although the "Do Nothing" option prevents an event from causing an action on the EPWMxA and EPWMxB outputs, this event can still trigger interrupts and ADC start of conversion. See the Event-trigger Submodule description in [Section 2.8](#) for details.

Actions are specified independently for either output (EPWMxA or EPWMxB). Any or all events can be configured to generate actions on a given output. For example, both CTR = CMPA and CTR = CMPB can operate on output EPWMxA. All qualifier actions are configured via the control registers found at the end of this section.

For clarity, the drawings in this document use a set of symbolic actions. These symbols are summarized in [Figure 22](#). Each symbol represents an action as a marker in time. Some actions are fixed in time (zero and period) while the CMPA and CMPB actions are moveable and their time positions are programmed via the counter-compare A and B registers, respectively. To turn off or disable an action, use the "Do Nothing option"; it is the default at reset.

**Figure 22. Possible Action-Qualifier Actions for EPWMxA and EPWMxB Outputs**

S/W force	TB Counter equals:				Actions
	Zero	Comp A	Comp B	Period	
					Do Nothing
					Clear Low
					Set High
					Toggle

### 2.4.3 Action-Qualifier Event Priority

It is possible for the ePWM action qualifier to receive more than one event at the same time. In this case events are assigned a priority by the hardware. The general rule is events occurring later in time have a higher priority and software forced events always have the highest priority. The event priority levels for up-down-count mode are shown in [Table 9](#). A priority level of 1 is the highest priority and level 7 is the lowest. The priority changes slightly depending on the direction of TBCTR.

**Table 9. Action-Qualifier Event Priority for Up-Down-Count Mode**

Priority Level	Event If TBCTR is Incrementing TBCTR = Zero up to TBCTR = TBPRD	Event If TBCTR is Decrementing TBCTR = TBPRD down to TBCTR = 1
1 (Highest)	Software forced event	Software forced event
2	Counter equals CMPB on up-count (CBU)	Counter equals CMPB on down-count (CBD)
3	Counter equals CMPA on up-count (CAU)	Counter equals CMPA on down-count (CAD)
4	Counter equals zero	Counter equals period (TBPRD)
5	Counter equals CMPB on down-count (CBD)	Counter equals CMPB on up-count (CBU)
6 (Lowest)	Counter equals CMPA on down-count (CAD)	Counter equals CMPA on up-count (CBU)

[Table 10](#) shows the action-qualifier priority for up-count mode. In this case, the counter direction is always defined as up and thus down-count events will never be taken.

**Table 10. Action-Qualifier Event Priority for Up-Count Mode**

Priority Level	Event
1 (Highest)	Software forced event
2	Counter equal to period (TBPRD)
3	Counter equal to CMPB on up-count (CBU)
4	Counter equal to CMPA on up-count (CAU)
5 (Lowest)	Counter equal to Zero

[Table 11](#) shows the action-qualifier priority for down-count mode. In this case, the counter direction is always defined as down and thus up-count events will never be taken.

**Table 11. Action-Qualifier Event Priority for Down-Count Mode**

Priority Level	Event
1 (Highest)	Software forced event
2	Counter equal to Zero
3	Counter equal to CMPB on down-count (CBD)
4	Counter equal to CMPA on down-count (CAD)
5 (Lowest)	Counter equal to period (TBPRD)

It is possible to set the compare value greater than the period. In this case the action will take place as shown in [Table 12](#).

**Table 12. Behavior if CMPA/CMPB is Greater than the Period**

Counter Mode	Compare on Up-Count Event CAD/CBD	Compare on Down-Count Event CAD/CBD
Up-Count Mode	If $CMPA/CMPB \leq TBPRD$ period, then the event occurs on a compare match (TBCTR=CMPA or CMPB). If $CMPA/CMPB > TBPRD$ , then the event will not occur.	Never occurs.
Down-Count Mode	Never occurs.	If $CMPA/CMPB < TBPRD$ , the event will occur on a compare match (TBCTR=CMPA or CMPB). If $CMPA/CMPB \geq TBPRD$ , the event will occur on a period match (TBCTR=TBPRD).

**Table 12. Behavior if CMPA/CMPB is Greater than the Period (continued)**

Counter Mode	Compare on Up-Count Event CAD/CBD	Compare on Down-Count Event CAD/CBD
Up-Down-Count Mode	<p>If CMPA/CMPB &lt; TBPRD and the counter is incrementing, the event occurs on a compare match (TBCTR=CMPA or CMPB).</p> <p>If CMPA/CMPB is ≥ TBPRD, the event will occur on a period match (TBCTR = TBPRD).</p>	<p>If CMPA/CMPB &lt; TBPRD and the counter is decrementing, the event occurs on a compare match (TBCTR=CMPA or CMPB).</p> <p>If CMPA/CMPB ≥ TBPRD, the event occurs on a period match (TBCTR=TBPRD).</p>

#### 2.4.4 Waveforms for Common Configurations

**NOTE:** The waveforms in this document show the ePWMs behavior for a static compare register value. In a running system, the active compare registers (CMPA and CMPB) are typically updated from their respective shadow registers once every period. The user specifies when the update will take place; either when the time-base counter reaches zero or when the time-base counter reaches period. There are some cases when the action based on the new value can be delayed by one period or the action based on the old value can take effect for an extra period. Some PWM configurations avoid this situation. These include, but are not limited to, the following:

**Use up-down-count mode to generate a symmetric PWM:**

- If you load CMPA/CMPB on zero, then use CMPA/CMPB values greater than or equal to 1.
- If you load CMPA/CMPB on period, then use CMPA/CMPB values less than or equal to TBPRD-1.

This means there will always be a pulse of at least one TBCLK cycle in a PWM period which, when very short, tend to be ignored by the system.

**Use up-down-count mode to generate an asymmetric PWM:**

- To achieve 50%-0% asymmetric PWM use the following configuration: Load CMPA/CMPB on period and use the period action to clear the PWM and a compare-up action to set the PWM. Modulate the compare value from 0 to TBPRD to achieve 50%-0% PWM duty.

**When using up-count mode to generate an asymmetric PWM:**

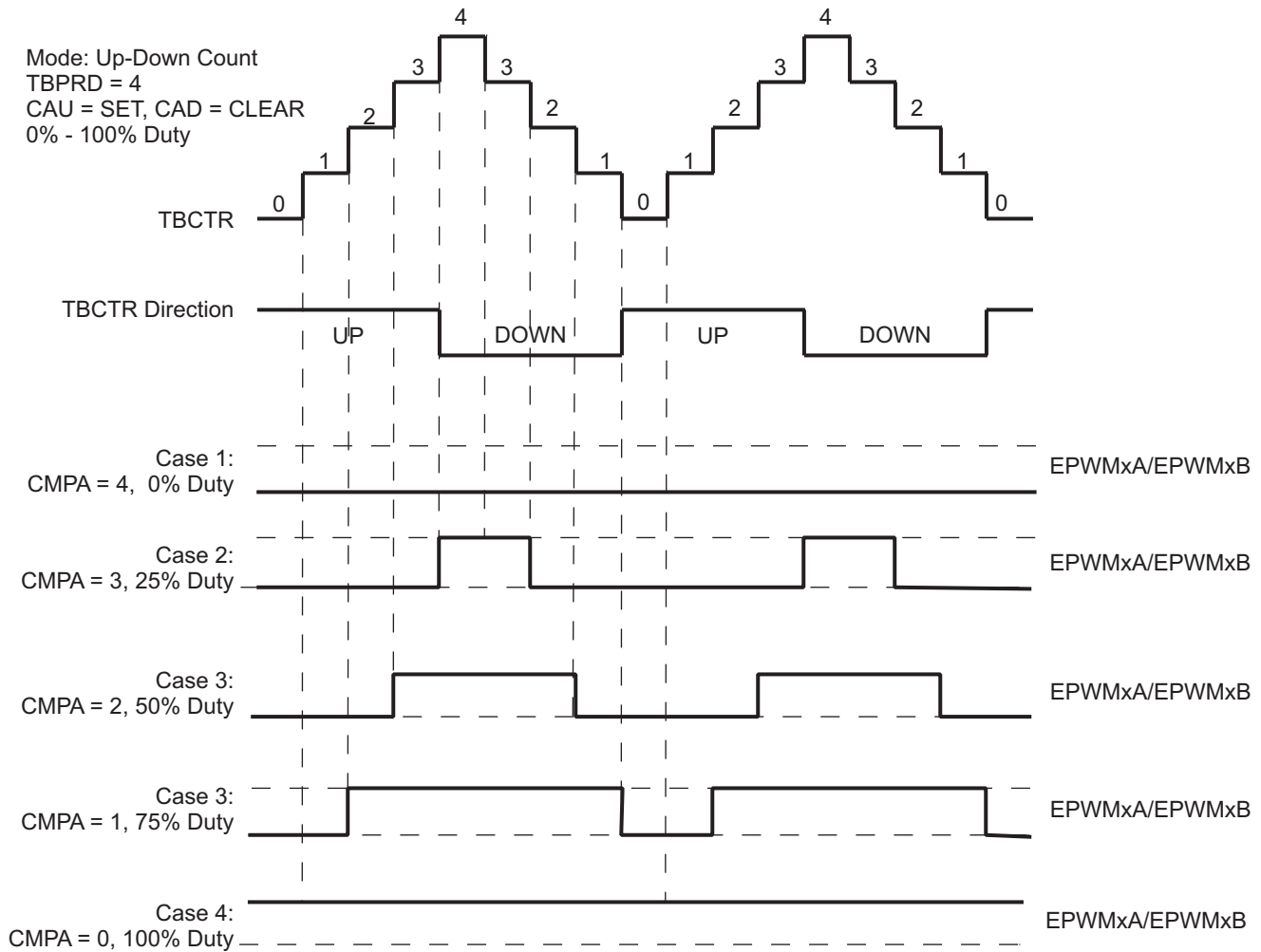
- To achieve 0-100% asymmetric PWM use the following configuration: Load CMPA/CMPB on TBPRD. Use the Zero action to set the PWM and a compare-up action to clear the PWM. Modulate the compare value from 0 to TBPRD+1 to achieve 0-100% PWM duty.

See the *Using Enhanced Pulse Width Modulator (ePWM) Module for 0-100% Duty Cycle Control Application Report* (literature number [SPRAA11](#))

Figure 23 shows how a symmetric PWM waveform can be generated using the up-down-count mode of the TBCTR. In this mode 0%-100% DC modulation is achieved by using equal compare matches on the up count and down count portions of the waveform. In the example shown, CMPA is used to make the comparison. When the counter is incrementing the CMPA match will pull the PWM output high. Likewise, when the counter is decrementing the compare match will pull the PWM signal low. When CMPA = 0, the PWM signal is low for the entire period giving the 0% duty waveform. When CMPA = TBPRD, the PWM signal is high achieving 100% duty.

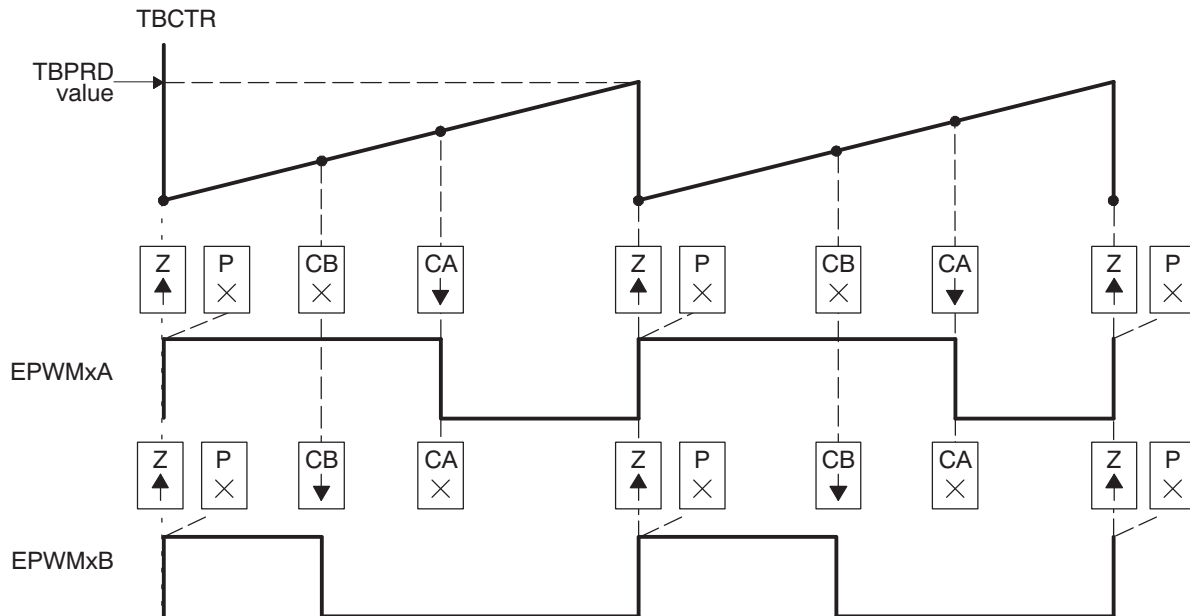
When using this configuration in practice, if you load CMPA/CMPB on zero, then use CMPA/CMPB values greater than or equal to 1. If you load CMPA/CMPB on period, then use CMPA/CMPB values less than or equal to TBPRD-1. This means there will always be a pulse of at least one TBCLK cycle in a PWM period which, when very short, tend to be ignored by the system.

**Figure 23. Up-Down-Count Mode Symmetrical Waveform**



The PWM waveforms in [Figure 24](#) through [Figure 29](#) show some common action-qualifier configurations. The C-code samples in [Example 1](#) through [Example 6](#) shows how to configure an ePWM module for each case. Some conventions used in the figures and examples are as follows:

- TBPRD, CMPA, and CMPB refer to the value written in their respective registers. The active register, not the shadow register, is used by the hardware.
- CMPx, refers to either CMPA or CMPB.
- EPWMxA and EPWMxB refer to the output signals from ePWMx
- Up-Down means Count-up-and-down mode, Up means up-count mode and Dwn means down-count mode
- Sym = Symmetric, Asym = Asymmetric

**Figure 24. Up, Single Edge Asymmetric Waveform, With Independent Modulation on EPWMxA and EPWMxB—Active High**


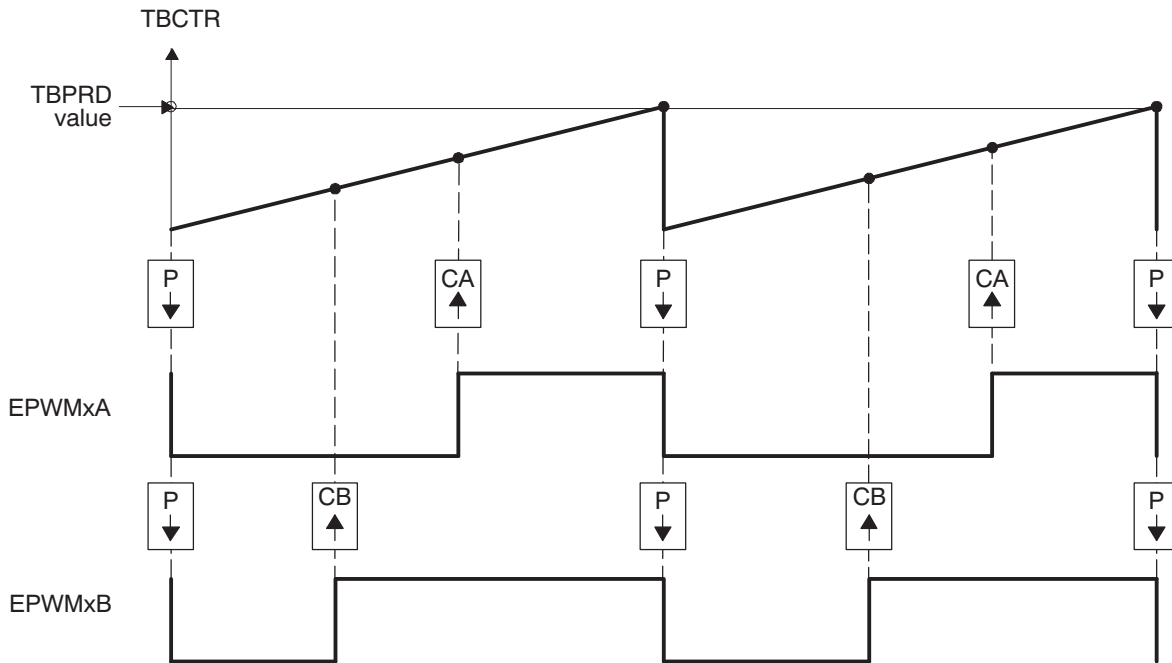
- A PWM period =  $(TBPRD + 1) \times T_{TBCLK}$
- B Duty modulation for EPWMxA is set by CMPA, and is active high (that is, high time duty proportional to CMPA).
- C Duty modulation for EPWMxB is set by CMPB and is active high (that is, high time duty proportional to CMPB).
- D The "Do Nothing" actions ( X ) are shown for completeness, but will not be shown on subsequent diagrams.
- E Actions at zero and period, although appearing to occur concurrently, are actually separated by one TBCLK period. TBCTR wraps from period to 0000.

**Example 1** contains a code sample showing initialization and run time for the waveforms in [Figure 24](#).

### Example 1. Code Sample for [Figure 24](#)

```
// Initialization Time
// =====
EPwm1Regs.TBPRD = 600; // Period = 601 TBCLK counts
EPwm1Regs.CMPA.half.CMPA = 350; // Compare A = 350 TBCLK counts
EPwm1Regs.CMPB = 200; // Compare B = 200 TBCLK counts
EPwm1Regs.TBPHS = 0; // Set Phase register to zero
EPwm1Regs.TBCTR = 0; // clear TB counter
EPwm1Regs.TBCTL.bit.CTRMODE = TB_COUNT_UP;
EPwm1Regs.TBCTL.bit.PHSEN = TB_DISABLE; // Phase loading disabled
EPwm1Regs.TBCTL.bit.PRDLN = TB_SHADOW;
EPwm1Regs.TBCTL.bit.SYNCSEL = TB_SYNC_DISABLE;
EPwm1Regs.TBCTL.bit.HSPCLKDIV = TB_DIV1; // TBCLK = SYSCLK
EPwm1Regs.TBCTL.bit.CLKDIV = TB_DIV1;
EPwm1Regs.CMPCTL.bit.SHDWAMODE = CC_SHADOW;
EPwm1Regs.CMPCTL.bit.SHDWBMODE = CC_SHADOW;
EPwm1Regs.CMPCTL.bit.LOADAMODE = CC_CTR_ZERO; // load on CTR = Zero
EPwm1Regs.CMPCTL.bit.LOADBMODE = CC_CTR_ZERO; // load on CTR = Zero
EPwm1Regs.AQCTLA.bit.ZRO = AQ_SET;
EPwm1Regs.AQCTLA.bit.CAU = AQ_CLEAR;
EPwm1Regs.AQCTLB.bit.ZRO = AQ_SET;
EPwm1Regs.AQCTLB.bit.CBU = AQ_CLEAR;
//
// Run Time
// =====
EPwm1Regs.CMPA.half.CMPA = Duty1A; // adjust duty for output EPWM1A
EPwm1Regs.CMPB = Duty1B; // adjust duty for output EPWM1B
```

**Figure 25. Up, Single Edge Asymmetric Waveform With Independent Modulation on EPWMxA and EPWMxB—Active Low**



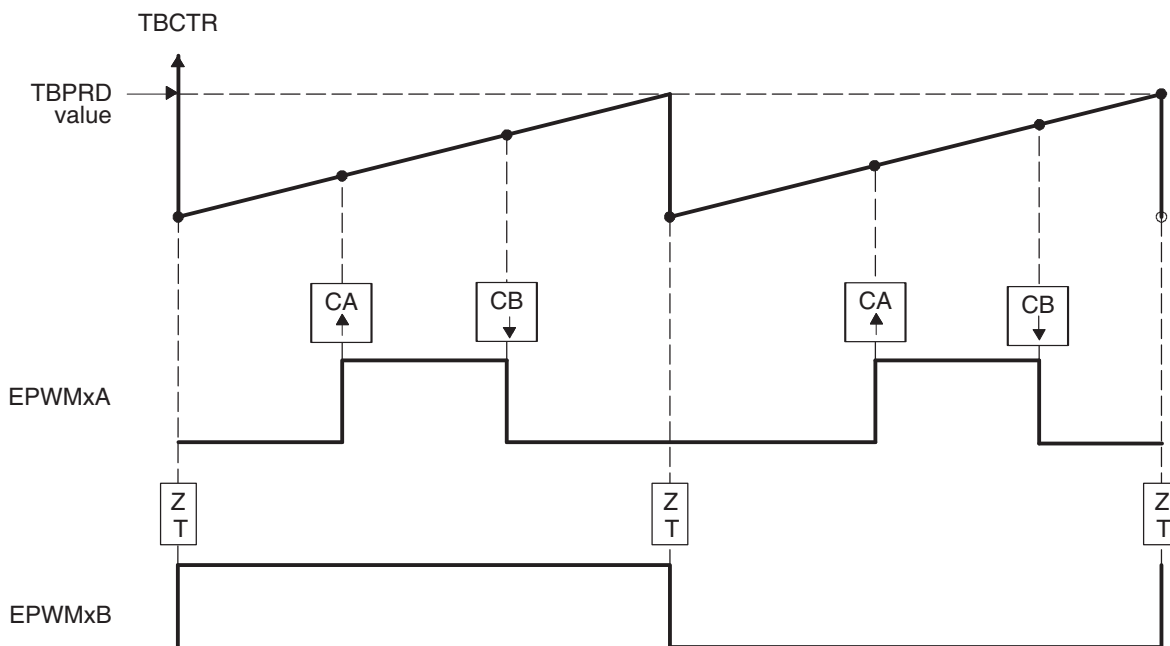
- A PWM period =  $(TBPRD + 1) \times T_{TBCLK}$
- B Duty modulation for EPWMxA is set by CMPA, and is active low (that is, the low time duty is proportional to CMPA).
- C Duty modulation for EPWMxB is set by CMPB and is active low (that is, the low time duty is proportional to CMPB).
- D Actions at zero and period, although appearing to occur concurrently, are actually separated by one TBCLK period. TBCTR wraps from period to 0000.

Example 2 contains a code sample showing initialization and run time for the waveforms in Figure 25.

**Example 2. Code Sample for Figure 25**

```

// Initialization Time
// =====
EPwm1Regs.TBPRD = 600;                // Period = 601 TBCLK counts
EPwm1Regs.CMPA.half.CMPA = 350;      // Compare A = 350 TBCLK counts
EPwm1Regs.CMPB = 200;                // Compare B = 200 TBCLK counts
EPwm1Regs.TBPHS = 0;                 // Set Phase register to zero
EPwm1Regs.TBCTR = 0;                 // clear TB counter
EPwm1Regs.TBCTL.bit.CTRMODE = TB_COUNT_UP;
EPwm1Regs.TBCTL.bit.PHSEN = TB_DISABLE; // Phase loading disabled
EPwm1Regs.TBCTL.bit.PRDL = TB_SHADOW;
EPwm1Regs.TBCTL.bit.SYNCSEL = TB_SYNC_DISABLE;
EPwm1Regs.TBCTL.bit.HSPCLKDIV = TB_DIV1; // TBCLK = SYSCLKOUT
EPwm1Regs.TBCTL.bit.CLKDIV = TB_DIV1;
EPwm1Regs.CMPCTL.bit.SHDWAMODE = CC_SHADOW;
EPwm1Regs.CMPCTL.bit.SHDWBMODE = CC_SHADOW;
EPwm1Regs.CMPCTL.bit.LOADAMODE = CC_CTR_ZERO; // load on TBCTR = Zero
EPwm1Regs.CMPCTL.bit.LOADBMODE = CC_CTR_ZERO; // load on TBCTR = Zero
EPwm1Regs.AQCTLA.bit.PRDL = AQ_CLEAR;
EPwm1Regs.AQCTLA.bit.CAU = AQ_SET;
EPwm1Regs.AQCTLB.bit.PRDL = AQ_CLEAR;
EPwm1Regs.AQCTLB.bit.CBU = AQ_SET;
//
// Run Time
// =====
EPwm1Regs.CMPA.half.CMPA = Duty1A;   // adjust duty for output EPWM1A
EPwm1Regs.CMPB = Duty1B;             // adjust duty for output EPWM1B
    
```

**Figure 26. Up-Count, Pulse Placement Asymmetric Waveform With Independent Modulation on EPWMxA**


- A  $PWM\ frequency = 1 / ((TBPRD + 1) \times T_{TBCLK})$
- B Pulse can be placed anywhere within the PWM cycle (0000 - TBPRD)
- C High time duty proportional to (CMPB - CMPA)
- D EPWMxB can be used to generate a 50% duty square wave with frequency =  $\frac{1}{2} \times (TBPRD + 1) \times TBCLK$

**Example 3** contains a code sample showing initialization and run time for the waveforms [Figure 26](#). Use the code in to define the headers.



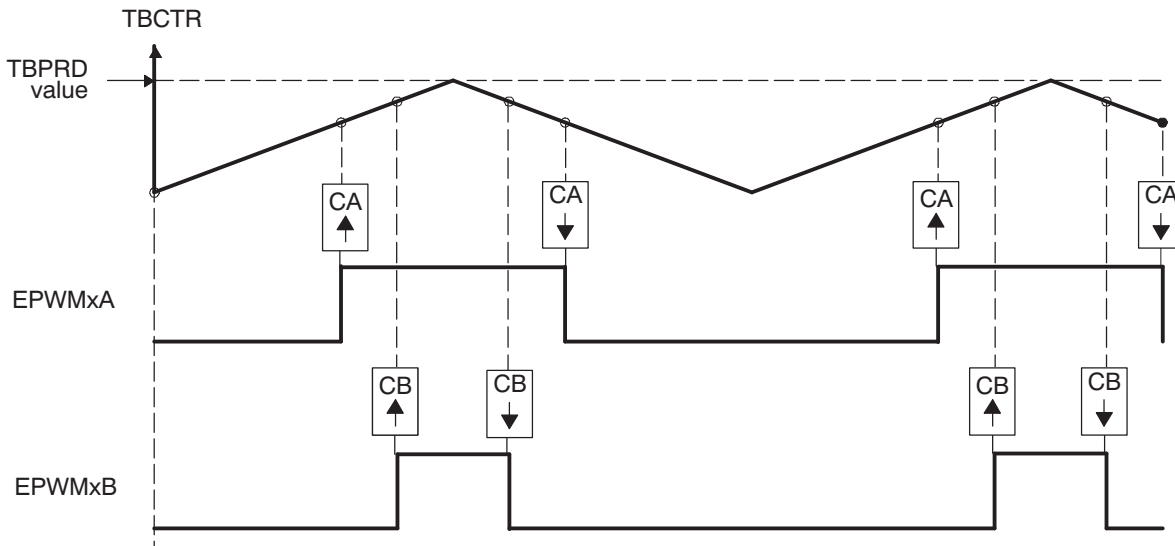
**Example 3. Code Sample for Figure 26**

```

// Initialization Time
// = = = = =
EPwm1Regs.TBPRD = 600; // Period = 601 TBCLK counts
EPwm1Regs.CMPA.half.CMPA = 200; // Compare A = 200 TBCLK counts
EPwm1Regs.CMPB = 400; // Compare B = 400 TBCLK counts
EPwm1Regs.TBPHS = 0; // Set Phase register to zero
EPwm1Regs.TBCTR = 0; // clear TB counter
EPwm1Regs.TBCTL.bit.CTRMODE = TB_COUNT_UP;
EPwm1Regs.TBCTL.bit.PHSEN = TB_DISABLE; // Phase loading disabled
EPwm1Regs.TBCTL.bit.PRDL = TB_SHADOW;
EPwm1Regs.TBCTL.bit.SYNCSEL = TB_SYNC_DISABLE;
EPwm1Regs.TBCTL.bit.HSPCLKDIV = TB_DIV1; // TBCLK = SYSCLKOUT
EPwm1Regs.TBCTL.bit.CLKDIV = TB_DIV1;
EPwm1Regs.CMPCTL.bit.SHDWAMODE = CC_SHADOW;
EPwm1Regs.CMPCTL.bit.SHDWBMODE = CC_SHADOW;
EPwm1Regs.CMPCTL.bit.LOADAMODE = CC_CTR_ZERO; // load on TBCTR = Zero
EPwm1Regs.CMPCTL.bit.LOADBMODE = CC_CTR_ZERO; // load on TBCTR = Zero
EPwm1Regs.AQCTLA.bit.CAU = AQ_SET;
EPwm1Regs.AQCTLA.bit.CBU = AQ_CLEAR;
EPwm1Regs.AQCTLB.bit.ZRO = AQ_TOGGLE;
//
// Run Time
// = = = = =
EPwm1Regs.CMPA.half.CMPA = EdgePosA; // adjust duty for output EPWM1A only
EPwm1Regs.CMPB = EdgePosB;

```

**Figure 27. Up-Down-Count, Dual Edge Symmetric Waveform, With Independent Modulation on EPWMxA and EPWMxB — Active Low**



- A PWM period =  $2 \times \text{TBPRD} \times T_{\text{TBCLK}}$
- B Duty modulation for EPWMxA is set by CMPA, and is active low (that is, the low time duty is proportional to CMPA).
- C Duty modulation for EPWMxB is set by CMPB and is active low (that is, the low time duty is proportional to CMPB).
- D Outputs EPWMxA and EPWMxB can drive independent power switches

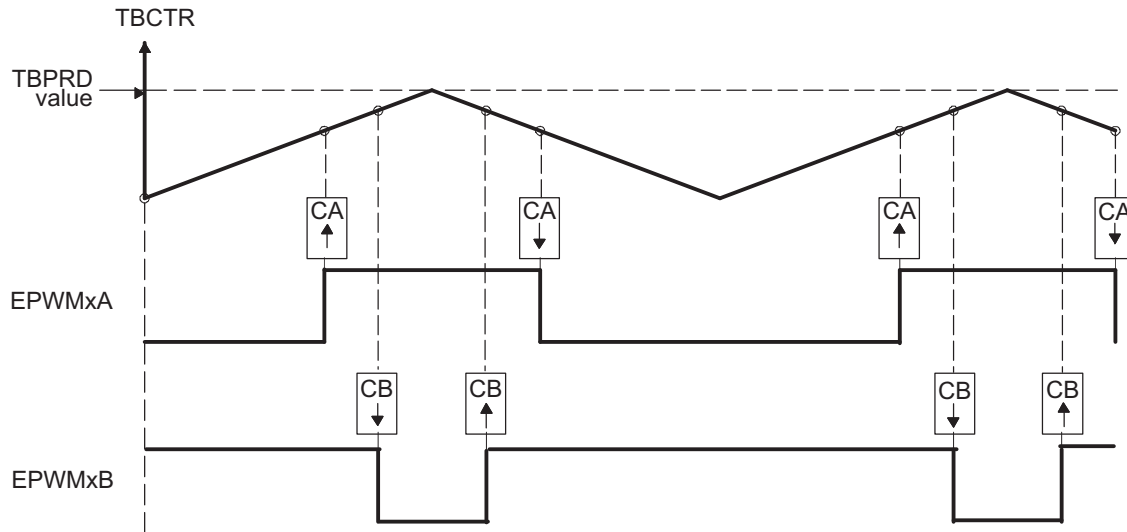
Example 4 contains a code sample showing initialization and run time for the waveforms in Figure 27. Use the code in to define the headers.

**Example 4. Code Sample for Figure 27**

```

// Initialization Time
// =====
EPwm1Regs.TBPRD = 600; // Period = 2'600 TBCLK counts
EPwm1Regs.CMPA.half.CMPA = 400; // Compare A = 400 TBCLK counts
EPwm1Regs.CMPB = 500; // Compare B = 500 TBCLK counts
EPwm1Regs.TBPHS = 0; // Set Phase register to zero
EPwm1Regs.TBCTR = 0; // clear TB counter
EPwm1Regs.TBCTL.bit.CTRMODE = TB_COUNT_UPDOWN; // Symmetric
xEPwm1Regs.TBCTL.bit.PHSEN = TB_DISABLE; // Phase loading disabled
xEPwm1Regs.TBCTL.bit.PRDL = TB_SHADOW;
EPwm1Regs.TBCTL.bit.SYNCSEL = TB_SYNC_DISABLE;
EPwm1Regs.TBCTL.bit.HSPCLKDIV = TB_DIV1; // TBCLK = SYSCLKOUT
EPwm1Regs.TBCTL.bit.CLKDIV = TB_DIV1;
EPwm1Regs.CMPCTL.bit.SHDWAMODE = CC_SHADOW;
EPwm1Regs.CMPCTL.bit.SHDWBMODE = CC_SHADOW;
EPwm1Regs.CMPCTL.bit.LOADAMODE = CC_CTR_ZERO; // load on CTR = Zero
EPwm1Regs.CMPCTL.bit.LOADBMODE = CC_CTR_ZERO; // load on CTR = Zero
EPwm1Regs.AQCTLA.bit.CAU = AQ_SET;
EPwm1Regs.AQCTLA.bit.CAD = AQ_CLEAR;
EPwm1Regs.AQCTLB.bit.CBU = AQ_SET;
EPwm1Regs.AQCTLB.bit.CBD = AQ_CLEAR;
//
// Run Time
// =====
EPwm1Regs.CMPA.half.CMPA = Duty1A; // adjust duty for output EPWM1A
EPwm1Regs.CMPB = Duty1B; // adjust duty for output EPWM1B
    
```

**Figure 28. Up-Down-Count, Dual Edge Symmetric Waveform, With Independent Modulation on EPWMxA and EPWMxB — Complementary**



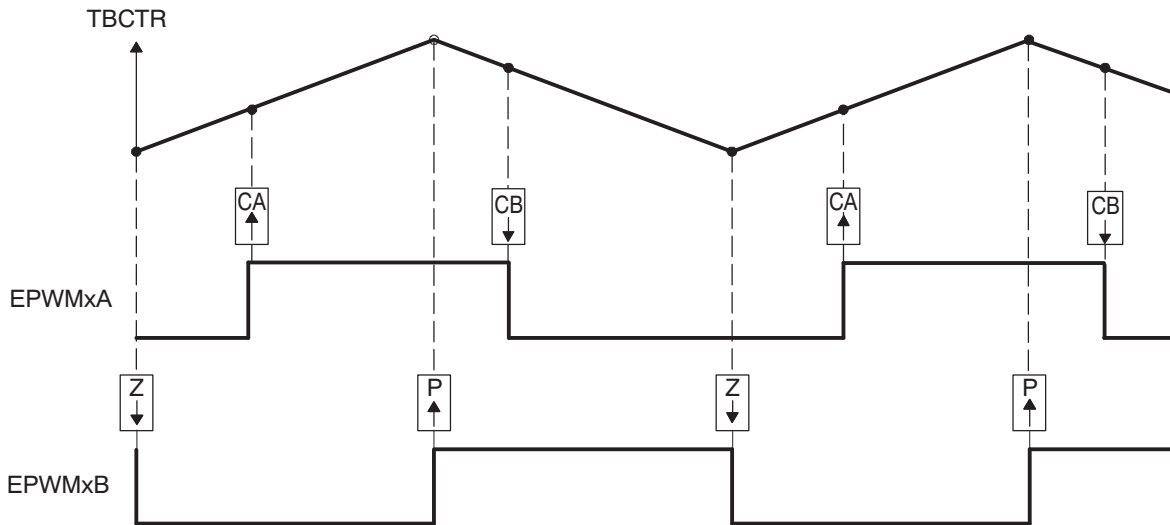
- A PWM period =  $2 \times \text{TBPRD} \times T_{\text{TBCLK}}$
- B Duty modulation for EPWMxA is set by CMPA, and is active low, i.e., low time duty proportional to CMPA
- C Duty modulation for EPWMxB is set by CMPB and is active high, i.e., high time duty proportional to CMPB
- D Outputs EPWMx can drive upper/lower (complementary) power switches
- E Dead-band =  $\text{CMPB} - \text{CMPA}$  (fully programmable edge placement by software). Note the dead-band module is also available if the more classical edge delay method is required.

**Example 5** contains a code sample showing initialization and run time for the waveforms in [Figure 28](#). Use the code in to define the headers.

**Example 5. Code Sample for Figure 28**

```
// Initialization Time
// =====
EPwm1Regs.TBPRD = 600; // Period = 2'600 TBCLK counts
EPwm1Regs.CMPA.half.CMPA = 350; // Compare A = 350 TBCLK counts
EPwm1Regs.CMPB = 400; // Compare B = 400 TBCLK counts
EPwm1Regs.TBPHS = 0; // Set Phase register to zero
EPwm1Regs.TBCTR = 0; // clear TB counter
EPwm1Regs.TBCTL.bit.CTRMODE = TB_COUNT_UPDOWN; // Symmetric
EPwm1Regs.TBCTL.bit.PHSEN = TB_DISABLE; // Phase loading disabled
EPwm1Regs.TBCTL.bit.PRDL = TB_SHADOW;
EPwm1Regs.TBCTL.bit.SYNCSEL = TB_SYNC_DISABLE;
EPwm1Regs.TBCTL.bit.HSPCLKDIV = TB_DIV1; // TBCLK = SYSCLKOUT
EPwm1Regs.TBCTL.bit.CLKDIV = TB_DIV1;
EPwm1Regs.CMPCTL.bit.SHDWAMODE = CC_SHADOW;
EPwm1Regs.CMPCTL.bit.SHDWBMODE = CC_SHADOW;
EPwm1Regs.CMPCTL.bit.LOADAMODE = CC_CTR_ZERO; // load on CTR = Zero
EPwm1Regs.CMPCTL.bit.LOADBMODE = CC_CTR_ZERO; // load on CTR = Zero
EPwm1Regs.AQCTLA.bit.CAU = AQ_SET;
EPwm1Regs.AQCTLA.bit.CAD = AQ_CLEAR;
EPwm1Regs.AQCTLB.bit.CBU = AQ_CLEAR;
EPwm1Regs.AQCTLB.bit.CBD = AQ_SET;
// Run Time
// =====
EPwm1Regs.CMPA.half.CMPA = Duty1A; // adjust duty for output EPWM1A
EPwm1Regs.CMPB = Duty1B; // adjust duty for output EPWM1B
```

**Figure 29. Up-Down-Count, Dual Edge Asymmetric Waveform, With Independent Modulation on EPWMxA—Active Low**



- A PWM period =  $2 \times \text{TBPRD} \times \text{TBCLK}$
- B Rising edge and falling edge can be asymmetrically positioned within a PWM cycle. This allows for pulse placement techniques.
- C Duty modulation for EPWMxA is set by CMPA and CMPB.
- D Low time duty for EPWMxA is proportional to  $(\text{CMPA} + \text{CMPB})$ .
- E To change this example to active high, CMPA and CMPB actions need to be inverted (i.e., Set ! Clear and Clear Set).
- F Duty modulation for EPWMxB is fixed at 50% (utilizes spare action resources for EPWMxB)

[Example 6](#) contains a code sample showing initialization and run time for the waveforms in [Figure 29](#). Use the code in to define the headers.

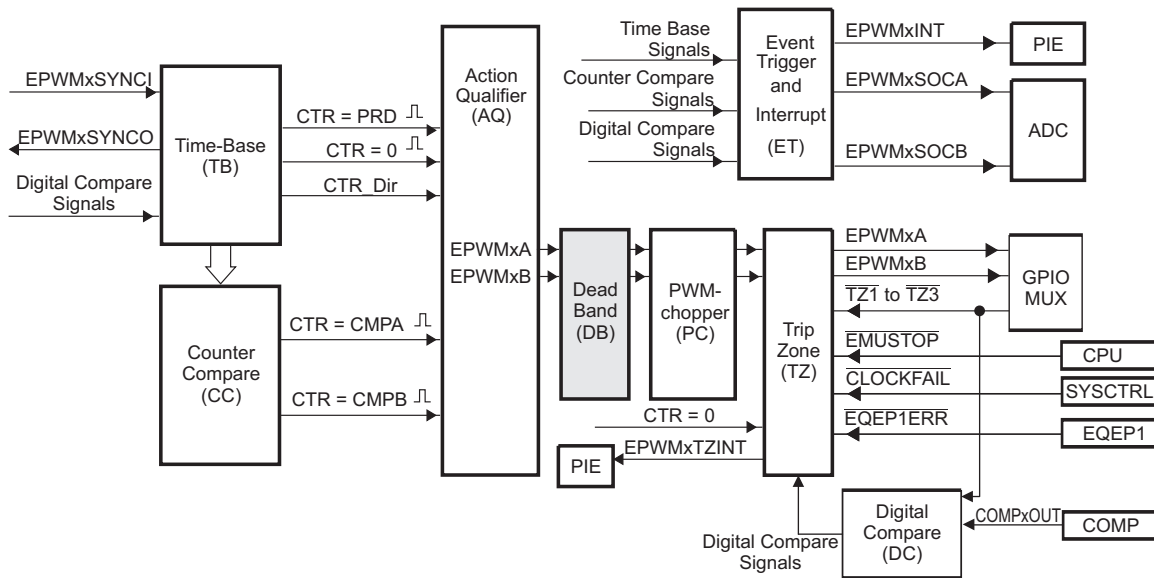
**Example 6. Code Sample for Figure 29**

```
// Initialization Time
// =====
EPwm1Regs.TBPRD = 600; // Period = 2 ^ 600 TBCLK counts
EPwm1Regs.CMPA.half.CMPA = 250; // Compare A = 250 TBCLK counts
EPwm1Regs.CMPB = 450; // Compare B = 450 TBCLK counts
EPwm1Regs.TBPHS = 0; // Set Phase register to zero
EPwm1Regs.TBCTR = 0; // clear TB counter
EPwm1Regs.TBCTL.bit.CTRMODE = TB_COUNT_UPDOWN; // Symmetric
EPwm1Regs.TBCTL.bit.PHSEN = TB_DISABLE; // Phase loading disabled
EPwm1Regs.TBCTL.bit.PRDL = TB_SHADOW;
EPwm1Regs.TBCTL.bit.SYNCSEL = TB_SYNC_DISABLE;
EPwm1Regs.TBCTL.bit.HSPCLKDIV = TB_DIV1; // TBCLK = SYSCLKOUT
EPwm1Regs.TBCTL.bit.CLKDIV = TB_DIV1;
EPwm1Regs.CMPCTL.bit.SHDWAMODE = CC_SHADOW;
EPwm1Regs.CMPCTL.bit.SHDWBMODE = CC_SHADOW;
EPwm1Regs.CMPCTL.bit.LOADAMODE = CC_CTR_ZERO; // load on CTR = Zero
EPwm1Regs.CMPCTL.bit.LOADM = CC_CTR_ZERO; // load on CTR = Zero
EPwm1Regs.AQCTLA.bit.CAU = AQ_SET;
EPwm1Regs.AQCTLA.bit.CBD = AQ_CLEAR;
EPwm1Regs.AQCTLB.bit.ZRO = AQ_CLEAR;
EPwm1Regs.AQCTLB.bit.PR = AQ_SET;
// Run Time
// =====
EPwm1Regs.CMPA.half.CMPA = EdgePosA; // adjust duty for output EPWM1A only
EPwm1Regs.CMPB = EdgePosB;
```

## 2.5 Dead-Band Generator (DB) Submodule

Figure 30 illustrates the dead-band submodule within the ePWM module.

Figure 30. Dead\_Band Submodule



### 2.5.1 Purpose of the Dead-Band Submodule

The "Action-qualifier (AQ) Module" section discussed how it is possible to generate the required dead-band by having full control over edge placement using both the CMPA and CMPB resources of the ePWM module. However, if the more classical edge delay-based dead-band with polarity control is required, then the dead-band submodule described here should be used.

The key functions of the dead-band module are:

- Generating appropriate signal pairs (EPWMxA and EPWMxB) with dead-band relationship from a single EPWMxA input
- Programming signal pairs for:
  - Active high (AH)
  - Active low (AL)
  - Active high complementary (AHC)
  - Active low complementary (ALC)
- Adding programmable delay to rising edges (RED)
- Adding programmable delay to falling edges (FED)
- Can be totally bypassed from the signal path (note dotted lines in diagram)

### 2.5.2 Controlling and Monitoring the Dead-Band Submodule

The dead-band submodule operation is controlled and monitored via the following registers:

Table 13. Dead-Band Generator Submodule Registers

Register Name	Address offset	Shadowed	Description
DBCTL	0x000F	No	Dead-Band Control Register
DBRED	0x0010	No	Dead-Band Rising Edge Delay Count Register
DBFED	0x0011	No	Dead-Band Falling Edge Delay Count Register

### 2.5.3 Operational Highlights for the Dead-Band Submodule

The following sections provide the operational highlights.

The dead-band submodule has two groups of independent selection options as shown in [Figure 31](#).

- **Input Source Selection:**

The input signals to the dead-band module are the EPWMxA and EPWMxB output signals from the action-qualifier. In this section they will be referred to as EPWMxA In and EPWMxB In. Using the DBCTL[IN\_MODE] control bits, the signal source for each delay, falling-edge or rising-edge, can be selected:

- EPWMxA In is the source for both falling-edge and rising-edge delay. This is the default mode.
- EPWMxA In is the source for falling-edge delay, EPWMxB In is the source for rising-edge delay.
- EPWMxA In is the source for rising edge delay, EPWMxB In is the source for falling-edge delay.
- EPWMxB In is the source for both falling-edge and rising-edge delay.

- **Half Cycle Clcking:**

The dead-band submodule can be clocked using half cycle clocking to double the resolution (i.e. counter clocked at 2x TBCLK)

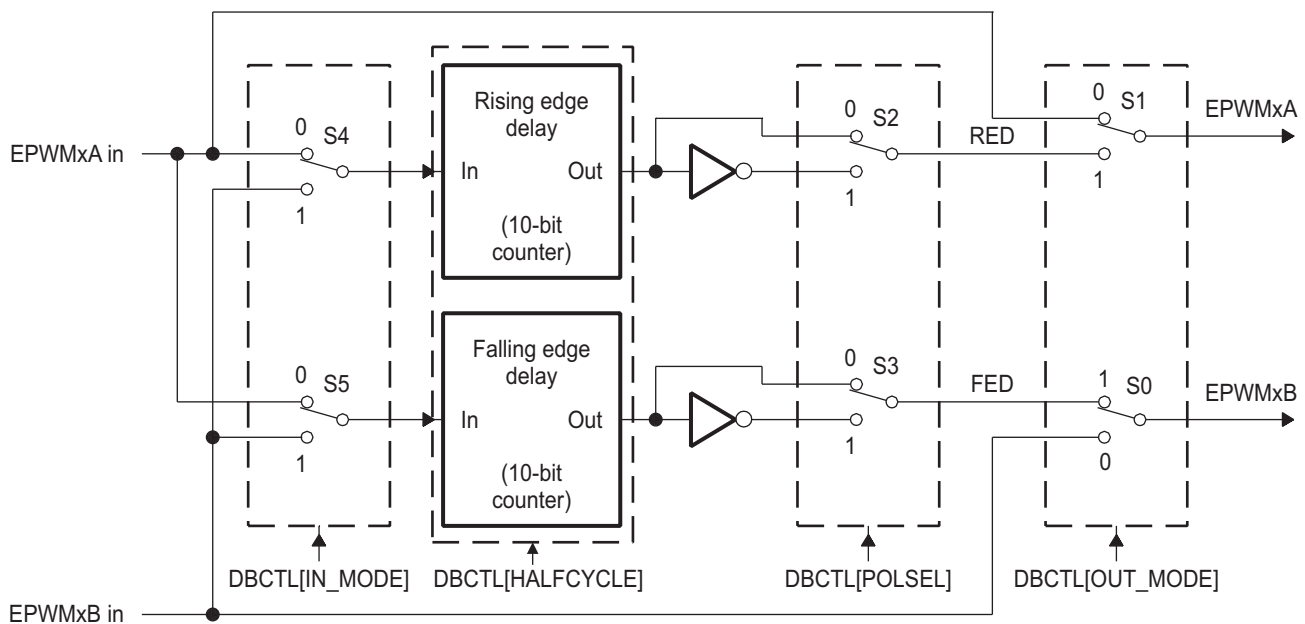
- **Output Mode Control:**

The output mode is configured by way of the DBCTL[OUT\_MODE] bits. These bits determine if the falling-edge delay, rising-edge delay, neither, or both are applied to the input signals.

- **Polarity Control:**

The polarity control (DBCTL[POLSEL]) allows you to specify whether the rising-edge delayed signal and/or the falling-edge delayed signal is to be inverted before being sent out of the dead-band submodule.

**Figure 31. Configuration Options for the Dead-Band Submodule**



Although all combinations are supported, not all are typical usage modes. [Table 14](#) documents some classical dead-band configurations. These modes assume that the DBCTL[IN\_MODE] is configured such that EPWMxA In is the source for both falling-edge and rising-edge delay. Enhanced, or non-traditional modes can be achieved by changing the input signal source. The modes shown in [Table 14](#) fall into the following categories:

- **Mode 1: Bypass both falling-edge delay (FED) and rising-edge delay (RED)**

Allows you to fully disable the dead-band submodule from the PWM signal path.

- **Mode 2-5: Classical Dead-Band Polarity Settings:**

These represent typical polarity configurations that should address all the active high/low modes

required by available industry power switch gate drivers. The waveforms for these typical cases are shown in [Figure 32](#). Note that to generate equivalent waveforms to [Figure 32](#), configure the action-qualifier submodule to generate the signal as shown for EPWMxA.

- **Mode 6: Bypass rising-edge-delay and Mode 7: Bypass falling-edge-delay**

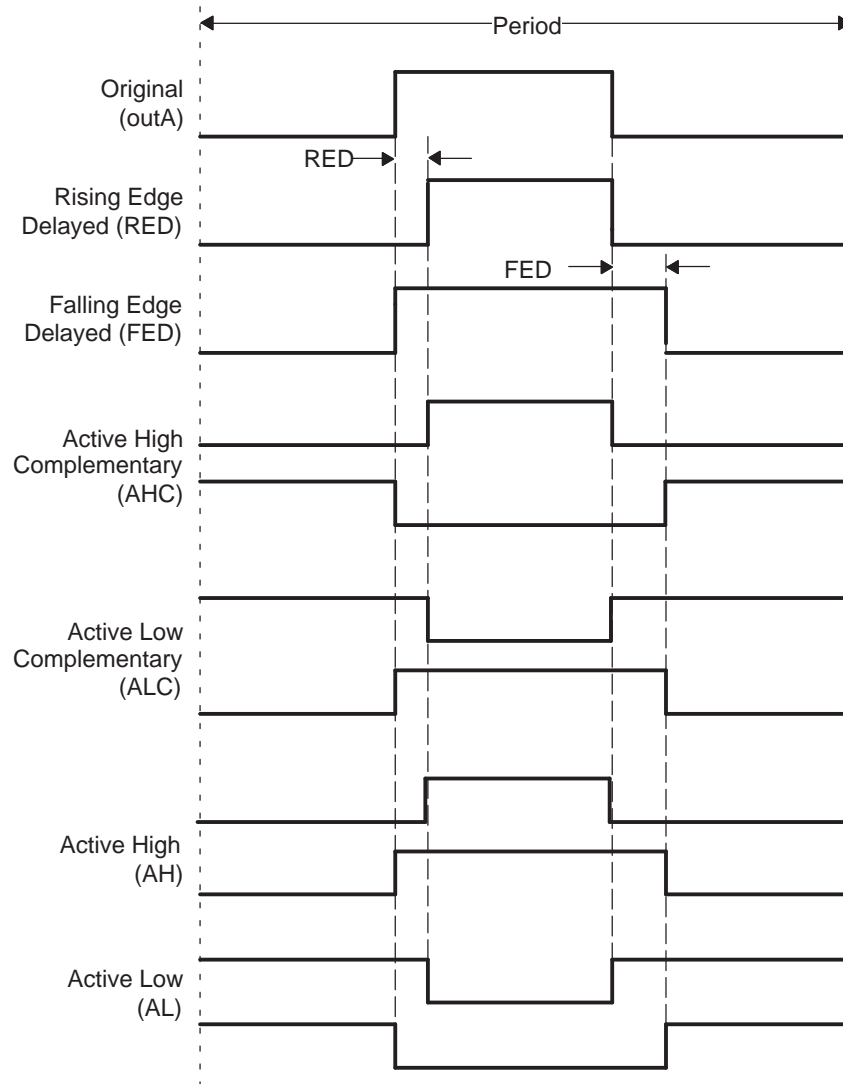
Finally the last two entries in [Table 14](#) show combinations where either the falling-edge-delay (FED) or rising-edge-delay (RED) blocks are bypassed.

**Table 14. Classical Dead-Band Operating Modes**

Mode	Mode Description	DBCTL[POLSEL]		DBCTL[OUT_MODE]	
		S3	S2	S1	S0
1	EPWMxA and EPWMxB Passed Through (No Delay)	X	X	0	0
2	Active High Complementary (AHC)	1	0	1	1
3	Active Low Complementary (ALC)	0	1	1	1
4	Active High (AH)	0	0	1	1
5	Active Low (AL)	1	1	1	1
6	EPWMxA Out = EPWMxA In (No Delay) EPWMxB Out = EPWMxA In with Falling Edge Delay	0 or 1	0 or 1	0	1
7	EPWMxA Out = EPWMxA In with Rising Edge Delay EPWMxB Out = EPWMxB In with No Delay	0 or 1	0 or 1	1	0

Figure 32 shows waveforms for typical cases where  $0\% < \text{duty} < 100\%$ .

**Figure 32. Dead-Band Waveforms for Typical Cases ( $0\% < \text{Duty} < 100\%$ )**





The dead-band submodule supports independent values for rising-edge (RED) and falling-edge (FED) delays. The amount of delay is programmed using the DBRED and DBFED registers. These are 10-bit registers and their value represents the number of time-base clock, TBCLK, periods a signal edge is delayed by. For example, the formula to calculate falling-edge-delay and rising-edge-delay are:

$$\text{FED} = \text{DBFED} \times T_{\text{TBCLK}}$$

$$\text{RED} = \text{DBRED} \times T_{\text{TBCLK}}$$

Where  $T_{\text{TBCLK}}$  is the period of TBCLK, the prescaled version of SYSCLKOUT.

For convenience, delay values for various TBCLK options are shown in [Table 15](#).

**Table 15. Dead-Band Delay Values in  $\mu\text{S}$  as a Function of DBFED and DBRED**

Dead-Band Value	Dead-Band Delay in $\mu\text{S}$			
	DBFED, DBRED	TBCLK = SYSCLKOUT/1	TBCLK = SYSCLKOUT /2	TBCLK = SYSCLKOUT/4
1		0.01 $\mu\text{S}$	0.02 $\mu\text{S}$	0.04 $\mu\text{S}$
5		0.05 $\mu\text{S}$	0.10 $\mu\text{S}$	0.20 $\mu\text{S}$
10		0.10 $\mu\text{S}$	0.20 $\mu\text{S}$	0.40 $\mu\text{S}$
100		1.00 $\mu\text{S}$	2.00 $\mu\text{S}$	4.00 $\mu\text{S}$
200		2.00 $\mu\text{S}$	4.00 $\mu\text{S}$	8.00 $\mu\text{S}$
300		3.00 $\mu\text{S}$	6.00 $\mu\text{S}$	12.00 $\mu\text{S}$
400		4.00 $\mu\text{S}$	8.00 $\mu\text{S}$	16.00 $\mu\text{S}$
500		5.00 $\mu\text{S}$	10.00 $\mu\text{S}$	20.00 $\mu\text{S}$
600		6.00 $\mu\text{S}$	12.00 $\mu\text{S}$	24.00 $\mu\text{S}$
700		7.00 $\mu\text{S}$	14.00 $\mu\text{S}$	28.00 $\mu\text{S}$
800		8.00 $\mu\text{S}$	16.00 $\mu\text{S}$	32.00 $\mu\text{S}$
900		9.00 $\mu\text{S}$	18.00 $\mu\text{S}$	36.00 $\mu\text{S}$
1000		10.00 $\mu\text{S}$	20.00 $\mu\text{S}$	40.00 $\mu\text{S}$

When half-cycle clocking is enabled, the formula to calculate the falling-edge-delay and rising-edge-delay becomes:

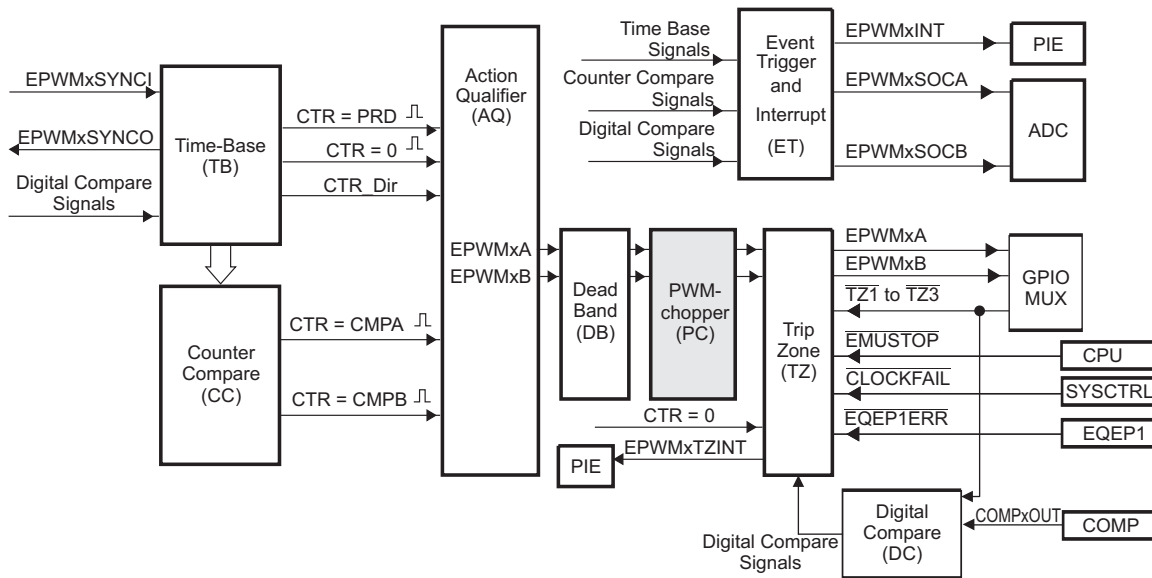
$$\text{FED} = \text{DBFED} \times T_{\text{TBCLK}}/2$$

$$\text{RED} = \text{DBRED} \times T_{\text{TBCLK}}/2$$

## 2.6 PWM-Chopper (PC) Submodule

Figure 33 illustrates the PWM-chopper (PC) submodule within the ePWM module.

**Figure 33. PWM-Chopper Submodule**



The PWM-chopper submodule allows a high-frequency carrier signal to modulate the PWM waveform generated by the action-qualifier and dead-band submodules. This capability is important if you need pulse transformer-based gate drivers to control the power switching elements.

### 2.6.1 Purpose of the PWM-Chopper Submodule

The key functions of the PWM-chopper submodule are:

- Programmable chopping (carrier) frequency
- Programmable pulse width of first pulse
- Programmable duty cycle of second and subsequent pulses
- Can be fully bypassed if not required

### 2.6.2 Controlling the PWM-Chopper Submodule

The PWM-chopper submodule operation is controlled via the registers in [Table 16](#).

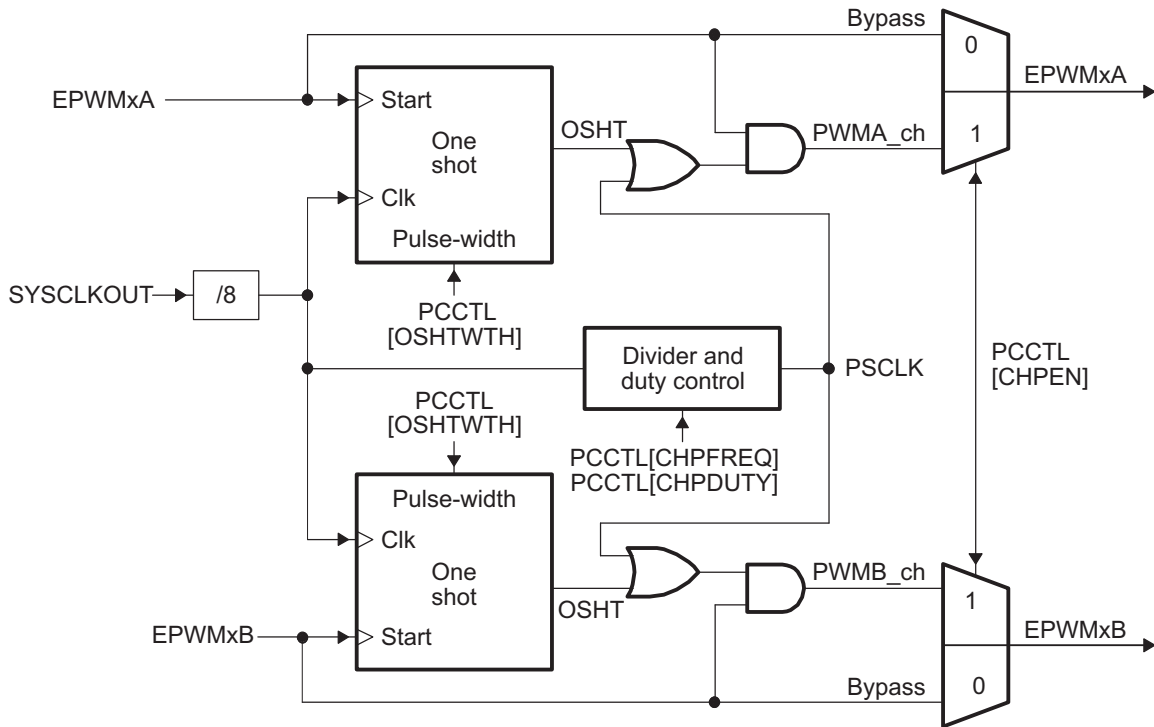
**Table 16. PWM-Chopper Submodule Registers**

mnemonic	Address offset	Shadowed	Description
PCCTL	0x001E	No	PWM-chopper Control Register

### 2.6.3 Operational Highlights for the PWM-Chopper Submodule

Figure 34 shows the operational details of the PWM-chopper submodule. The carrier clock is derived from SYSCLOCKOUT. Its frequency and duty cycle are controlled via the CHPFREQ and CHPDUTY bits in the PCCTL register. The one-shot block is a feature that provides a high energy first pulse to ensure hard and fast power switch turn on, while the subsequent pulses sustain pulses, ensuring the power switch remains on. The one-shot width is programmed via the OSHTWTH bits. The PWM-chopper submodule can be fully disabled (bypassed) via the CHPEN bit.

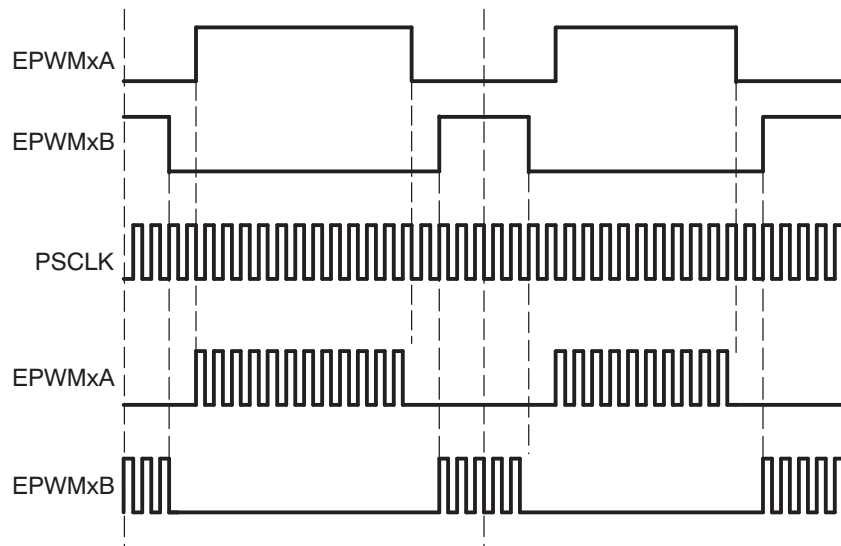
Figure 34. PWM-Chopper Submodule Operational Details



### 2.6.4 Waveforms

Figure 35 shows simplified waveforms of the chopping action only; one-shot and duty-cycle control are not shown. Details of the one-shot and duty-cycle control are discussed in the following sections.

Figure 35. Simple PWM-Chopper Submodule Waveforms Showing Chopping Action Only



### 2.6.4.1 One-Shot Pulse

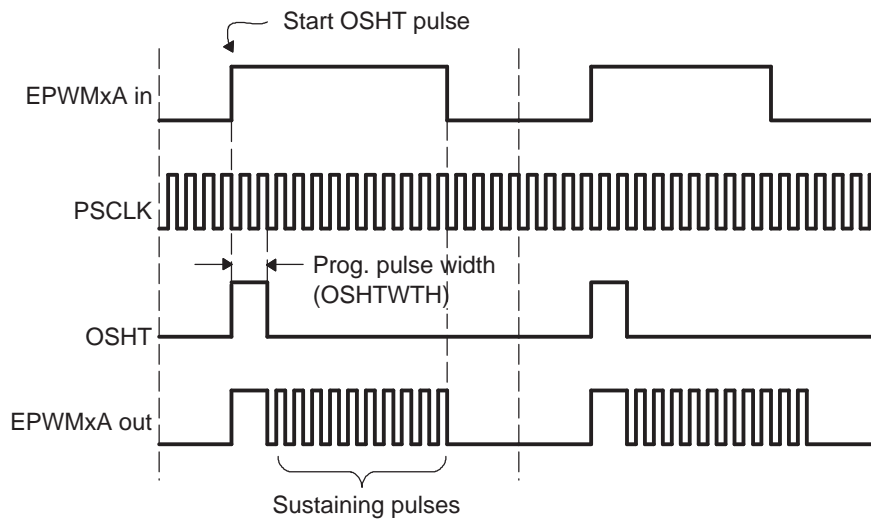
The width of the first pulse can be programmed to any of 16 possible pulse width values. The width or period of the first pulse is given by:

$$T_{1\text{stpulse}} = T_{\text{SYSCLKOUT}} \times 8 \times \text{OSHTWTH}$$

Where  $T_{\text{SYSCLKOUT}}$  is the period of the system clock (SYSCLKOUT) and OSHTWTH is the four control bits (value from 1 to 16)

Figure 36 shows the first and subsequent sustaining pulses and Table 7.3 gives the possible pulse width values for a SYSCLKOUT = 100 MHz.

**Figure 36. PWM-Chopper Submodule Waveforms Showing the First Pulse and Subsequent Sustaining Pulses**



**Table 17. Possible Pulse Width Values for SYSCLKOUT = 100 MHz**

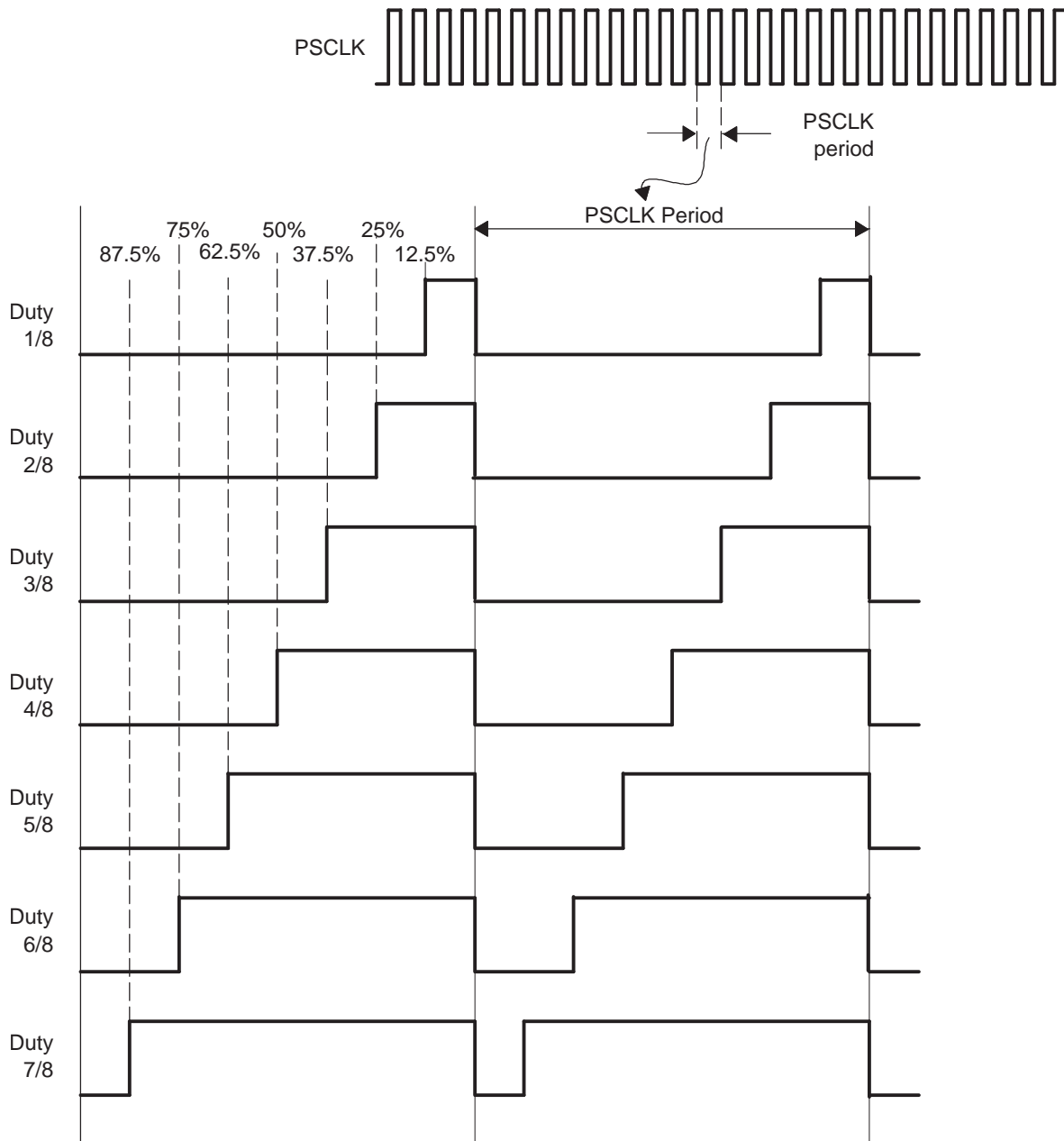
OSHTWTHz (hex)	Pulse Width (nS)
0	80
1	160
2	240
3	320
4	400
5	480
6	560
7	640
8	720
9	800
A	880
B	960
C	1040
D	1120
E	1200
F	1280

### 2.6.4.2 Duty Cycle Control

Pulse transformer-based gate drive designs need to comprehend the magnetic properties or characteristics of the transformer and associated circuitry. Saturation is one such consideration. To assist the gate drive designer, the duty cycles of the second and subsequent pulses have been made programmable. These sustaining pulses ensure the correct drive strength and polarity is maintained on the power switch gate during the on period, and hence a programmable duty cycle allows a design to be tuned or optimized via software control.

Figure 37 shows the duty cycle control that is possible by programming the CHPDUTY bits. One of seven possible duty ratios can be selected ranging from 12.5% to 87.5%.

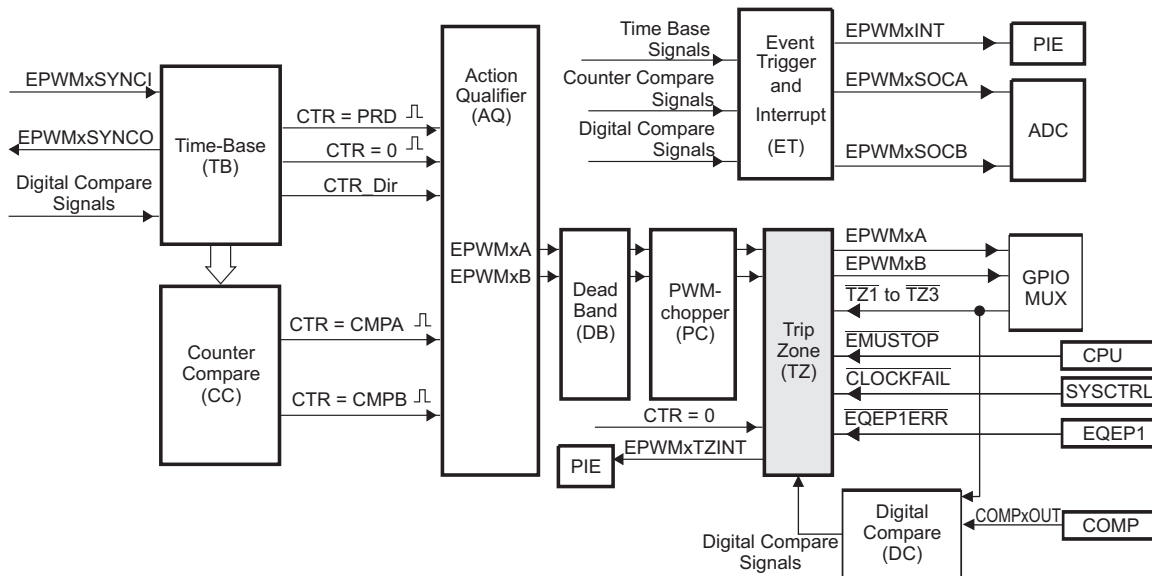
**Figure 37. PWM-Chopper Submodule Waveforms Showing the Pulse Width (Duty Cycle) Control of Sustaining Pulses**



## 2.7 Trip-Zone (TZ) Submodule

Figure 38 shows how the trip-zone (TZ) submodule fits within the ePWM module.

**Figure 38. Trip-Zone Submodule**



Each ePWM module is connected to six  $\overline{TZn}$  signals ( $\overline{TZ1}$  to  $\overline{TZ6}$ ).  $\overline{TZ1}$  to  $\overline{TZ3}$  are sourced from the GPIO mux.  $\overline{TZ4}$  is sourced from an inverted EQEP1ERR signal on those devices with an EQEP1 module.  $\overline{TZ5}$  is connected to the system clock fail logic, and  $\overline{TZ6}$  is sourced from the EMUSTOP output from the CPU. These signals indicate external fault or trip conditions, and the ePWM outputs can be programmed to respond accordingly when faults occur.

### 2.7.1 Purpose of the Trip-Zone Submodule

The key functions of the Trip-Zone submodule are:

- Trip inputs  $\overline{TZ1}$  to  $\overline{TZ6}$  can be flexibly mapped to any ePWM module.
- Upon a fault condition, outputs EPWMxA and EPWMxB can be forced to one of the following:
  - High
  - Low
  - High-impedance
  - No action taken
- Support for one-shot trip (OSHT) for major short circuits or over-current conditions.
- Support for cycle-by-cycle tripping (CBC) for current limiting operation.
- Support for digital compare tripping (DC) based on state of on-chip analog comparator module outputs and/or  $\overline{TZ1}$  to  $\overline{TZ3}$  signals.
- Each trip-zone input and digital compare (DC) submodule DCAEVT1/2 or DCBEVT1/2 force event can be allocated to either one-shot or cycle-by-cycle operation.
- Interrupt generation is possible on any trip-zone input.
- Software-forced tripping is also supported.
- The trip-zone submodule can be fully bypassed if it is not required.

## 2.7.2 Controlling and Monitoring the Trip-Zone Submodule

The trip-zone submodule operation is controlled and monitored through the following registers:

**Table 18. Trip-Zone Submodule Registers**

Register Name	Address offset	Shadowed	Description <sup>(1)</sup>
TZSEL	0x0012	No	Trip-Zone Select Register
TZDCSEL	0x0013	No	Trip-zone Digital Compare Select Register <sup>(2)</sup>
TZCTL	0x0014	No	Trip-Zone Control Register
TZEINT	0x0015	No	Trip-Zone Enable Interrupt Register
TZFLG	0x0016	No	Trip-Zone Flag Register
TZCLR	0x0017	No	Trip-Zone Clear Register
TZFRC	0x0018	No	Trip-Zone Force Register

<sup>(1)</sup> All trip-zone registers are EALLOW protected and can be modified only after executing the EALLOW instruction. For more information, see the device-specific version of the System Control and Interrupts Reference Guide listed in Section 1.

<sup>(2)</sup> This register is discussed in more detail in [Section 2.9](#) Digital Compare submodule.

## 2.7.3 Operational Highlights for the Trip-Zone Submodule

The following sections describe the operational highlights and configuration options for the trip-zone submodule.

The trip-zone signals  $\overline{TZ1}$  to  $\overline{TZ6}$  (also collectively referred to as  $\overline{TZn}$ ) are active low input signals. When one of these signals goes low, or when a DCAEVT1/2 or DCBEVT1/2 force happens based on the TZDCSEL register event selection, it indicates that a trip event has occurred. Each ePWM module can be individually configured to ignore or use each of the trip-zone signals or DC events. Which trip-zone signals or DC events are used by a particular ePWM module is determined by the TZSEL register for that specific ePWM module. The trip-zone signals may or may not be synchronized to the system clock (SYSCLKOUT) and digitally filtered within the GPIO MUX block. A minimum of  $3 \cdot TBCLK$  low pulse width on  $\overline{TZn}$  inputs is sufficient to trigger a fault condition on the ePWM module. If the pulse width is less than this, the trip condition may not be latched by CBC or OST latches. The asynchronous trip makes sure that if clocks are missing for any reason, the outputs can still be tripped by a valid event present on  $\overline{TZn}$  inputs. The GPIOs or peripherals must be appropriately configured. For more information, see the device-specific version of the *System Control and Interrupts Reference Guide* listed in [Related Documentation From Texas Instruments](#).

Each  $\overline{TZn}$  input can be individually configured to provide either a cycle-by-cycle or one-shot trip event for an ePWM module. DCAEVT1 and DCBEVT1 events can be configured to directly trip an ePWM module or provide a one-shot trip event to the module. Likewise, DCAEVT2 and DCBEVT2 events can also be configured to directly trip an ePWM module or provide a cycle-by-cycle trip event to the module. This configuration is determined by the TZSEL[DCAEVT1/2], TZSEL[DCBEVT1/2], TZSEL[CBCn], and TZSEL[OSHTn] control bits (where n corresponds to the trip input) respectively.

- **Cycle-by-Cycle (CBC):**

When a cycle-by-cycle trip event occurs, the action specified in the TZCTL[TZA] and TZCTL[TZB] bits is carried out immediately on the EPWMxA and/or EPWMxB output. [Table 19](#) lists the possible actions. In addition, the cycle-by-cycle trip event flag (TZFLG[CBC]) is set and a EPWMx\_TZINT interrupt is generated if it is enabled in the TZEINT register and PIE peripheral.

If the CBC interrupt is enabled via the TZEINT register, and DCAEVT2 or DCBEVT2 are selected as CBC trip sources via the TZSEL register, it is not necessary to also enable the DCAEVT2 or DCBEVT2 interrupts in the TZEINT register, as the DC events trigger interrupts through the CBC mechanism.

The specified condition on the inputs is automatically cleared when the ePWM time-base counter reaches zero (TBCTR = 0x0000) if the trip event is no longer present. Therefore, in this mode, the trip event is cleared or reset every PWM cycle. The TZFLG[CBC] flag bit will remain set until it is manually cleared by writing to the TZCLR[CBC] bit. If the cycle-by-cycle trip event is still present when the TZFLG[CBC] bit is cleared, then it will again be immediately set.

- **One-Shot (OSHT):**

When a one-shot trip event occurs, the action specified in the TZCTL[TZA] and TZCTL[TZB] bits is carried out immediately on the EPWMxA and/or EPWMxB output. [Table 19](#) lists the possible actions.

In addition, the one-shot trip event flag (TZFLG[OST]) is set and a EPWMx\_TZINT interrupt is generated if it is enabled in the TZEINT register and PIE peripheral. The one-shot trip condition must be cleared manually by writing to the TZCLR[OST] bit.

If the one-shot interrupt is enabled via the TZEINT register, and DCAEVT1 or DCBEVT1 are selected as OSHT trip sources via the TZSEL register, it is not necessary to also enable the DCAEVT1 or DCBEVT1 interrupts in the TZEINT register, as the DC events trigger interrupts through the OSHT mechanism.

- **Digital Compare Events (DCAEVT1/2 and DCBEVT1/2):**

A digital compare DCAEVT1/2 or DCBEVT1/2 event is generated based on a combination of the DCAH/DCAL and DCBH/DCBL signals as selected by the TZDCSEL register. The signals which source the DCAH/DCAL and DCBH/DCBL signals are selected via the DCTRIPSEL register and can be either trip zone input pins or analog comparator COMPxOUT signals. For more information on the digital compare submodule signals, see [Section 2.9](#).

When a digital compare event occurs, the action specified in the TZCTL[DCAEVT1/2] and TZCTL[DCBEVT1/2] bits is carried out immediately on the EPWMxA and/or EPWMxB output. [Table 19](#) lists the possible actions. In addition, the relevant DC trip event flag (TZFLG[DCAEVT1/2] / TZFLG[DCBEVT1/2]) is set and a EPWMx\_TZINT interrupt is generated if it is enabled in the TZEINT register and PIE peripheral.

The specified condition on the pins is automatically cleared when the DC trip event is no longer present. The TZFLG[DCAEVT1/2] or TZFLG[DCBEVT1/2] flag bit will remain set until it is manually cleared by writing to the TZCLR[DCAEVT1/2] or TZCLR[DCBEVT1/2] bit. If the DC trip event is still present when the TZFLG[DCAEVT1/2] or TZFLG[DCBEVT1/2] flag is cleared, then it will again be immediately set.

The action taken when a trip event occurs can be configured individually for each of the ePWM output pins by way of the TZCTL register bit fields. One of four possible actions, shown in [Table 19](#), can be taken on a trip event.



**Table 19. Possible Actions On a Trip Event**

TZCTL Register bit-field Settings	EPWMxA and/or EPWMxB	Comment
0,0	High-Impedance	Tripped
0,1	Force to High State	Tripped
1,0	Force to Low State	Tripped
1,1	No Change	Do Nothing. No change is made to the output.

### Example 7. Trip-Zone Configurations

#### Scenario A:

A one-shot trip event on  $\overline{TZ1}$  pulls both EPWM1A, EPWM1B low and also forces EPWM2A and EPWM2B high.

- Configure the ePWM1 registers as follows:
  - TZSEL[OSHT1] = 1: enables  $\overline{TZ1}$  as a one-shot event source for ePWM1
  - TZCTL[TZA] = 2: EPWM1A will be forced low on a trip event.
  - TZCTL[TZB] = 2: EPWM1B will be forced low on a trip event.
- Configure the ePWM2 registers as follows:
  - TZSEL[OSHT1] = 1: enables  $\overline{TZ1}$  as a one-shot event source for ePWM2
  - TZCTL[TZA] = 1: EPWM2A will be forced high on a trip event.
  - TZCTL[TZB] = 1: EPWM2B will be forced high on a trip event.

#### Scenario B:

A cycle-by-cycle event on  $\overline{TZ5}$  pulls both EPWM1A, EPWM1B low.

A one-shot event on  $\overline{TZ1}$  or  $\overline{TZ6}$  puts EPWM2A into a high impedance state.

- Configure the ePWM1 registers as follows:
  - TZSEL[CBC5] = 1: enables  $\overline{TZ5}$  as a one-shot event source for ePWM1
  - TZCTL[TZA] = 2: EPWM1A will be forced low on a trip event.
  - TZCTL[TZB] = 2: EPWM1B will be forced low on a trip event.
- Configure the ePWM2 registers as follows:
  - TZSEL[OSHT1] = 1: enables  $\overline{TZ1}$  as a one-shot event source for ePWM2
  - TZSEL[OSHT6] = 1: enables  $\overline{TZ6}$  as a one-shot event source for ePWM2
  - TZCTL[TZA] = 0: EPWM2A will be put into a high-impedance state on a trip event.
  - TZCTL[TZB] = 3: EPWM2B will ignore the trip event.

### 2.7.4 Generating Trip Event Interrupts

Figure 39 and Figure 40 illustrate the trip-zone submodule control and interrupt logic, respectively. DCAEVT1/2 and DCBEVT1/2 signals are described in further detail in Section 2.9.

**Figure 39. Trip-Zone Submodule Mode Control Logic**

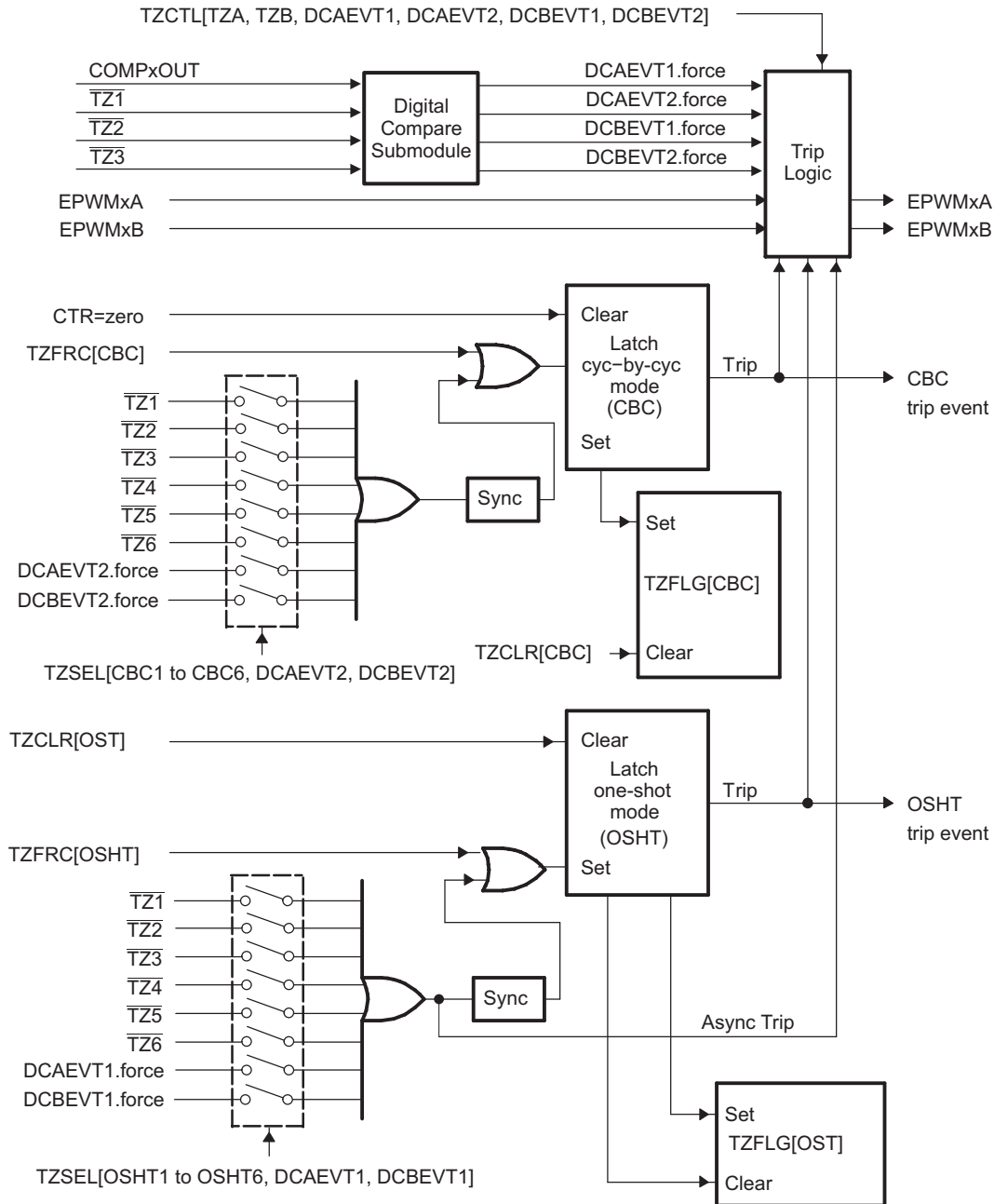
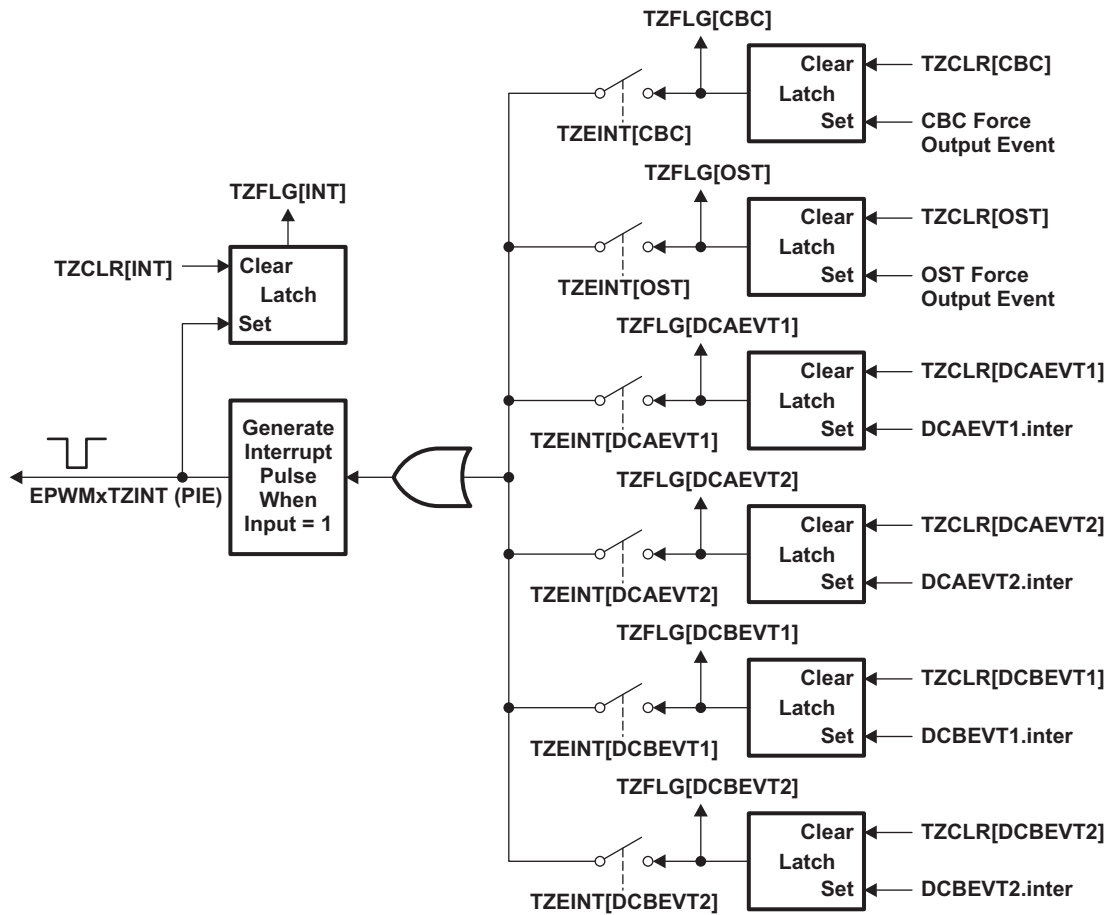


Figure 40. Trip-Zone Submodule Interrupt Logic



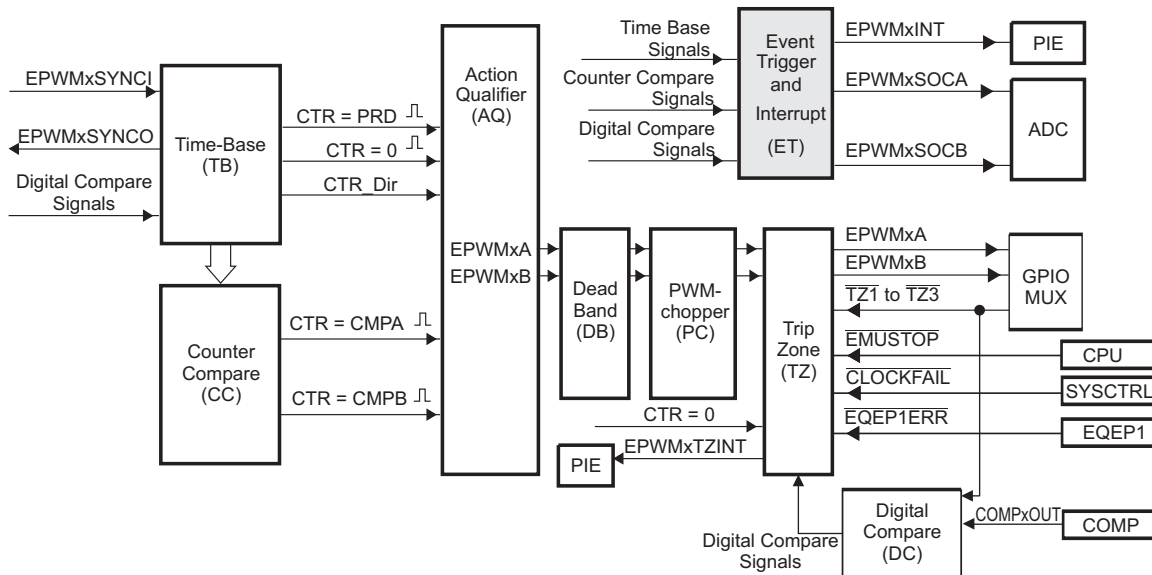
## 2.8 Event-Trigger (ET) Submodule

The key functions of the event-trigger submodule are:

- Receives event inputs generated by the time-base , counter-compare and digital-compare submodules
- Uses the time-base direction information for up/down event qualification
- Uses prescaling logic to issue interrupt requests and ADC start of conversion at:
  - Every event
  - Every second event
  - Every third event
- Provides full visibility of event generation via event counters and flags
- Allows software forcing of Interrupts and ADC start of conversion

The event-trigger submodule manages the events generated by the time-base submodule, the counter-compare submodule, and the digital-compare submodule to generate an interrupt to the CPU and/or a start of conversion pulse to the ADC when a selected event occurs. Figure 41 illustrates where the event-trigger submodule fits within the ePWM system.

Figure 41. Event-Trigger Submodule

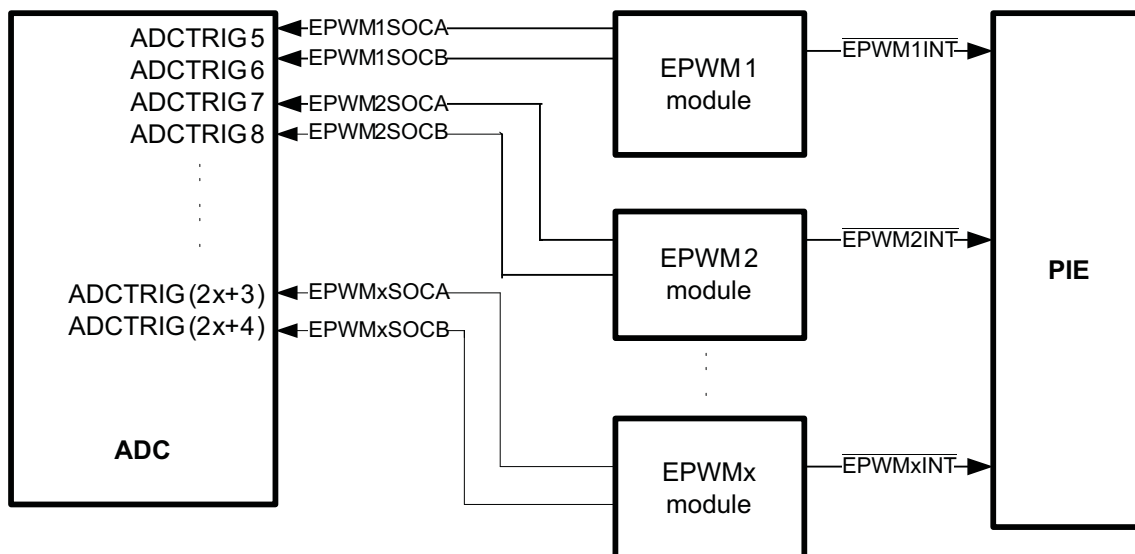


### 2.8.1 Operational Overview of the Event-Trigger Submodule

The following sections describe the event-trigger submodule's operational highlights.

Each ePWM module has one interrupt request line connected to the PIE and two start of conversion signals connected to the ADC module. As shown in Figure 42, ADC start of conversion for all ePWM modules are connected to individual ADC trigger inputs to the ADC, and hence multiple modules can initiate an ADC start of conversion via the ADC trigger inputs.

Figure 42. Event-Trigger Submodule Inter-Connectivity of ADC Start of Conversion

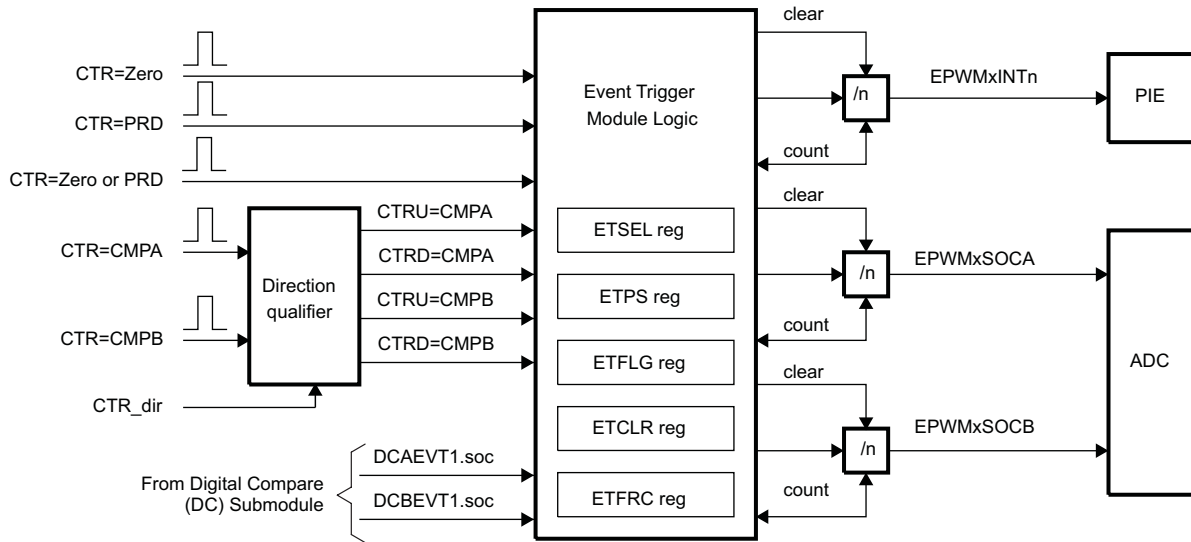


The event-trigger submodule monitors various event conditions (the left side inputs to event-trigger submodule shown in Figure 43) and can be configured to prescale these events before issuing an Interrupt request or an ADC start of conversion. The event-trigger prescaling logic can issue Interrupt requests and ADC start of conversion at:

- Every event
- Every second event

- Every third event

**Figure 43. Event-Trigger Submodule Showing Event Inputs and Prescaled Outputs**



The key registers used to configure the event-trigger submodule are shown in [Table 20](#):

**Table 20. Event-Trigger Submodule Registers**

Register Name	Address offset	Shadowed	Description
ETSEL	0x0019	No	Event-trigger Selection Register
ETPS	0x001A	No	Event-trigger Prescale Register
ETFLG	0x001B	No	Event-trigger Flag Register
ETCLR	0x001C	No	Event-trigger Clear Register
ETFRC	0x001D	No	Event-trigger Force Register

- ETSEL—This selects which of the possible events will trigger an interrupt or start an ADC conversion
- ETPS—This programs the event prescaling options mentioned above.
- ETFLG—These are flag bits indicating status of the selected and prescaled events.
- ETCLR—These bits allow you to clear the flag bits in the ETFLG register via software.
- ETFRC—These bits allow software forcing of an event. Useful for debugging or s/w intervention.

A more detailed look at how the various register bits interact with the Interrupt and ADC start of conversion logic are shown in [Figure 44](#), [Figure 45](#), and [Figure 46](#).

[Figure 44](#) shows the event-trigger's interrupt generation logic. The interrupt-period (ETPS[INTPRD]) bits specify the number of events required to cause an interrupt pulse to be generated. The choices available are:

- Do not generate an interrupt.
- Generate an interrupt on every event
- Generate an interrupt on every second event
- Generate an interrupt on every third event

Which event can cause an interrupt is configured by the interrupt selection (ETSEL[INTSEL]) bits. The event can be one of the following:

- Time-base counter equal to zero (TBCTR = 0x0000).
- Time-base counter equal to period (TBCTR = TBPRD).
- Time-base counter equal to zero or period (TBCTR = 0x0000 || TBCTR = TBPRD)
- Time-base counter equal to the compare A register (CMPA) when the timer is incrementing.
- Time-base counter equal to the compare A register (CMPA) when the timer is decrementing.

- Time-base counter equal to the compare B register (CMPB) when the timer is incrementing.
- Time-base counter equal to the compare B register (CMPB) when the timer is decrementing.

The number of events that have occurred can be read from the interrupt event counter (ETPS[INTCNT]) register bits. That is, when the specified event occurs the ETPS[INTCNT] bits are incremented until they reach the value specified by ETPS[INTPRD]. When ETPS[INTCNT] = ETPS[INTPRD] the counter stops counting and its output is set. The counter is only cleared when an interrupt is sent to the PIE.

When ETPS[INTCNT] reaches ETPS[INTPRD] the following behaviors will occur:

- If interrupts are enabled, ETSEL[INTEN] = 1 and the interrupt flag is clear, ETFLG[INT] = 0, then an interrupt pulse is generated and the interrupt flag is set, ETFLG[INT] = 1, and the event counter is cleared ETPS[INTCNT] = 0. The counter will begin counting events again.
- If interrupts are disabled, ETSEL[INTEN] = 0, or the interrupt flag is set, ETFLG[INT] = 1, the counter stops counting events when it reaches the period value ETPS[INTCNT] = ETPS[INTPRD].
- If interrupts are enabled, but the interrupt flag is already set, then the counter will hold its output high until the ENTFLG[INT] flag is cleared. This allows for one interrupt to be pending while one is serviced.

Writing to the INTPRD bits will automatically clear the counter INTCNT = 0 and the counter output will be reset (so no interrupts are generated). Writing a 1 to the ETFRC[INT] bit will increment the event counter INTCNT. The counter will behave as described above when INTCNT = INTPRD. When INTPRD = 0, the counter is disabled and hence no events will be detected and the ETFRC[INT] bit is also ignored.

The above definition means that you can generate an interrupt on every event, on every second event, or on every third event. An interrupt cannot be generated on every fourth or more events.

**Figure 44. Event-Trigger Interrupt Generator**

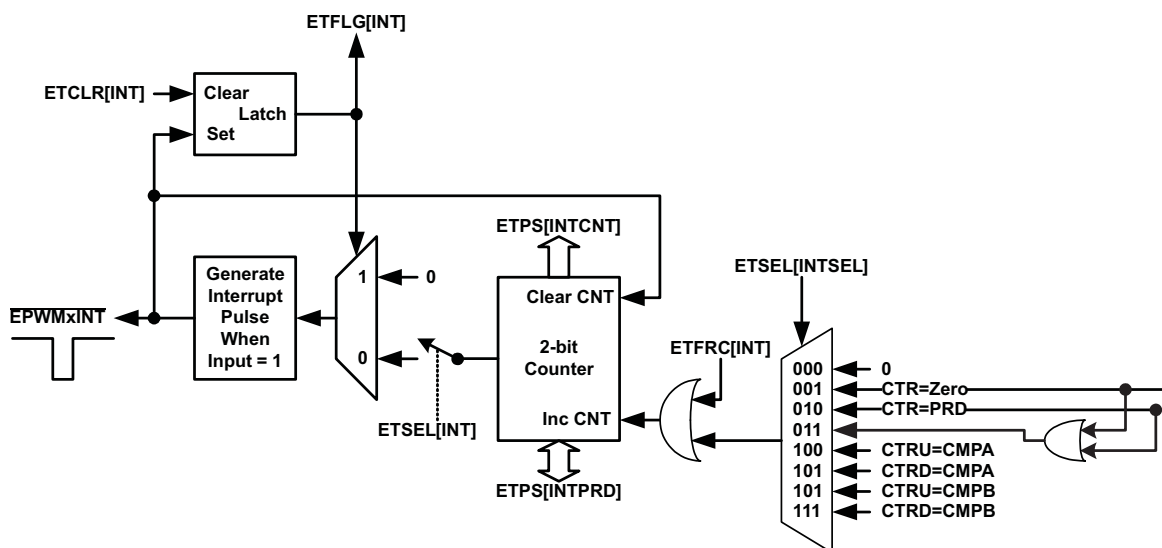
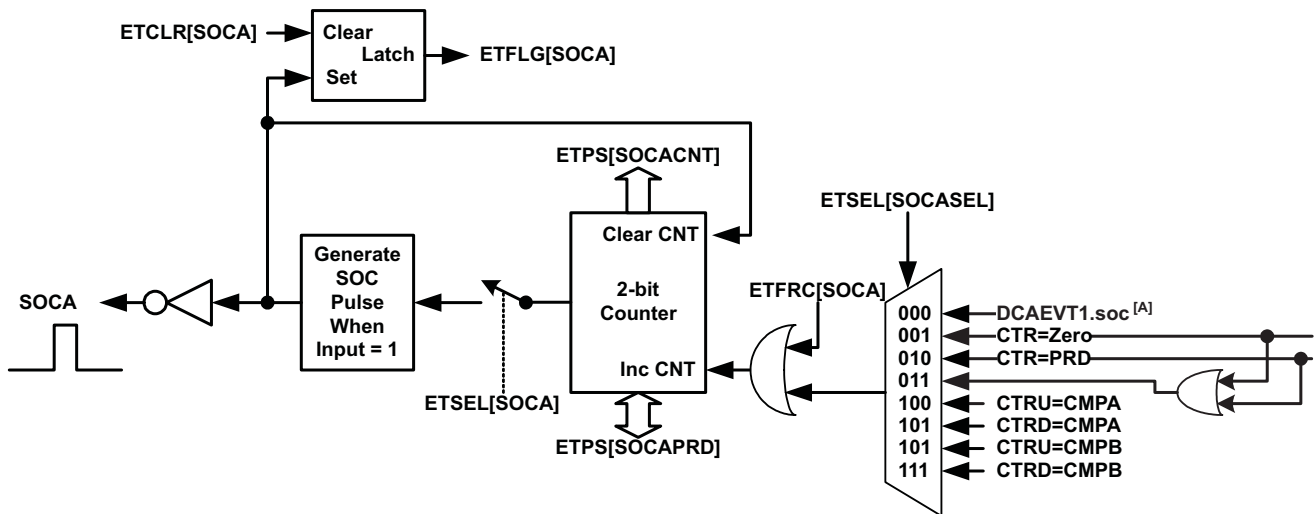


Figure 45 shows the operation of the event-trigger's start-of-conversion-A (SOCA) pulse generator. The ETPS[SOCACNT] counter and ETPS[SOCAPRD] period values behave similarly to the interrupt generator except that the pulses are continuously generated. That is, the pulse flag ETFLG[SOCA] is latched when a pulse is generated, but it does not stop further pulse generation. The enable/disable bit ETSEL[SOCAEN] stops pulse generation, but input events can still be counted until the period value is reached as with the interrupt generation logic. The event that will trigger an SOCA and SOCB pulse can be configured separately in the ETSEL[SOCASEL] and ETSEL[SOCBSEL] bits. The possible events are the same events that can be specified for the interrupt generation logic with the addition of the DCAEVT1.soc and DCBEVT1.soc event signals from the digital compare (DC) submodule.

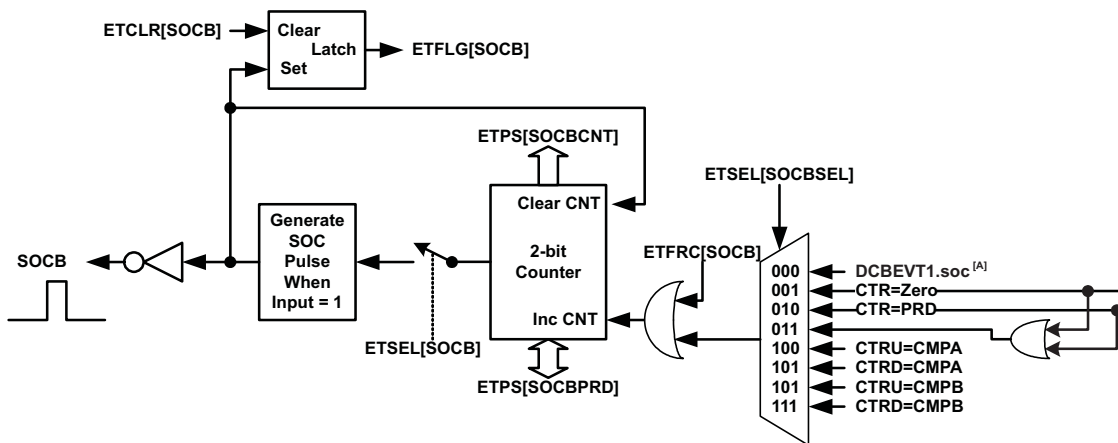
Figure 45. Event-Trigger SOCA Pulse Generator



A The DCAEVT1.soc signals are signals generated by the Digital compare (DC) submodule described later in Section 2.9

Figure 46 shows the operation of the event-trigger's start-of-conversion-B (SOCB) pulse generator. The event-trigger's SOCB pulse generator operates the same way as the SOCA.

Figure 46. Event-Trigger SOCB Pulse Generator

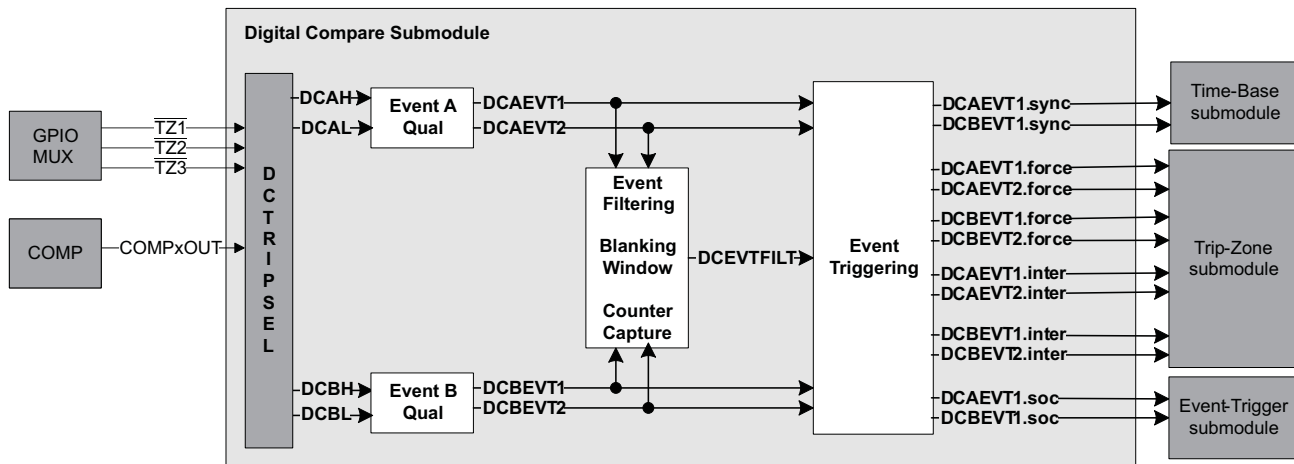


A The DCBEVT1.soc signals are signals generated by the Digital compare (DC) submodule described later in Section 2.9

## 2.9 Digital Compare (DC) Submodule

Figure 47 illustrates where the digital compare (DC) submodule signals interface to other submodules in the ePWM system.

**Figure 47. Digital-Compare Submodule High-Level Block Diagram**



The digital compare (DC) submodule compares signals external to the ePWM module (for instance, COMPxOUT signals from the analog comparators) to directly generate PWM events/actions which then feed to the event-trigger, trip-zone, and time-base submodules. Additionally, blanking window functionality is supported to filter noise or unwanted pulses from the DC event signals.

### 2.9.1 Purpose of the Digital Compare Submodule

The key functions of the digital compare submodule are:

- Analog Comparator (COMP) module outputs and  $\overline{TZ1}$ ,  $\overline{TZ2}$ , and  $\overline{TZ3}$  inputs generate Digital Compare A High/Low (DCAH, DCAL) and Digital Compare B High/Low (DCBH, DCBL) signals.
- DCAH/L and DCBH/L signals trigger events which can then either be filtered or fed directly to the trip-zone, event-trigger, and time-base submodules to:
  - generate a trip zone interrupt
  - generate an ADC start of conversion
  - force an event
  - generate a synchronization event for synchronizing the ePWM module TBCTR.
- Event filtering (blanking window logic) can optionally blank the input signal to remove noise.

### 2.9.2 Controlling and Monitoring the Digital Compare Submodule

The digital compare submodule operation is controlled and monitored through the following registers:

**Table 21. Digital Compare Submodule Registers**

Register Name	Address offset	Shadowed	Description
TZDCSEL <sup>(1) (2)</sup>	0x13	No	Trip Zone Digital Compare Select Register
DCTRIPESEL <sup>(1)</sup>	0x30	No	Digital Compare Trip Select Register
DACTL <sup>(1)</sup>	0x31	No	Digital Compare A Control Register
DCBCTL <sup>(1)</sup>	0x32	No	Digital Compare B Control Register
DCFCTL <sup>(1)</sup>	0x33	No	Digital Compare Filter Control Register
DCCAPCTL <sup>(1)</sup>	0x34	No	Digital Compare Capture Control Register
DCFOFFSET	0x35	Writes	Digital Compare Filter Offset Register
DCFOFFSETCNT	0x36	No	Digital Compare Filter Offset Counter Register
DCFWINDOW	0x37	No	Digital Compare Filter Window Register

<sup>(1)</sup> These registers are EALLOW protected and can be modified only after executing the EALLOW instruction. For more information, see the device-specific version of the System Control and Interrupts Reference Guide.

<sup>(2)</sup> The TZDCSEL register is part of the trip-zone submodule but is mentioned again here because of its functional significance to the digital compare submodule.



**Table 21. Digital Compare Submodule Registers (continued)**

Register Name	Address offset	Shadowed	Description
DCFWINDOWCNT	0x38	No	Digital Compare Filter Window Counter Register
DCCAP	0x39	Yes	Digital Compare Counter Capture Register

### 2.9.3 Operation Highlights of the Digital Compare Submodule

The following sections describe the operational highlights and configuration options for the digital compare submodule.

#### 2.9.3.1 Digital Compare Events

As illustrated in [Figure 47](#) earlier in this section, trip zone inputs ( $\overline{TZ1}$ ,  $\overline{TZ2}$ , and  $\overline{TZ3}$ ) and COMPxOUT signals from the analog comparator (COMP) module can be selected via the DCTRIPSEL bits to generate the Digital Compare A High and Low (DCAH/L) and Digital Compare B High and Low (DCBH/L) signals. Then, the configuration of the TZDCSEL register qualifies the actions on the selected DCAH/L and DCBH/L signals, which generate the DCAEVT1/2 and DCBEVT1/2 events (Event Qualification A and B).

**NOTE:** The  $\overline{TZn}$  signals, when used as a DCEVT tripping functions, are treated as a normal input signal and can be defined to be active high or active low inputs. EPWM outputs are asynchronously tripped when either the  $\overline{TZn}$ , DCAEVTx.force, or DCBEVTx.force signals are active. For the condition to remain latched, a minimum of  $3 \cdot TBCLK$  sync pulse width is required. If pulse width is  $< 3 \cdot TBCLK$  sync pulse width, the trip condition may or may not get latched by CBC or OST latches.

The DCAEVT1/2 and DCBEVT1/2 events can then be filtered to provide a filtered version of the event signals (DCEVTFILT) or the filtering can be bypassed. Filtering is discussed further in section 2.9.3.2. Either the DCAEVT1/2 and DCBEVT1/2 event signals or the filtered DCEVTFILT event signals can generate a force to the trip zone module, a TZ interrupt, an ADC SOC, or a PWM sync signal.

- **force signal:**

DCAEVT1/2.force signals force trip zone conditions which either directly influence the output on the EPWMxA pin (via TZCTL[DCAEVT1 or DCAEVT2] configurations) or, if the DCAEVT1/2 signals are selected as one-shot or cycle-by-cycle trip sources (via the TZSEL register), the DCAEVT1/2.force signals can effect the trip action via the TZCTL[TZA] configuration. The DCBEVT1/2.force signals behaves similarly, but affect the EPWMxB output pin instead of the EPWMxA output pin.

The priority of conflicting actions on the TZCTL register is as follows (highest priority overrides lower priority):

Output EPWMxA: TZA (highest) -> DCAEVT1 -> DCAEVT2 (lowest)

Output EPWMxB: TZB (highest) -> DCBEVT1 -> DCBEVT2 (lowest)

- **interrupt signal:**

DCAEVT1/2.interrupt signals generate trip zone interrupts to the PIE. To enable the interrupt, the user must set the DCAEVT1, DCAEVT2, DCBEVT1, or DCBEVT2 bits in the TZEINT register. Once one of these events occurs, an EPWMxTZINT interrupt is triggered, and the corresponding bit in the TZCLR register must be set in order to clear the interrupt.

- **soc signal:**

The DCAEVT1.soc signal interfaces with the event-trigger submodule and can be selected as an event which generates an ADC start-of-conversion-A (SOCA) pulse via the ETSEL[SOCASEL] bit. Likewise, the DCBEVT1.soc signal can be selected as an event which generates an ADC start-of-conversion-B (SOCB) pulse via the ETSEL[SOCBSEL] bit.

- **sync signal:**

The DCAEVT1.sync and DCBEVT1.sync events are ORed with the EPWMxSYNCl input signal and the TBCTL[SWFSYNC] signal to generate a synchronization pulse to the time-base counter.

The diagrams below show how the DCAEVT1, DCAEVT2 or DCEVTFILT signals are processed to generate the digital compare A event force, interrupt, soc and sync signals.

Figure 48. DCAEVT1 Event Triggering

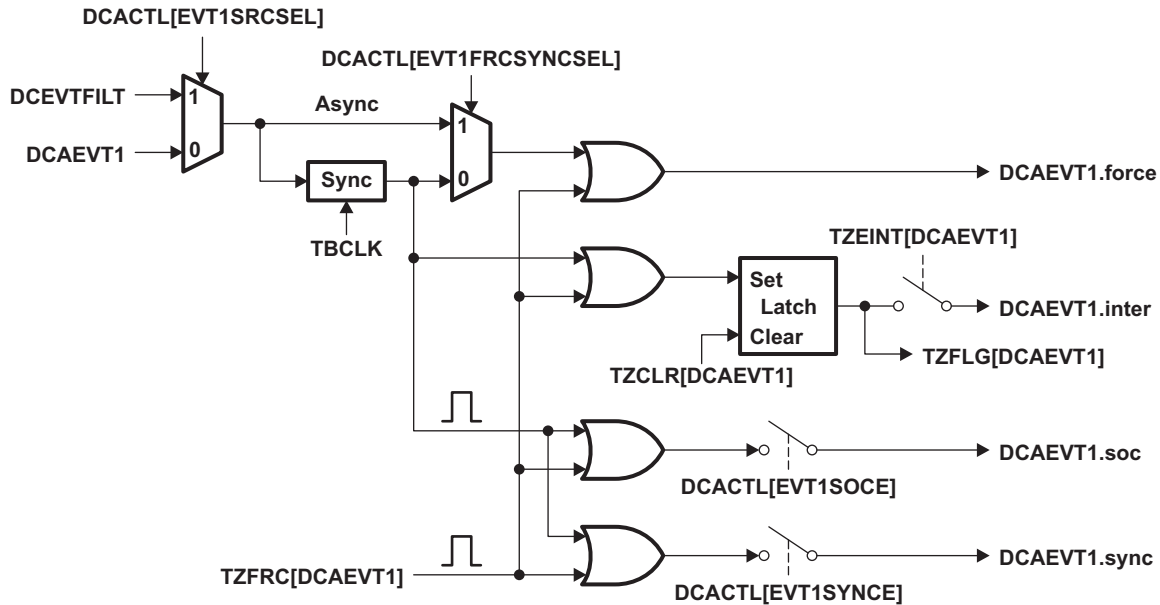
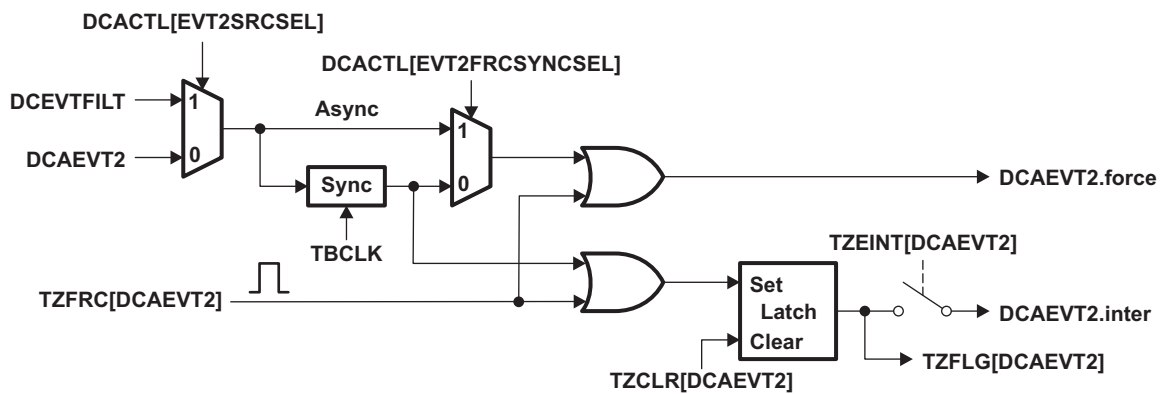
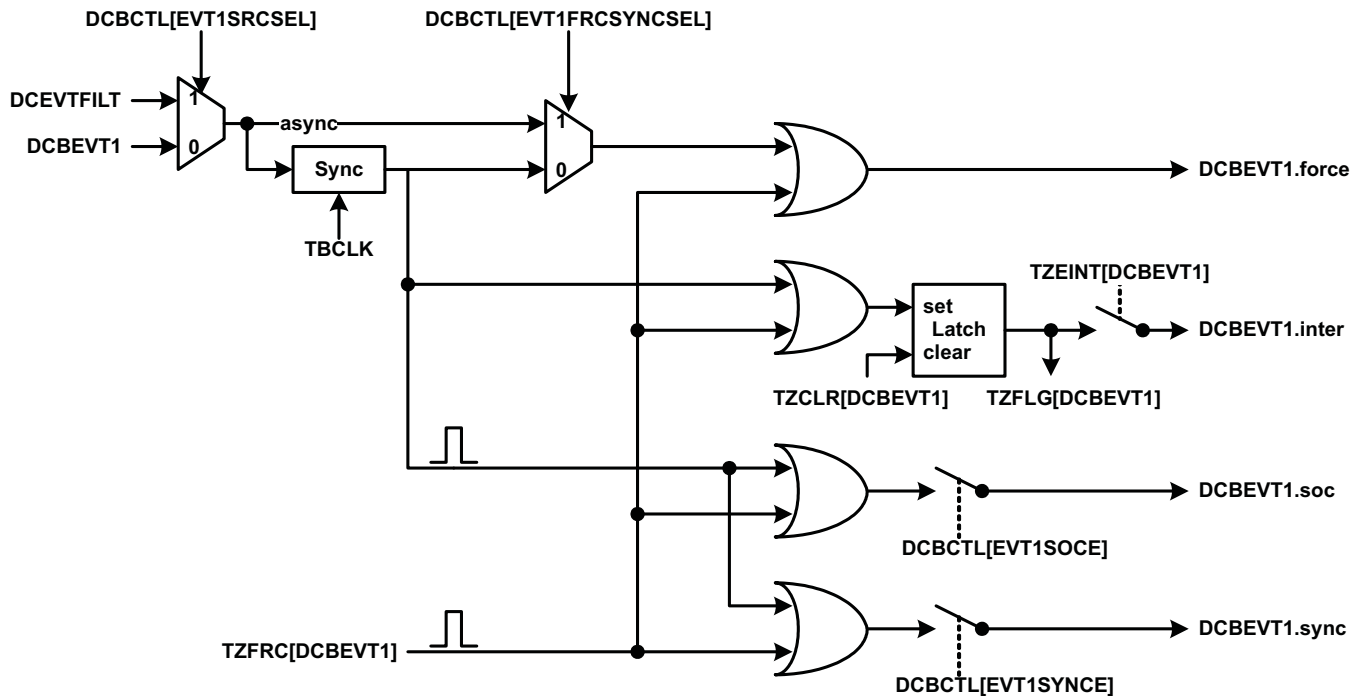


Figure 49. DCAEVT2 Event Triggering

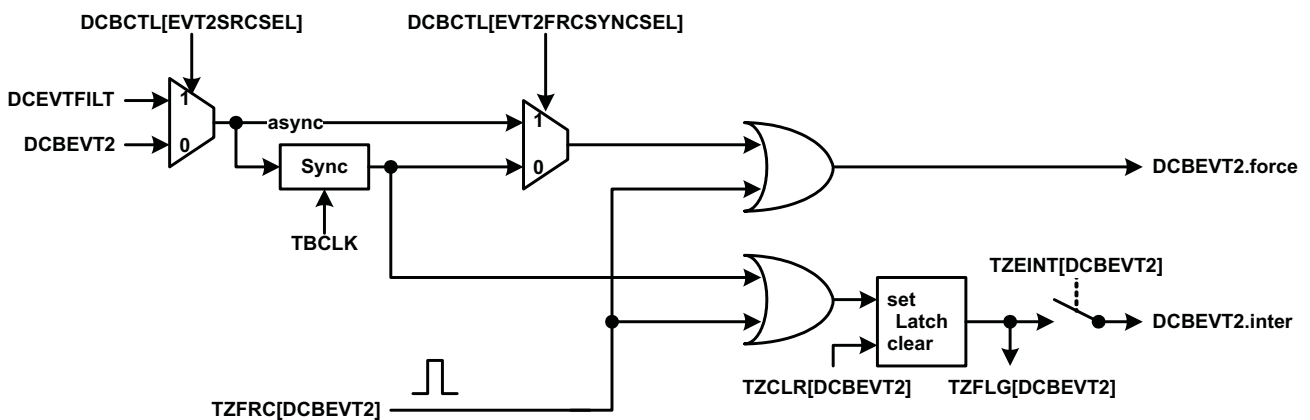


The diagrams below show how the DCBEVT1, DCBEVT2 or DCEVTFLT signals are processed to generate the digital compare B event force, interrupt, soc and sync signals.

**Figure 50. DCBEVT1 Event Triggering**

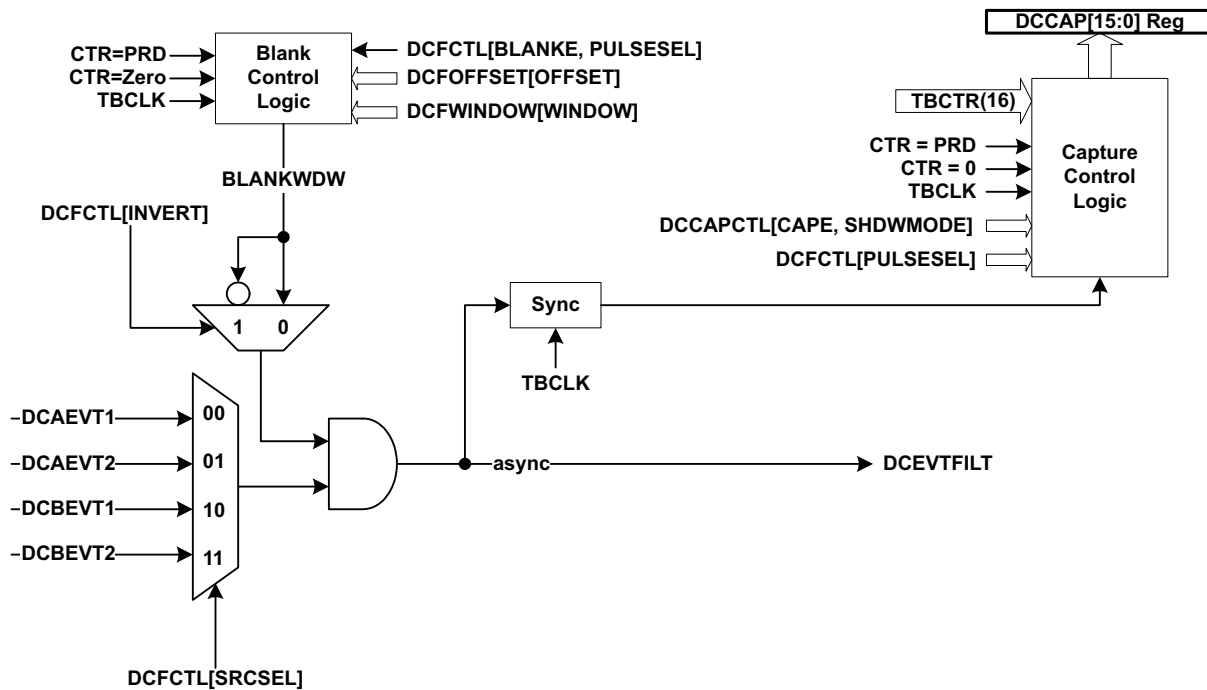


**Figure 51. DCBEVT2 Event Triggering**



**2.9.3.2 Event Filtering**

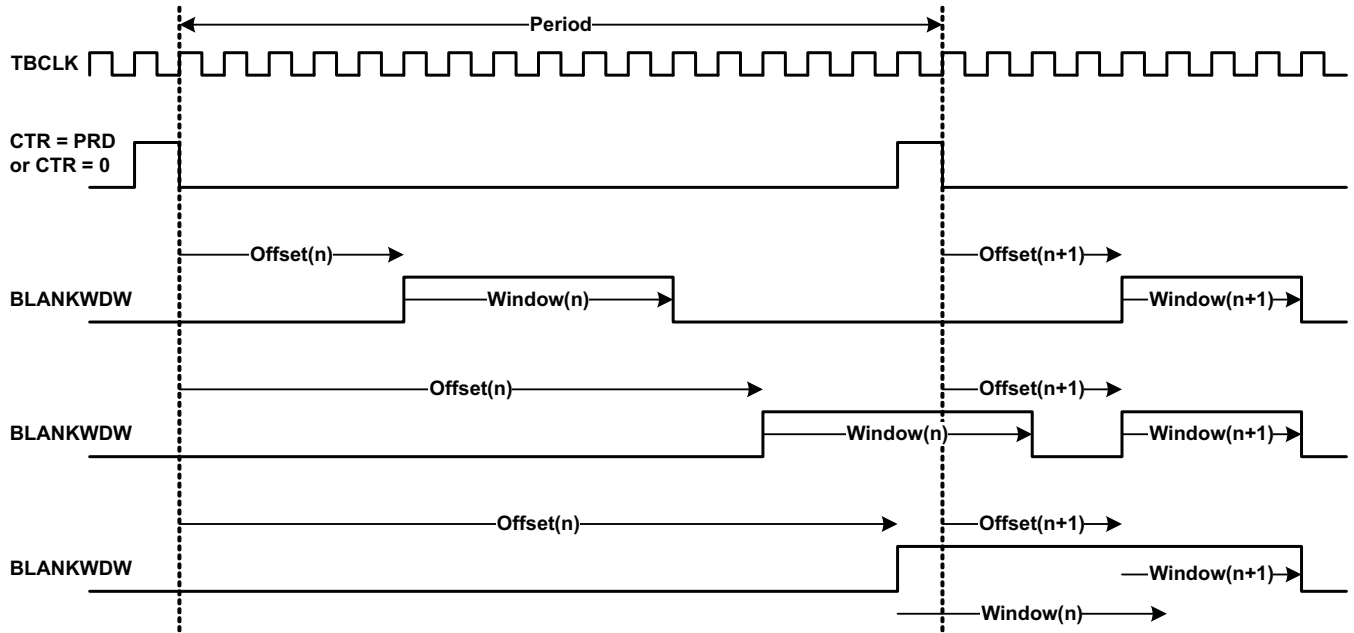
The DCAEVT1/2 and DCBEVT1/2 events can be filtered via event filtering logic to remove noise by optionally blanking events for a certain period of time. This is useful for cases where the analog comparator outputs may be selected to trigger DCAEVT1/2 and DCBEVT1/2 events, and the blanking logic is used to filter out potential noise on the signal prior to tripping the PWM outputs or generating an interrupt or ADC start-of-conversion. The event filtering can also capture the TBCTR value of the trip event. The diagram below shows the details of the event filtering logic.

**Figure 52. Event Filtering**


If the blanking logic is enabled, one of the digital compare events – DCAEVT1, DCAEVT2, DCBEVT1, DCBEVT2 – is selected for filtering. The blanking window, which filters out all event occurrences on the signal while it is active, will be aligned to either a CTR = PRD pulse or a CTR = 0 pulse (configured by the DCFCTL[PULSESEL] bits). An offset value in TBCLK counts is programmed into the DCFOFFSET register, which determines at what point after the CTR = PRD or CTR = 0 pulse the blanking window starts. The duration of the blanking window, in number of TBCLK counts after the offset counter expires, is written to the DCFWINDOW register by the application. During the blanking window, all events are ignored. Before and after the blanking window ends, events can generate soc, sync, interrupt, and force signals as before.

The diagram below illustrates several timing conditions for the offset and blanking window within an ePWM period. Notice that if the blanking window crosses the CTR = 0 or CTR = PRD boundary, the next window still starts at the same offset value after the CTR = 0 or CTR = PRD pulse.

Figure 53. Blanking Window Timing Diagram



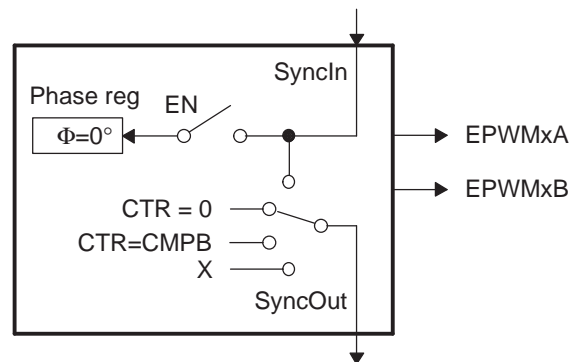
### 3 Applications to Power Topologies

An ePWM module has all the local resources necessary to operate completely as a standalone module or to operate in synchronization with other identical ePWM modules.

#### 3.1 Overview of Multiple Modules

Previously in this user's guide, all discussions have described the operation of a single module. To facilitate the understanding of multiple modules working together in a system, the ePWM module described in reference is represented by the more simplified block diagram shown in [Figure 54](#). This simplified ePWM block shows only the key resources needed to explain how a multistwitch power topology is controlled with multiple ePWM modules working together.

**Figure 54. Simplified ePWM Module**



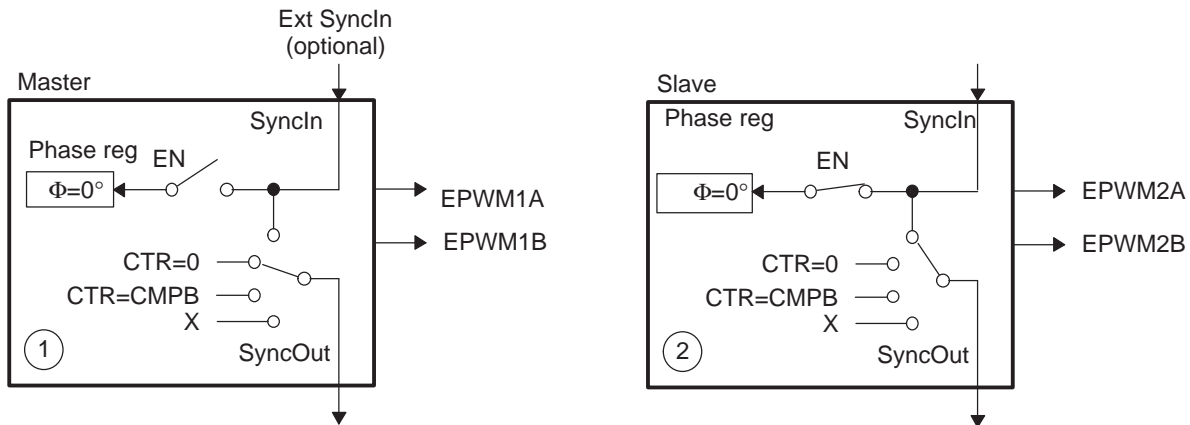
#### 3.2 Key Configuration Capabilities

The key configuration choices available to each module are as follows:

- Options for SyncIn
  - Load own counter with phase register on an incoming sync strobe—enable (EN) switch closed
  - Do nothing or ignore incoming sync strobe—enable switch open
  - Sync flow-through - SyncOut connected to SyncIn
  - Master mode, provides a sync at PWM boundaries—SyncOut connected to CTR = PRD
  - Master mode, provides a sync at any programmable point in time—SyncOut connected to CTR = CMPB
  - Module is in standalone mode and provides No sync to other modules—SyncOut connected to X (disabled)
- Options for SyncOut
  - Sync flow-through - SyncOut connected to SyncIn
  - Master mode, provides a sync at PWM boundaries—SyncOut connected to CTR = PRD
  - Master mode, provides a sync at any programmable point in time—SyncOut connected to CTR = CMPB
  - Module is in standalone mode and provides No sync to other modules—SyncOut connected to X (disabled)

For each choice of SyncOut, a module may also choose to load its own counter with a new phase value on a SyncIn strobe input or choose to ignore it, i.e., via the enable switch. Although various combinations are possible, the two most common—master module and slave module modes—are shown in [Figure 55](#).

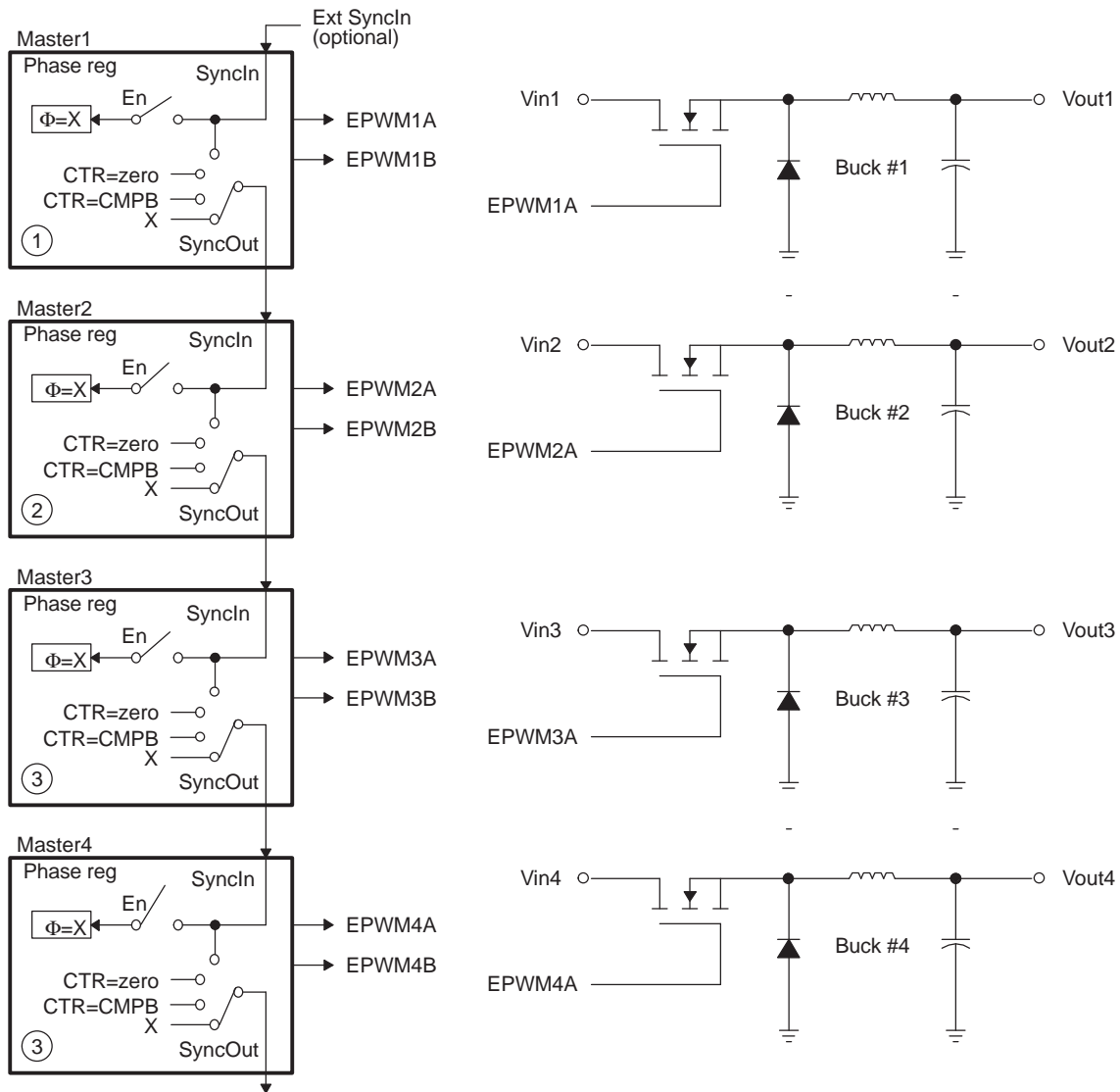
Figure 55. EPWM1 Configured as a Typical Master, EPWM2 Configured as a Slave



### 3.3 Controlling Multiple Buck Converters With Independent Frequencies

One of the simplest power converter topologies is the buck. A single ePWM module configured as a master can control two buck stages with the same PWM frequency. If independent frequency control is required for each buck converter, then one ePWM module must be allocated for each converter stage. Figure 56 shows four buck stages, each running at independent frequencies. In this case, all four ePWM modules are configured as Masters and no synchronization is used. Figure 57 shows the waveforms generated by the setup shown in Figure 56; note that only three waveforms are shown, although there are four stages.

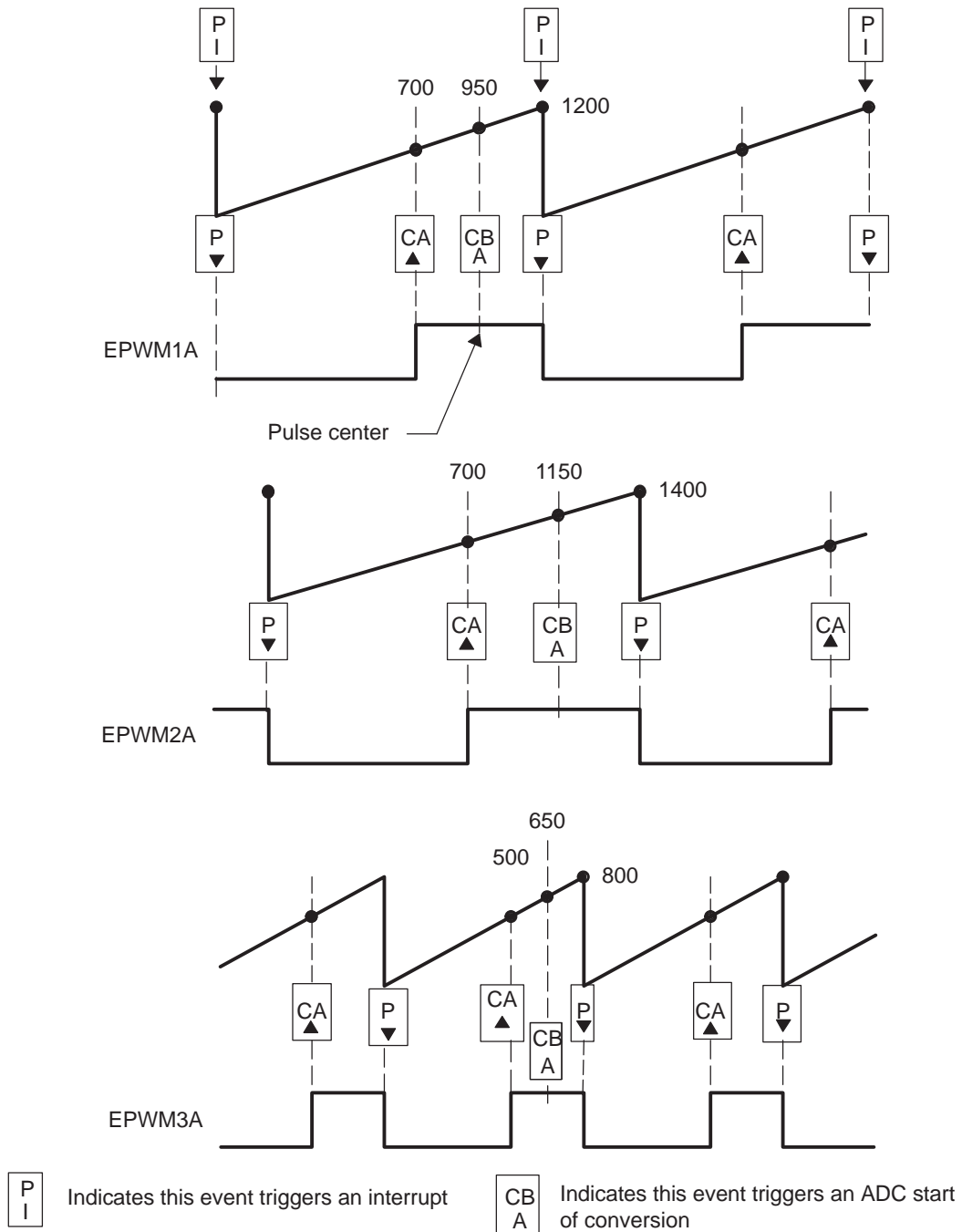
Figure 56. Control of Four Buck Stages. Here  $F_{PWM1} \neq F_{PWM2} \neq F_{PWM3} \neq F_{PWM4}$



NOTE:  $\Theta = X$  indicates value in phase register is a "don't care"



Figure 57. Buck Waveforms for Figure 56 (Note: Only three bucks shown here)



**Example 8. Configuration for Example in Figure 57**

```

//=====
// (Note: code for only 3 modules shown)
// Initialization Time
//=====
// EPWM Module 1 config
EPwm1Regs.TBPRD = 1200; // Period = 1201 TBCLK counts
EPwm1Regs.TBPHS.half.TBPHS = 0; // Set Phase register to zero
EPwm1Regs.TBCTL.bit.CTRMODE = TB_COUNT_UP; // Asymmetrical mode
EPwm1Regs.TBCTL.bit.PHSEN = TB_DISABLE; // Phase loading disabled
EPwm1Regs.TBCTL.bit.PRDL = TB_SHADOW;
EPwm1Regs.TBCTL.bit.SYNCOSEL = TB_SYNC_DISABLE;
EPwm1Regs.CMPCTL.bit.SHDWAMODE = CC_SHADOW;
EPwm1Regs.CMPCTL.bit.SHDWBMODE = CC_SHADOW;
EPwm1Regs.CMPCTL.bit.LOADAMODE = CC_CTR_ZERO; // load on CTR=Zero
EPwm1Regs.CMPCTL.bit.LOADBMODE = CC_CTR_ZERO; // load on CTR=Zero
EPwm1Regs.AQCTLA.bit.PR = AQ_CLEAR;
EPwm1Regs.AQCTLA.bit.CAU = AQ_SET;
// EPWM Module 2 config
EPwm2Regs.TBPRD = 1400; // Period = 1401 TBCLK counts
EPwm2Regs.TBPHS.half.TBPHS = 0; // Set Phase register to zero
EPwm2Regs.TBCTL.bit.CTRMODE = TB_COUNT_UP; // Asymmetrical mode
EPwm2Regs.TBCTL.bit.PHSEN = TB_DISABLE; // Phase loading disabled
EPwm2Regs.TBCTL.bit.PRDL = TB_SHADOW;
EPwm2Regs.TBCTL.bit.SYNCOSEL = TB_SYNC_DISABLE;
EPwm2Regs.CMPCTL.bit.SHDWAMODE = CC_SHADOW;
EPwm2Regs.CMPCTL.bit.SHDWBMODE = CC_SHADOW;
EPwm2Regs.CMPCTL.bit.LOADAMODE = CC_CTR_ZERO; // load on CTR=Zero
EPwm2Regs.CMPCTL.bit.LOADBMODE = CC_CTR_ZERO; // load on CTR=Zero
EPwm2Regs.AQCTLA.bit.PR = AQ_CLEAR;
EPwm2Regs.AQCTLA.bit.CAU = AQ_SET;
// EPWM Module 3 config
EPwm3Regs.TBPRD = 800; // Period = 801 TBCLK counts
EPwm3Regs.TBPHS.half.TBPHS = 0; // Set Phase register to zero
EPwm3Regs.TBCTL.bit.CTRMODE = TB_COUNT_UP;
EPwm3Regs.TBCTL.bit.PHSEN = TB_DISABLE; // Phase loading disabled
EPwm3Regs.TBCTL.bit.PRDL = TB_SHADOW;
EPwm3Regs.TBCTL.bit.SYNCOSEL = TB_SYNC_DISABLE;
EPwm3Regs.CMPCTL.bit.SHDWAMODE = CC_SHADOW;
EPwm3Regs.CMPCTL.bit.SHDWBMODE = CC_SHADOW;
EPwm3Regs.CMPCTL.bit.LOADAMODE = CC_CTR_ZERO; // load on CTR=Zero
EPwm3Regs.CMPCTL.bit.LOADBMODE = CC_CTR_ZERO; // load on CTR=Zero
EPwm3Regs.AQCTLA.bit.PR = AQ_CLEAR;
EPwm3Regs.AQCTLA.bit.CAU = AQ_SET;
//
// Run Time (Note: Example execution of one run-time instant)
//=====
EPwm1Regs.CMPA.half.CMPA = 700; // adjust duty for output EPWM1A
EPwm2Regs.CMPA.half.CMPA = 700; // adjust duty for output EPWM2A
EPwm3Regs.CMPA.half.CMPA = 500; // adjust duty for output EPWM3A
    
```

### 3.4 Controlling Multiple Buck Converters With Same Frequencies

If synchronization is a requirement, ePWM module 2 can be configured as a slave and can operate at integer multiple (N) frequencies of module 1. The sync signal from master to slave ensures these modules remain locked. Figure 58 shows such a configuration; Figure 59 shows the waveforms generated by the configuration.

Figure 58. Control of Four Buck Stages. (Note:  $F_{PWM2} = N \times F_{PWM1}$ )

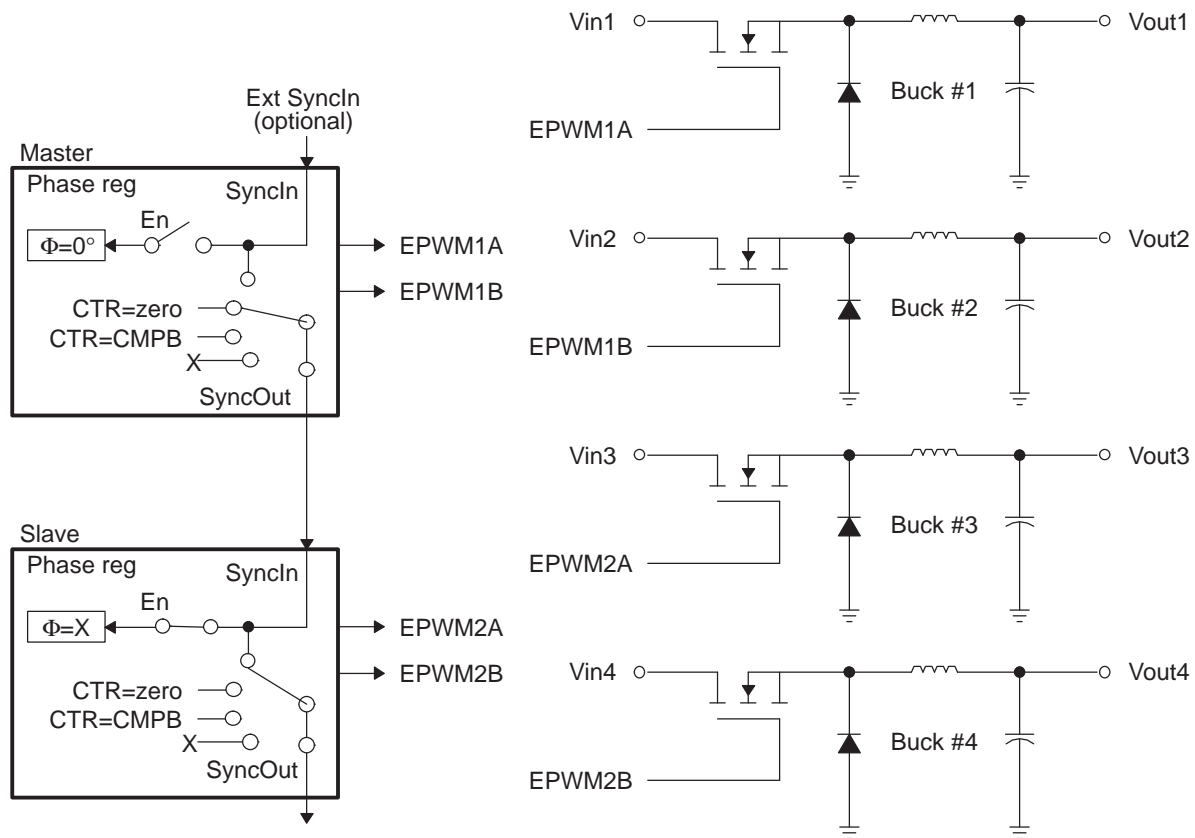
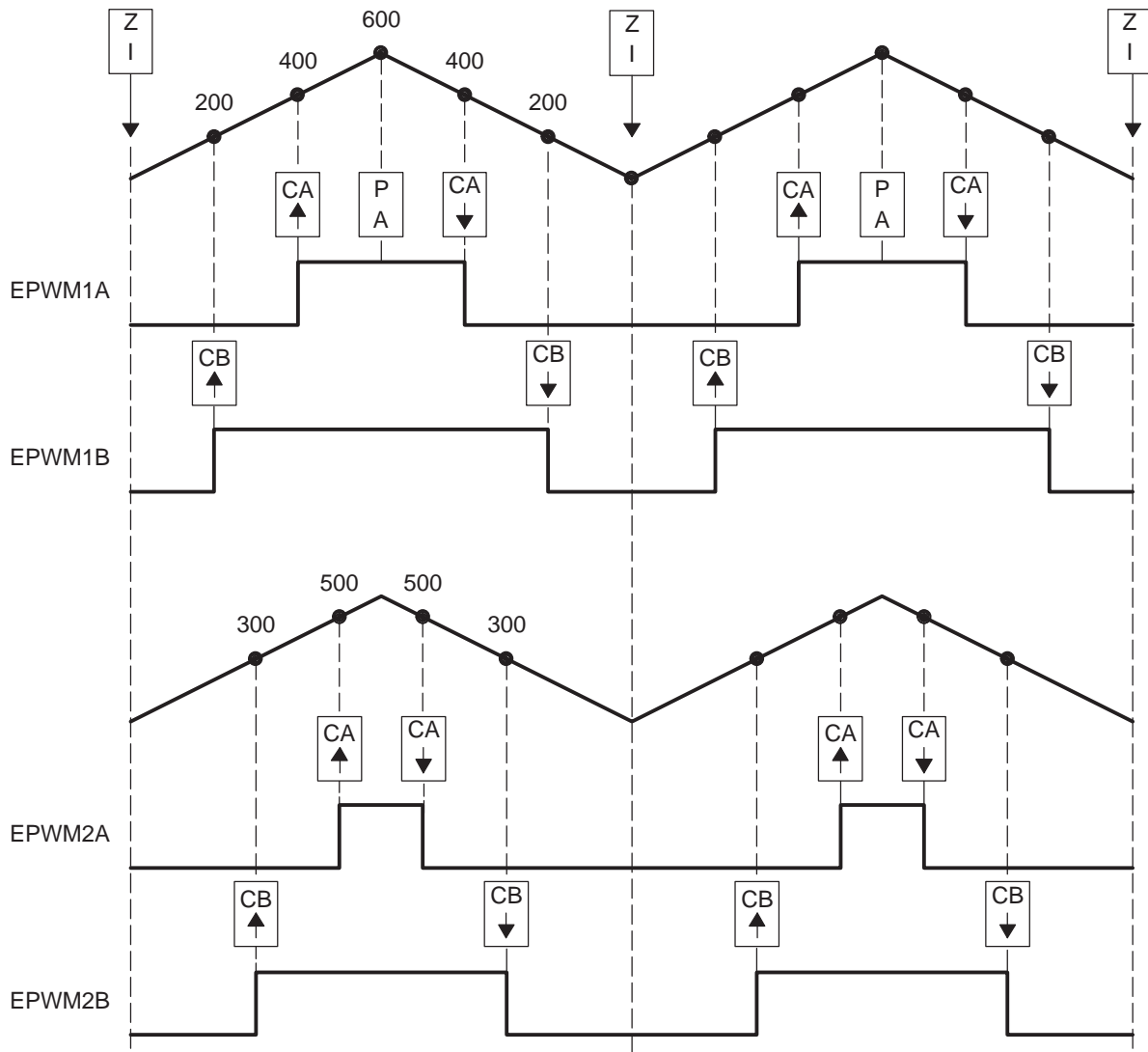


Figure 59. Buck Waveforms for Figure 58 (Note:  $F_{PWM2} = F_{PWM1}$ )



**Example 9. Code Snippet for Configuration in Figure 58**

```

//=====
// EPWM Module 1 config
EPwm1Regs.TBPRD = 600; // Period = 1200 TBCLK counts
EPwm1Regs.TBPHS.half.TBPHS = 0; // Set Phase register to zero
EPwm1Regs.TBCTL.bit.CTRMODE = TB_COUNT_UPDOWN; // Symmetrical mode
EPwm1Regs.TBCTL.bit.PHSEN = TB_DISABLE; // Master module
EPwm1Regs.TBCTL.bit.PRDL = TB_SHADOW;
EPwm1Regs.TBCTL.bit.SYNCSEL = TB_CTR_ZERO; // Sync down-stream module
EPwm1Regs.CMPCTL.bit.SHDWAMODE = CC_SHADOW;
EPwm1Regs.CMPCTL.bit.SHDWBMODE = CC_SHADOW;
EPwm1Regs.CMPCTL.bit.LOADAMODE = CC_CTR_ZERO; // load on CTR=Zero
EPwm1Regs.CMPCTL.bit.LOADBMODE = CC_CTR_ZERO; // load on CTR=Zero
EPwm1Regs.AQCTLA.bit.CAU = AQ_SET; // set actions for EPWM1A
EPwm1Regs.AQCTLA.bit.CAD = AQ_CLEAR;
EPwm1Regs.AQCTLB.bit.CBU = AQ_SET; // set actions for EPWM1B
EPwm1Regs.AQCTLB.bit.CBD = AQ_CLEAR;
// EPWM Module 2 config
EPwm2Regs.TBPRD = 600; // Period = 1200 TBCLK counts
EPwm2Regs.TBPHS.half.TBPHS = 0; // Set Phase register to zero
EPwm2Regs.TBCTL.bit.CTRMODE = TB_COUNT_UPDOWN; // Symmetrical mode
EPwm2Regs.TBCTL.bit.PHSEN = TB_ENABLE; // Slave module
EPwm2Regs.TBCTL.bit.PRDL = TB_SHADOW;
EPwm2Regs.TBCTL.bit.SYNCSEL = TB_SYNC_IN; // sync flow-through
EPwm2Regs.CMPCTL.bit.SHDWAMODE = CC_SHADOW;
EPwm2Regs.CMPCTL.bit.SHDWBMODE = CC_SHADOW;
EPwm2Regs.CMPCTL.bit.LOADAMODE = CC_CTR_ZERO; // load on CTR=Zero
EPwm2Regs.CMPCTL.bit.LOADBMODE = CC_CTR_ZERO; // load on CTR=Zero
EPwm2Regs.AQCTLA.bit.CAU = AQ_SET; // set actions for EPWM2A
EPwm2Regs.AQCTLA.bit.CAD = AQ_CLEAR;
EPwm2Regs.AQCTLB.bit.CBU = AQ_SET; // set actions for EPWM2B
EPwm2Regs.AQCTLB.bit.CBD = AQ_CLEAR;
//
// Run Time (Note: Example execution of one run-time instance)
//=====
EPwm1Regs.CMPA.half.CMPA = 400; // adjust duty for output EPWM1A
EPwm1Regs.CMPB = 200; // adjust duty for output EPWM1B
EPwm2Regs.CMPA.half.CMPA = 500; // adjust duty for output EPWM2A
EPwm2Regs.CMPB = 300; // adjust duty for output EPWM2B

```

### 3.5 Controlling Multiple Half H-Bridge (HHB) Converters

Topologies that require control of multiple switching elements can also be addressed with these same ePWM modules. It is possible to control a Half-H bridge stage with a single ePWM module. This control can be extended to multiple stages. Figure 60 shows control of two synchronized Half-H bridge stages where stage 2 can operate at integer multiple (N) frequencies of stage 1. Figure 61 shows the waveforms generated by the configuration shown in Figure 60.

Module 2 (slave) is configured for Sync flow-through; if required, this configuration allows for a third Half-H bridge to be controlled by PWM module 3 and also, most importantly, to remain in synchronization with master module 1.

**Figure 60. Control of Two Half-H Bridge Stages ( $F_{PWM2} = N \times F_{PWM1}$ )**

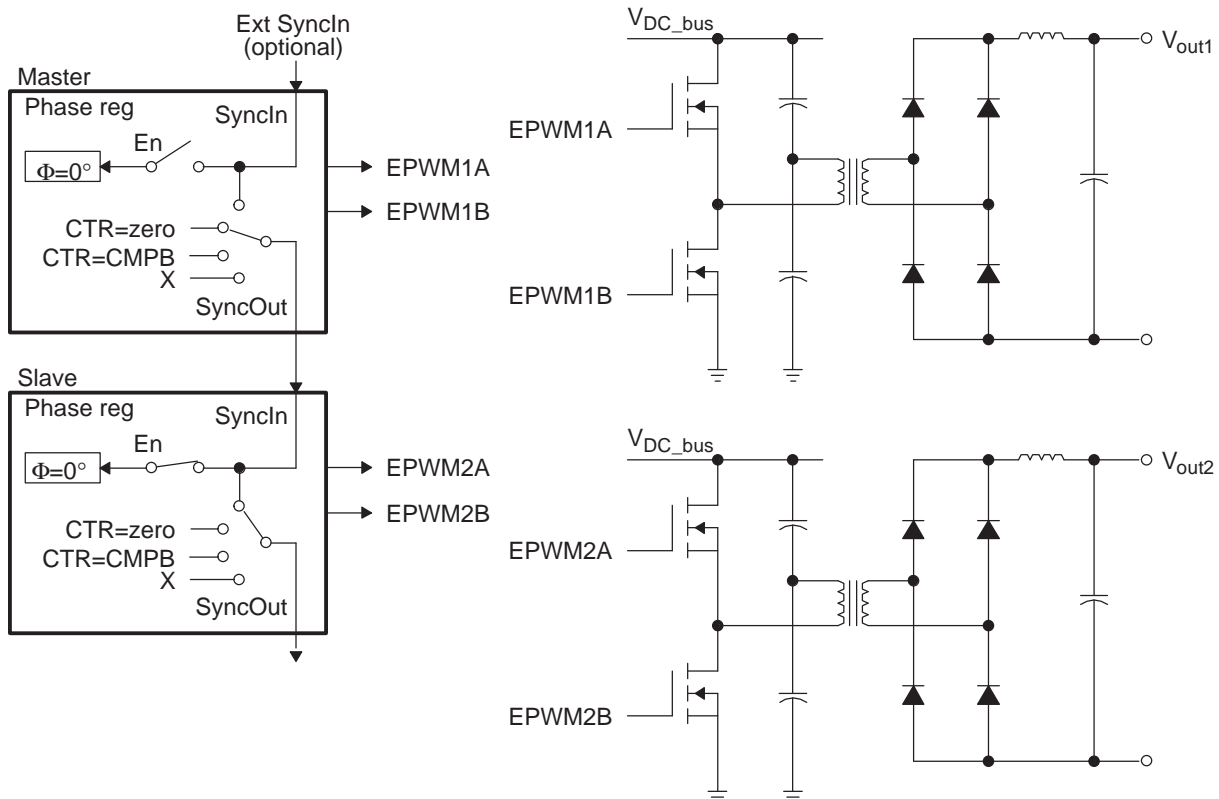
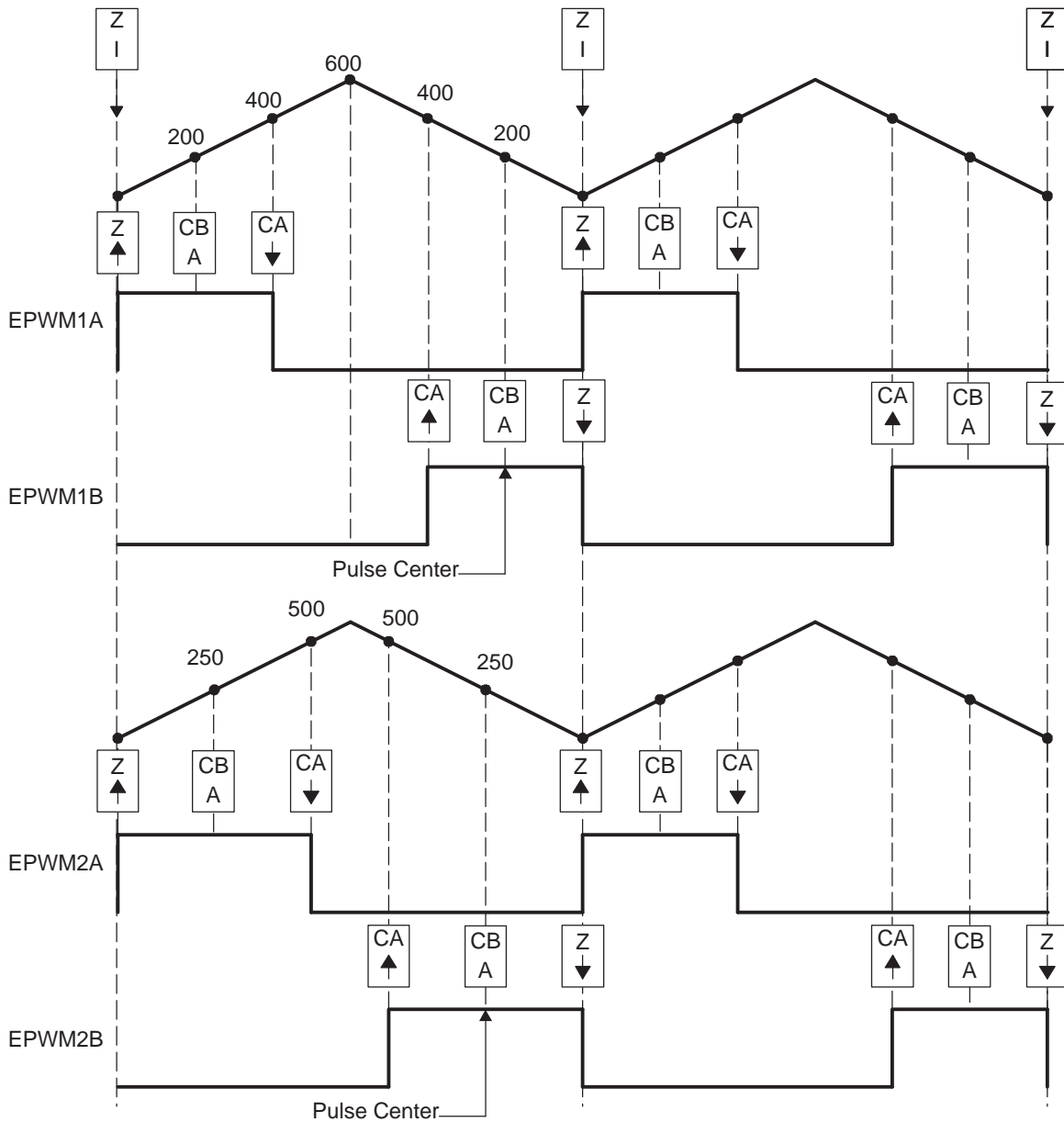


Figure 61. Half-H Bridge Waveforms for Figure 60 (Note: Here  $F_{PWM2} = F_{PWM1}$ )



**Example 10. Code Snippet for Configuration in Figure 60**

```

//=====
// Config
//=====
// Initialization Time
//=====
// EPWM Module 1 config
EPwm1Regs.TBPRD = 600;                // Period = 1200 TBCLK counts
EPwm1Regs.TBPHS.half.TBPHS = 0;     // Set Phase register to zero
EPwm1Regs.TBCTL.bit.CTRMODE = TB_COUNT_UPDOWN; // Symmetrical mode
EPwm1Regs.TBCTL.bit.PHSEN = TB_DISABLE; // Master module
EPwm1Regs.TBCTL.bit.PRDL = TB_SHADOW;
EPwm1Regs.TBCTL.bit.SYNCSEL = TB_CTR_ZERO; // Sync down-stream module
EPwm1Regs.CMPCTL.bit.SHDWAMODE = CC_SHADOW;
EPwm1Regs.CMPCTL.bit.SHDWBMODE = CC_SHADOW;
EPwm1Regs.CMPCTL.bit.LOADAMODE = CC_CTR_ZERO; // load on CTR=Zero
EPwm1Regs.CMPCTL.bit.LOADBMODE = CC_CTR_ZERO; // load on CTR=Zero
EPwm1Regs.AQCTLA.bit.ZRO = AQ_SET; // set actions for EPWM1A
EPwm1Regs.AQCTLA.bit.CAU = AQ_CLEAR;
EPwm1Regs.AQCTLB.bit.ZRO = AQ_CLEAR; // set actions for EPWM1B
EPwm1Regs.AQCTLB.bit.CAD = AQ_SET;

// EPWM Module 2 config
EPwm2Regs.TBPRD = 600;                // Period = 1200 TBCLK counts
EPwm2Regs.TBPHS.half.TBPHS = 0;     // Set Phase register to zero
EPwm2Regs.TBCTL.bit.CTRMODE = TB_COUNT_UPDOWN; // Symmetrical mode
EPwm2Regs.TBCTL.bit.PHSEN = TB_ENABLE; // Slave module
EPwm2Regs.TBCTL.bit.PRDL = TB_SHADOW;
EPwm2Regs.TBCTL.bit.SYNCSEL = TB_SYNC_IN; // sync flow-through
EPwm2Regs.CMPCTL.bit.SHDWAMODE = CC_SHADOW;
EPwm2Regs.CMPCTL.bit.SHDWBMODE = CC_SHADOW;
EPwm2Regs.CMPCTL.bit.LOADAMODE = CC_CTR_ZERO; // load on CTR=Zero
EPwm2Regs.CMPCTL.bit.LOADBMODE = CC_CTR_ZERO; // load on CTR=Zero
EPwm2Regs.AQCTLA.bit.ZRO = AQ_SET; // set actions for EPWM1A
EPwm2Regs.AQCTLA.bit.CAU = AQ_CLEAR;
EPwm2Regs.AQCTLB.bit.ZRO = AQ_CLEAR; // set actions for EPWM1B
EPwm2Regs.AQCTLB.bit.CAD = AQ_SET;

//=====
EPwm1Regs.CMPA.half.CMPA = 400;      // adjust duty for output EPWM1A & EPWM1B

EPwm1Regs.CMPB = 200;                // adjust point-in-time for ADCSOC trigger
EPwm2Regs.CMPA.half.CMPA = 500;     // adjust duty for output EPWM2A & EPWM2B
EPwm2Regs.CMPB = 250;                // adjust point-in-time for ADCSOC trigger
    
```

### 3.6 Controlling Dual 3-Phase Inverters for Motors (ACI and PMSM)

The idea of multiple modules controlling a single power stage can be extended to the 3-phase Inverter case. In such a case, six switching elements can be controlled using three PWM modules, one for each leg of the inverter. Each leg must switch at the same frequency and all legs must be synchronized. A master + two slaves configuration can easily address this requirement. [Figure 62](#) shows how six PWM modules can control two independent 3-phase Inverters; each running a motor.

As in the cases shown in the previous sections, we have a choice of running each inverter at a different frequency (module 1 and module 4 are masters as in [Figure 62](#)), or both inverters can be synchronized by using one master (module 1) and five slaves. In this case, the frequency of modules 4, 5, and 6 (all equal) can be integer multiples of the frequency for modules 1, 2, 3 (also all equal).



Figure 62. Control of Dual 3-Phase Inverter Stages as Is Commonly Used in Motor Control

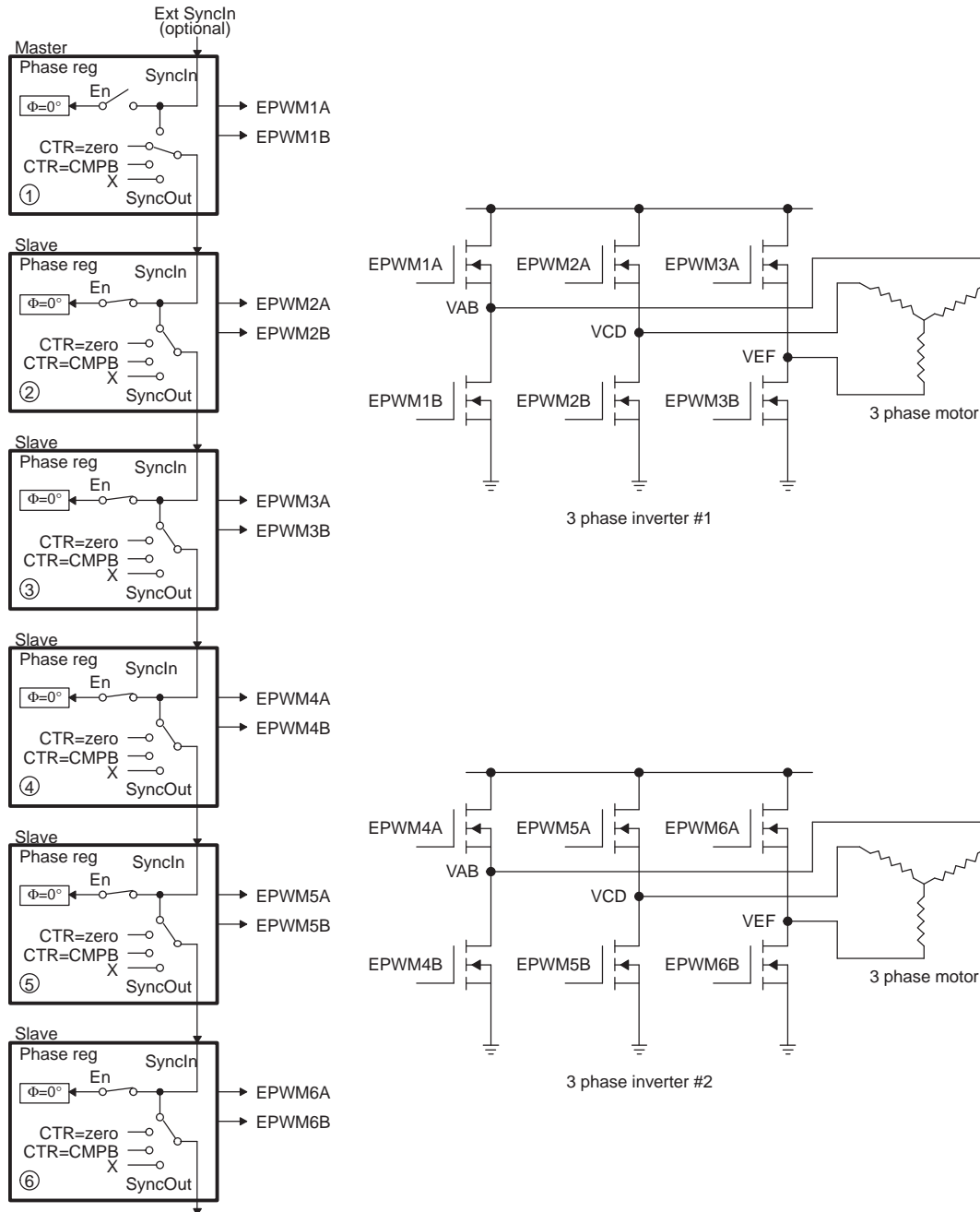
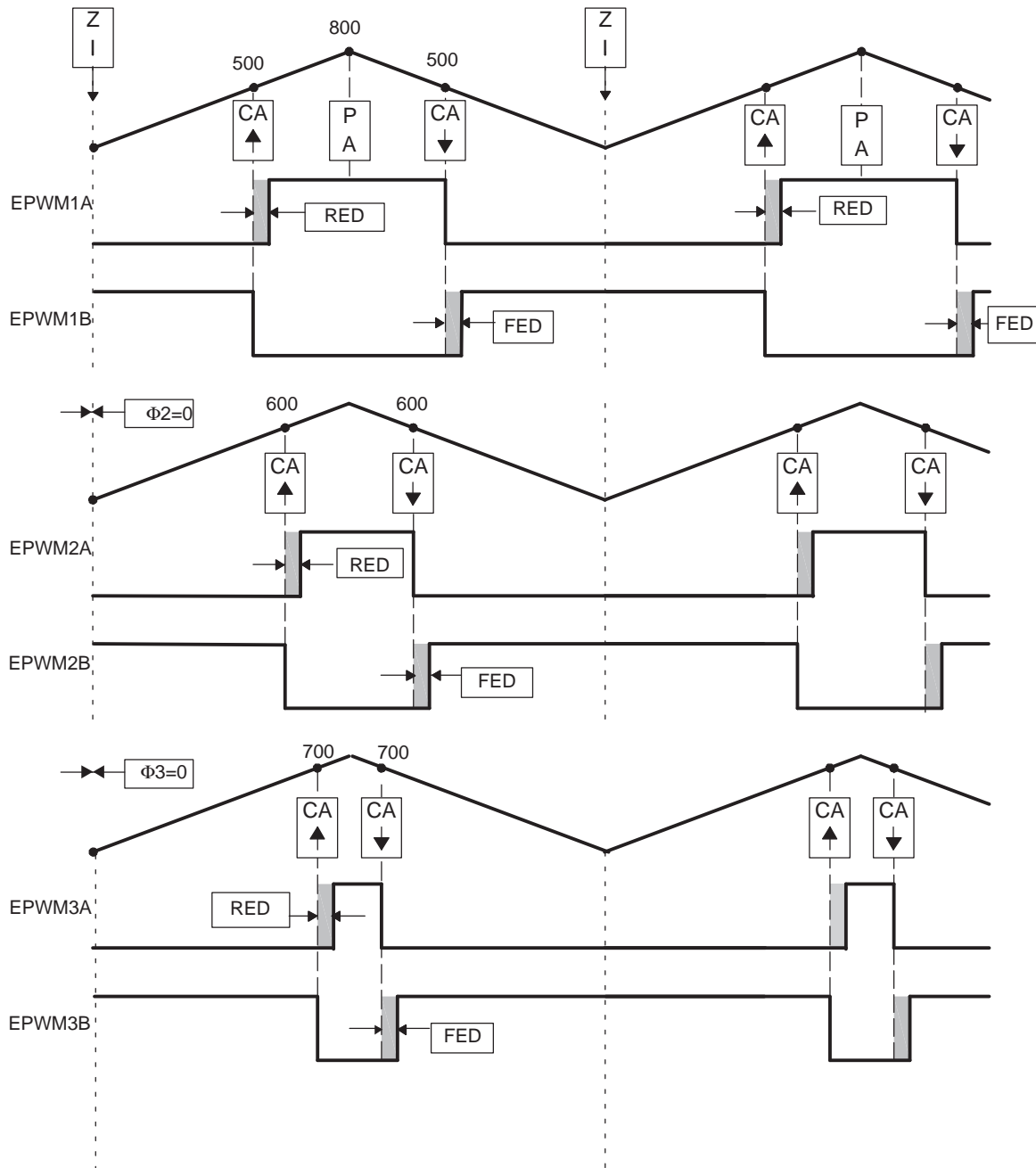


Figure 63. 3-Phase Inverter Waveforms for Figure 62 (Only One Inverter Shown)



**Example 11. Code Snippet for Configuration in Figure 62**

```

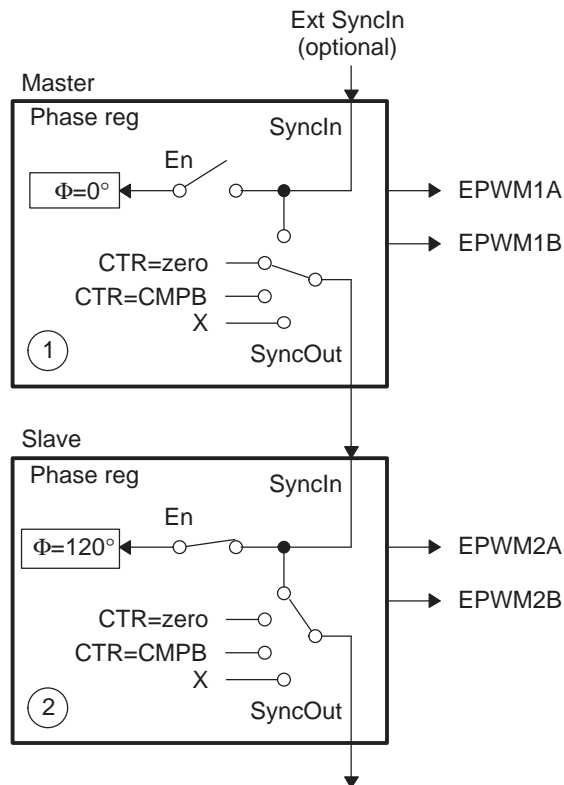
//=====
// Configuration
//=====
// Initialization Time
//=====// EPWM Module 1 config
    EPwm1Regs.TBPRD = 800; // Period = 1600 TBCLK counts
    EPwm1Regs.TBPHS.half.TBPHS = 0; // Set Phase register to zero
    EPwm1Regs.TBCTL.bit.CTRMODE = TB_COUNT_UPDOWN; // Symmetrical mode
    EPwm1Regs.TBCTL.bit.PHSEN = TB_DISABLE; // Master module
    EPwm1Regs.TBCTL.bit.PRDL = TB_SHADOW;
    EPwm1Regs.TBCTL.bit.SYNCSEL = TB_CTR_ZERO; // Sync down-stream module
    EPwm1Regs.CMPCTL.bit.SHDWAMODE = CC_SHADOW;
    EPwm1Regs.CMPCTL.bit.SHDWBMODE = CC_SHADOW;
    EPwm1Regs.CMPCTL.bit.LOADAMODE = CC_CTR_ZERO; // load on CTR=Zero
    EPwm1Regs.CMPCTL.bit.LOADBMODE = CC_CTR_ZERO; // load on CTR=Zero
    EPwm1Regs.AQCTLA.bit.CAU = AQ_SET; // set actions for EPWM1A
    EPwm1Regs.AQCTLA.bit.CAD = AQ_CLEAR;
    EPwm1Regs.DBCTL.bit.OUT_MODE = DB_FULL_ENABLE; // enable Dead-band module
    EPwm1Regs.DBCTL.bit.POLSEL = DB_ACTV_HIC; // Active Hi complementary
    EPwm1Regs.DBFED = 50; // FED = 50 TBCLKs
    EPwm1Regs.DBRED = 50; // RED = 50 TBCLKs
// EPWM Module 2 config
    EPwm2Regs.TBPRD = 800; // Period = 1600 TBCLK counts
    EPwm2Regs.TBPHS.half.TBPHS = 0; // Set Phase register to zero
    EPwm2Regs.TBCTL.bit.CTRMODE = TB_COUNT_UPDOWN; // Symmetrical mode
    EPwm2Regs.TBCTL.bit.PHSEN = TB_ENABLE; // Slave module
    EPwm2Regs.TBCTL.bit.PRDL = TB_SHADOW;
    EPwm2Regs.TBCTL.bit.SYNCSEL = TB_SYNC_IN; // sync flow-through
    EPwm2Regs.CMPCTL.bit.SHDWAMODE = CC_SHADOW;
    EPwm2Regs.CMPCTL.bit.SHDWBMODE = CC_SHADOW;
    EPwm2Regs.CMPCTL.bit.LOADAMODE = CC_CTR_ZERO; // load on CTR=Zero
    EPwm2Regs.CMPCTL.bit.LOADBMODE = CC_CTR_ZERO; // load on CTR=Zero
    EPwm2Regs.AQCTLA.bit.CAU = AQ_SET; // set actions for EPWM2A
    EPwm2Regs.AQCTLA.bit.CAD = AQ_CLEAR;
    EPwm2Regs.DBCTL.bit.OUT_MODE = DB_FULL_ENABLE; // enable Dead-band module
    EPwm2Regs.DBCTL.bit.POLSEL = DB_ACTV_HIC; // Active Hi complementary
    EPwm2Regs.DBFED = 50; // FED = 50 TBCLKs
    EPwm2Regs.DBRED = 50; // RED = 50 TBCLKs
// EPWM Module 3 config
    EPwm3Regs.TBPRD = 800; // Period = 1600 TBCLK counts
    EPwm3Regs.TBPHS.half.TBPHS = 0; // Set Phase register to zero
    EPwm3Regs.TBCTL.bit.CTRMODE = TB_COUNT_UPDOWN; // Symmetrical mode
    EPwm3Regs.TBCTL.bit.PHSEN = TB_ENABLE; // Slave module
    EPwm3Regs.TBCTL.bit.PRDL = TB_SHADOW;
    EPwm3Regs.TBCTL.bit.SYNCSEL = TB_SYNC_IN; // sync flow-through
    EPwm3Regs.CMPCTL.bit.SHDWAMODE = CC_SHADOW;
    EPwm3Regs.CMPCTL.bit.SHDWBMODE = CC_SHADOW;
    EPwm3Regs.CMPCTL.bit.LOADAMODE = CC_CTR_ZERO; // load on CTR=Zero
    EPwm3Regs.CMPCTL.bit.LOADBMODE = CC_CTR_ZERO; // load on CTR=Zero
    EPwm3Regs.AQCTLA.bit.CAU = AQ_SET; // set actions for EPWM3A
    EPwm3Regs.AQCTLA.bit.CAD = AQ_CLEAR;
    EPwm3Regs.DBCTL.bit.OUT_MODE = DB_FULL_ENABLE; // enable Dead-band module
    EPwm3Regs.DBCTL.bit.POLSEL = DB_ACTV_HIC; // Active Hi complementary
    EPwm3Regs.DBFED = 50; // FED = 50 TBCLKs
    EPwm3Regs.DBRED = 50; // RED = 50 TBCLKs
// Run Time (Note: Example execution of one run-time instant)
//=====
    EPwm1Regs.CMPA.half.CMPA = 500; // adjust duty for output EPWM1A
    EPwm2Regs.CMPA.half.CMPA = 600; // adjust duty for output EPWM2A
    EPwm3Regs.CMPA.half.CMPA = 700; // adjust duty for output EPWM3A

```

### 3.7 Practical Applications Using Phase Control Between PWM Modules

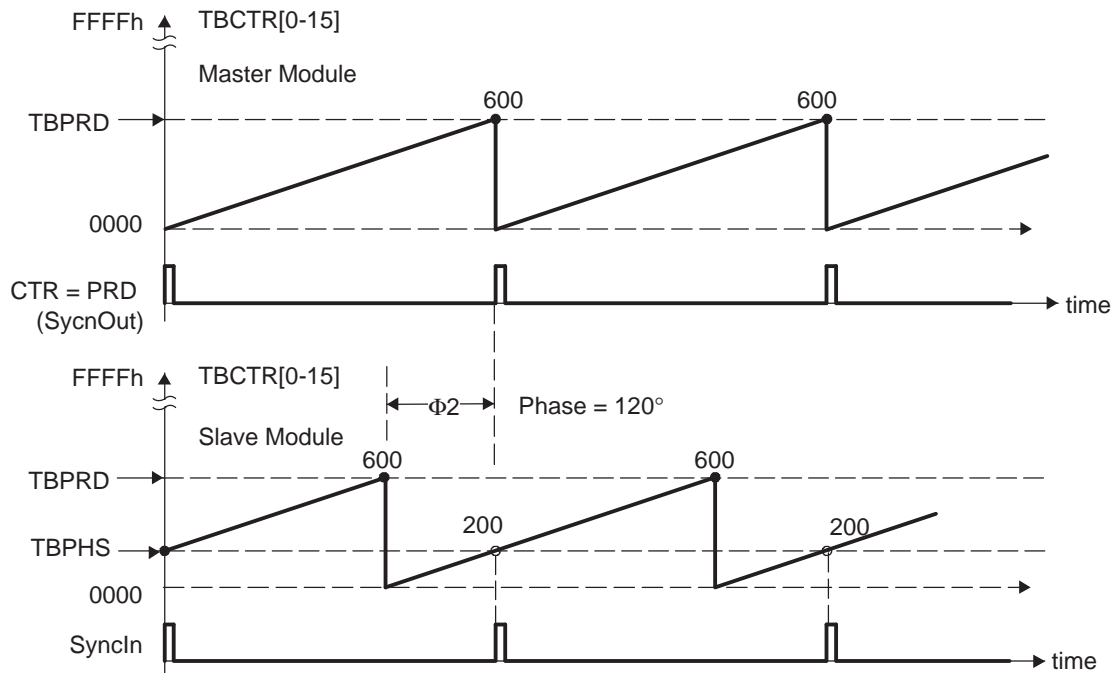
So far, none of the examples have made use of the phase register (TBPHS). It has either been set to zero or its value has been a don't care. However, by programming appropriate values into TBPHS, multiple PWM modules can address another class of power topologies that rely on phase relationship between legs (or stages) for correct operation. As described in the TB module section, a PWM module can be configured to allow a SyncIn pulse to cause the TBPHS register to be loaded into the TBCTR register. To illustrate this concept, [Figure 64](#) shows a master and slave module with a phase relationship of 120°, i.e., the slave leads the master.

**Figure 64. Configuring Two PWM Modules for Phase Control**



[Figure 65](#) shows the associated timing waveforms for this configuration. Here, TBPRD = 600 for both master and slave. For the slave, TBPHS = 200 (i.e.,  $200/600 \times 360^\circ = 120^\circ$ ). Whenever the master generates a SyncIn pulse (CTR = PRD), the value of TBPHS = 200 is loaded into the slave TBCTR register so the slave time-base is always leading the master's time-base by 120°.

**Figure 65. Timing Waveforms Associated With Phase Control Between 2 Modules**



### 3.8 Controlling a 3-Phase Interleaved DC/DC Converter

A popular power topology that makes use of phase-offset between modules is shown in [Figure 66](#). This system uses three PWM modules, with module 1 configured as the master. To work, the phase relationship between adjacent modules must be  $F = 120^\circ$ . This is achieved by setting the slave TBPHS registers 2 and 3 with values of 1/3 and 2/3 of the period value, respectively. For example, if the period register is loaded with a value of 600 counts, then TBPHS (slave 2) = 200 and TBPHS (slave 3) = 400. Both slave modules are synchronized to the master 1 module.

This concept can be extended to four or more phases, by setting the TBPHS values appropriately. The following formula gives the TBPHS values for N phases:

$$TBPHS(N,M) = (TBPRD/N) \times (M-1)$$

Where:

N = number of phases

M = PWM module number

For example, for the 3-phase case (N=3), TBPRD = 600,

$$TBPHS(3,2) = (600/3) \times (2-1) = 200 \text{ (i.e., Phase value for Slave module 2)}$$

$$TBPHS(3,3) = 400 \text{ (i.e., Phase value for Slave module 3)}$$

[Figure 67](#) shows the waveforms for the configuration in [Figure 66](#).

Figure 66. Control of a 3-Phase Interleaved DC/DC Converter

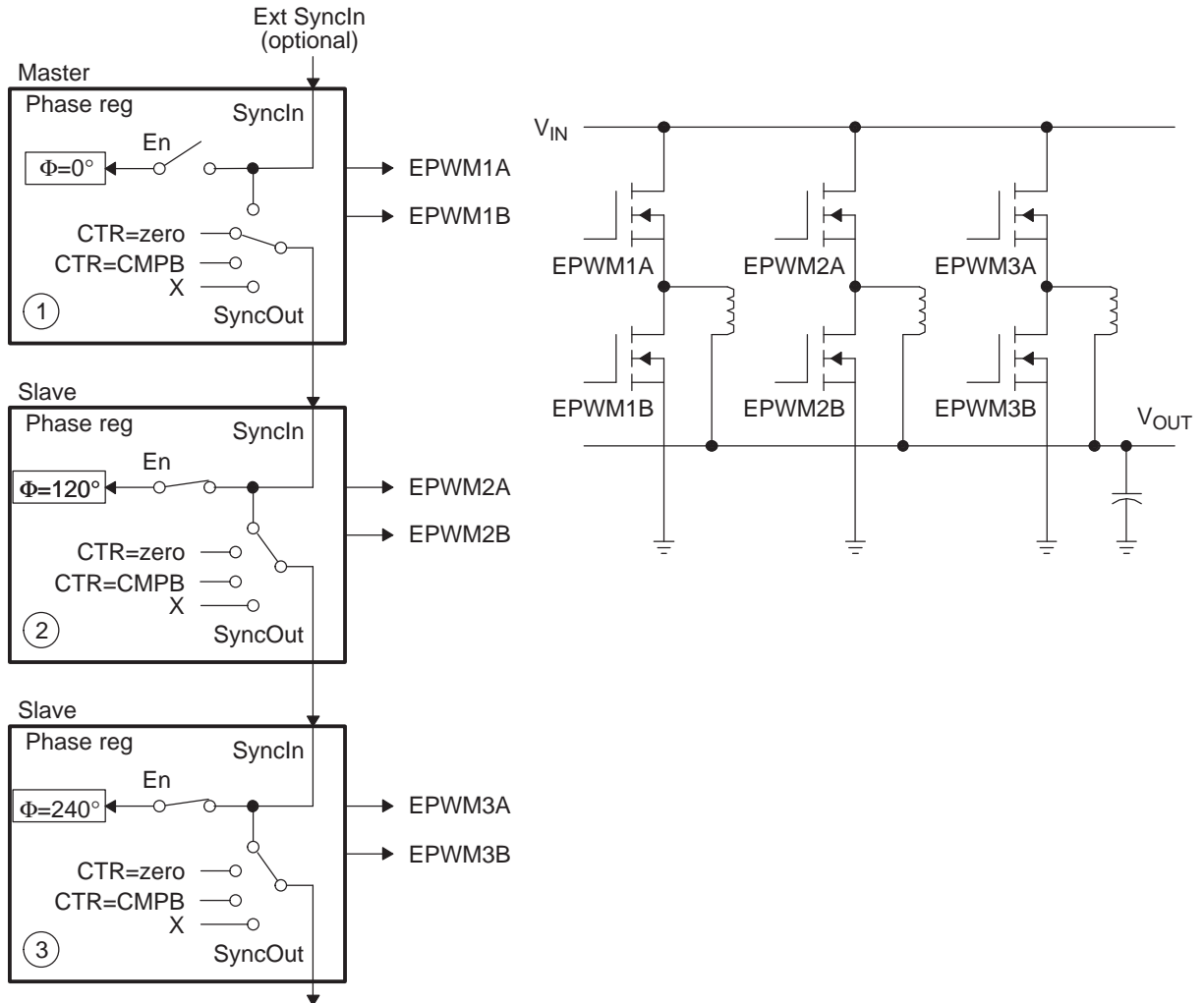
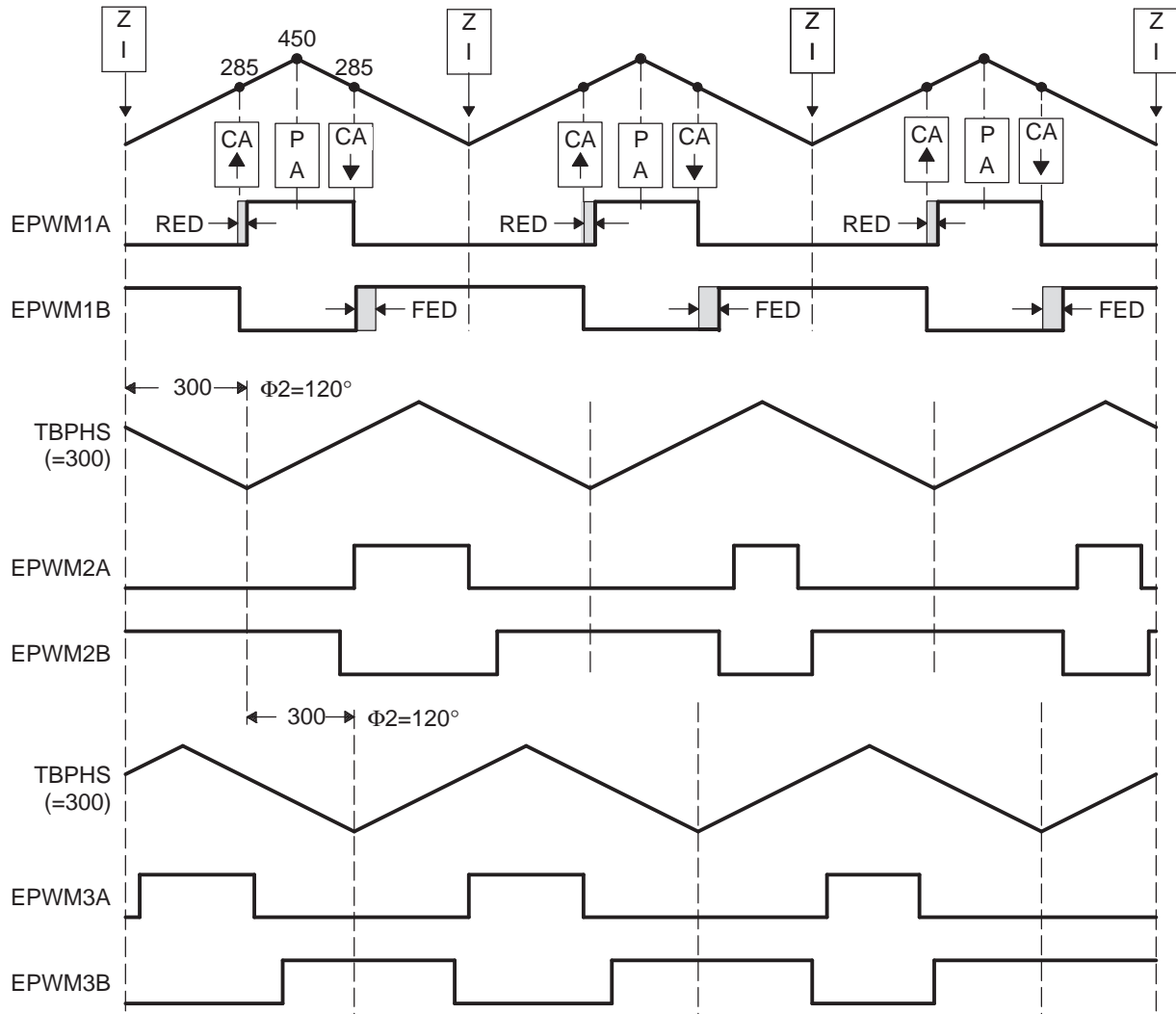


Figure 67. 3-Phase Interleaved DC/DC Converter Waveforms for Figure 66



**Example 12. Code Snippet for Configuration in Figure 66**

```

//=====
// Config
// Initialization Time
//=====
// EPWM Module 1 config
EPwm1Regs.TBPRD = 450; // Period = 900 TBCLK counts
EPwm1Regs.TBPHS.half.TBPHS = 0; // Set Phase register to zero
EPwm1Regs.TBCTL.bit.CTRMODE = TB_COUNT_UPDOWN; // Symmetrical mode
EPwm1Regs.TBCTL.bit.PHSEN = TB_DISABLE; // Master module
EPwm1Regs.TBCTL.bit.PRDL = TB_SHADOW;
EPwm1Regs.TBCTL.bit.SYNCSEL = TB_CTR_ZERO; // Sync down-stream module
EPwm1Regs.CMPCTL.bit.SHDWAMODE = CC_SHADOW;
EPwm1Regs.CMPCTL.bit.SHDWBMODE = CC_SHADOW;
EPwm1Regs.CMPCTL.bit.LOADAMODE = CC_CTR_ZERO; // load on CTR=Zero
EPwm1Regs.CMPCTL.bit.LOADBMODE = CC_CTR_ZERO; // load on CTR=Zero
EPwm1Regs.AQCTLA.bit.CAU = AQ_SET; // set actions for EPWM1A
EPwm1Regs.AQCTLA.bit.CAD = AQ_CLEAR;
EPwm1Regs.DBCTL.bit.OUT_MODE = DB_FULL_ENABLE; // enable Dead-band module
EPwm1Regs.DBCTL.bit.POLSEL = DB_ACTV_HIC; // Active Hi complementary
EPwm1Regs.DBFED = 20; // FED = 20 TBCLKs
EPwm1Regs.DBRED = 20; // RED = 20 TBCLKs
// EPWM Module 2 config
EPwm2Regs.TBPRD = 450; // Period = 900 TBCLK counts
EPwm2Regs.TBPHS.half.TBPHS = 300; // Phase = 300/900 * 360 = 120 deg
EPwm2Regs.TBCTL.bit.CTRMODE = TB_COUNT_UPDOWN; // Symmetrical mode
EPwm2Regs.TBCTL.bit.PHSEN = TB_ENABLE; // Slave module
EPwm2Regs.TBCTL.bit.PHSDIR = TB_DOWN; // Count DOWN on sync (=120 deg)
EPwm2Regs.TBCTL.bit.PRDL = TB_SHADOW;
EPwm2Regs.TBCTL.bit.SYNCSEL = TB_SYNC_IN; // sync flow-through
EPwm2Regs.CMPCTL.bit.SHDWAMODE = CC_SHADOW;
EPwm2Regs.CMPCTL.bit.SHDWBMODE = CC_SHADOW;
EPwm2Regs.CMPCTL.bit.LOADAMODE = CC_CTR_ZERO; // load on CTR=Zero
EPwm2Regs.CMPCTL.bit.LOADBMODE = CC_CTR_ZERO; // load on CTR=Zero
EPwm2Regs.AQCTLA.bit.CAU = AQ_SET; // set actions for EPWM2A
EPwm2Regs.AQCTLA.bit.CAD = AQ_CLEAR;
EPwm2Regs.DBCTL.bit.OUT_MODE = DB_FULL_ENABLE; // enable Dead-band module
EPwm2Regs.DBCTL.bit.POLSEL = DB_ACTV_HIC; // Active Hi Complementary
EPwm2Regs.DBFED = 20; // FED = 20 TBCLKs
EPwm2Regs.DBRED = 20; // RED = 20 TBCLKs
// EPWM Module 3 config
EPwm3Regs.TBPRD = 450; // Period = 900 TBCLK counts
EPwm3Regs.TBPHS.half.TBPHS = 300; // Phase = 300/900 * 360 = 120 deg
EPwm3Regs.TBCTL.bit.CTRMODE = TB_COUNT_UPDOWN; // Symmetrical mode
EPwm3Regs.TBCTL.bit.PHSEN = TB_ENABLE; // Slave module
EPwm2Regs.TBCTL.bit.PHSDIR = TB_UP; // Count UP on sync (=240 deg)
EPwm3Regs.TBCTL.bit.PRDL = TB_SHADOW;
EPwm3Regs.TBCTL.bit.SYNCSEL = TB_SYNC_IN; // sync flow-through
EPwm3Regs.CMPCTL.bit.SHDWAMODE = CC_SHADOW;
EPwm3Regs.CMPCTL.bit.SHDWBMODE = CC_SHADOW;
EPwm3Regs.CMPCTL.bit.LOADAMODE = CC_CTR_ZERO; // load on CTR=Zero
EPwm3Regs.CMPCTL.bit.LOADBMODE = CC_CTR_ZERO; // load on CTR=Zero
EPwm3Regs.AQCTLA.bit.CAU = AQ_SET; // set actions for EPWM3Ai
EPwm3Regs.AQCTLA.bit.CAD = AQ_CLEAR;
EPwm3Regs.DBCTL.bit.OUT_MODE = DB_FULL_ENABLE; // enable Dead-band module
EPwm3Regs.DBCTL.bit.POLSEL = DB_ACTV_HIC; // Active Hi complementary
EPwm3Regs.DBFED = 20; // FED = 20 TBCLKs
EPwm3Regs.DBRED = 20; // RED = 20 TBCLKs
// Run Time (Note: Example execution of one run-time instant)
//=====
EPwm1Regs.CMPA.half.CMPA = 285; // adjust duty for output EPWM1A
EPwm2Regs.CMPA.half.CMPA = 285; // adjust duty for output EPWM2A
EPwm3Regs.CMPA.half.CMPA = 285; // adjust duty for output EPWM3A
    
```



### 3.9 Controlling Zero Voltage Switched Full Bridge (ZVSFB) Converter

The example given in Figure 68 assumes a static or constant phase relationship between legs (modules). In such a case, control is achieved by modulating the duty cycle. It is also possible to dynamically change the phase value on a cycle-by-cycle basis. This feature lends itself to controlling a class of power topologies known as *phase-shifted full bridge*, or *zero voltage switched full bridge*. Here the controlled parameter is not duty cycle (this is kept constant at approximately 50 percent); instead it is the phase relationship between legs. Such a system can be implemented by allocating the resources of two PWM modules to control a single power stage, which in turn requires control of four switching elements. Figure 69 shows a master/slave module combination synchronized together to control a full H-bridge. In this case, both master and slave modules are required to switch at the same PWM frequency. The phase is controlled by using the slave's phase register (TBPHS). The master's phase register is not used and therefore can be initialized to zero.

Figure 68. Controlling a Full-H Bridge Stage ( $F_{PWM2} = F_{PWM1}$ )

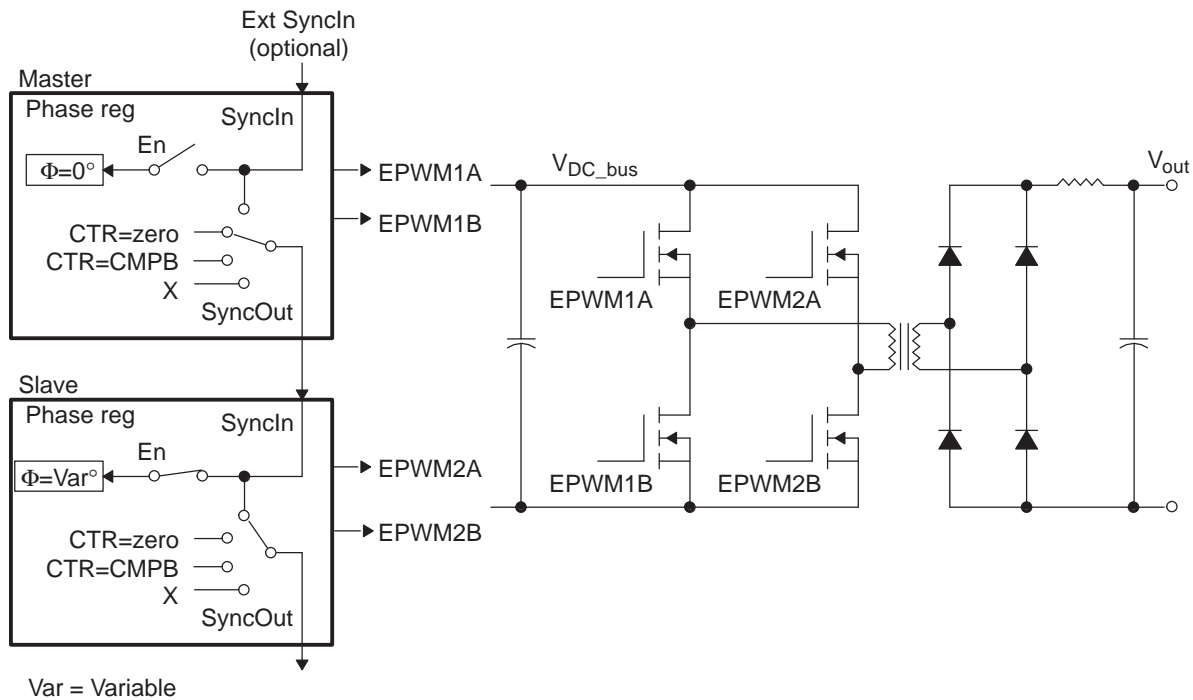
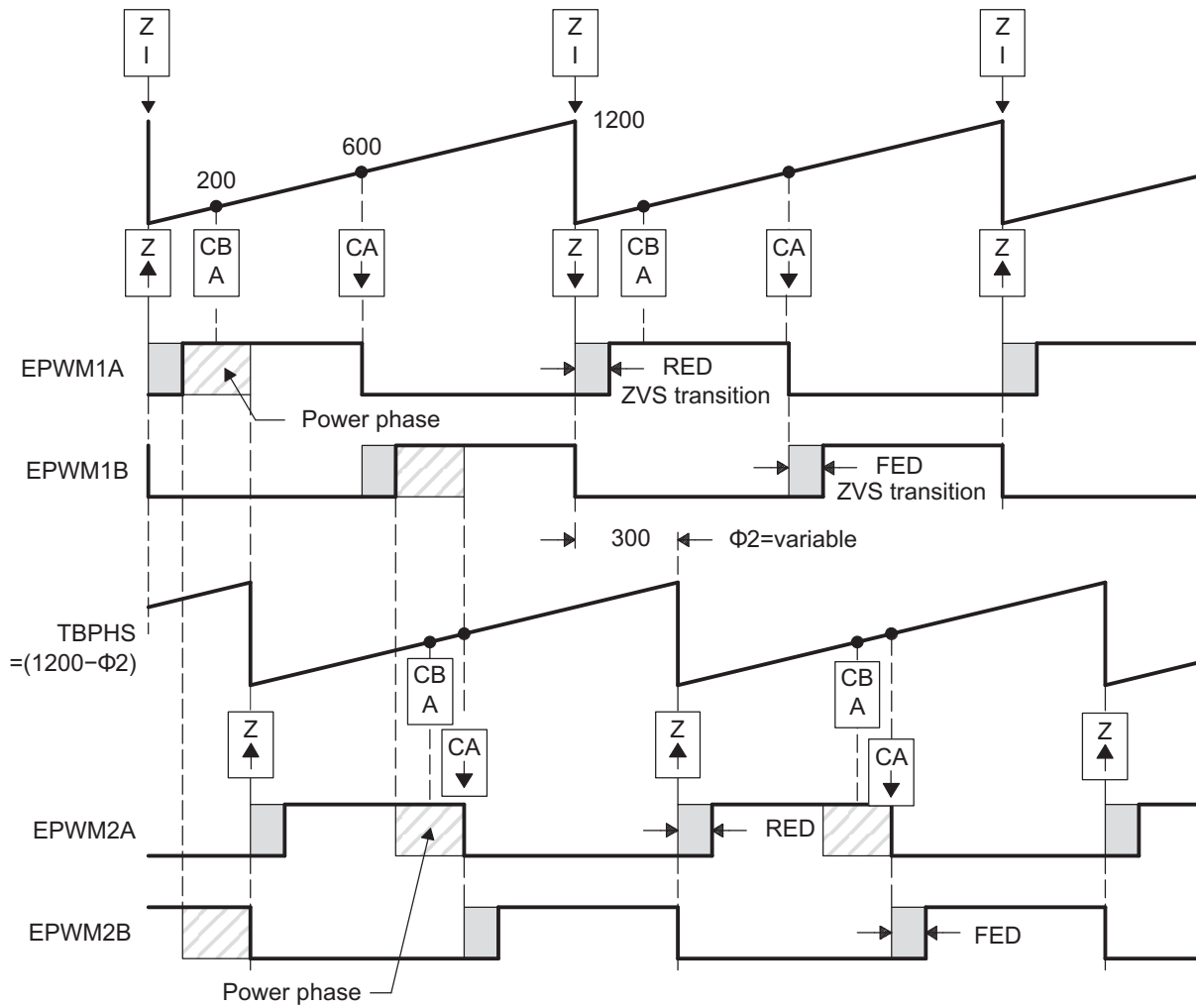


Figure 69. ZVS Full-H Bridge Waveforms



**Example 13. Code Snippet for Configuration in Figure 68**

```

//=====
// Config
//=====
// Initialization Time
//=====
// EPWM Module 1 config
EPwm1Regs.TBPRD = 1200; // Period = 1201 TBCLK counts
EPwm1Regs.CMPA = 600; // Set 50% fixed duty for EPWM1A
EPwm1Regs.TBPHS.half.TBPHS = 0; // Set Phase register to zero
EPwm1Regs.TBCTL.bit.CTRMODE = TB_COUNT_UP; // Asymmetrical mode
EPwm1Regs.TBCTL.bit.PHSEN = TB_DISABLE; // Master module
EPwm1Regs.TBCTL.bit.PRDL = TB_SHADOW;
EPwm1Regs.TBCTL.bit.SYNCSEL = TB_CTR_ZERO; // Sync down-stream module
EPwm1Regs.CMPCTL.bit.SHDWAMODE = CC_SHADOW;
EPwm1Regs.CMPCTL.bit.SHDWBMODE = CC_SHADOW;
EPwm1Regs.CMPCTL.bit.LOADAMODE = CC_CTR_ZERO; // load on CTR=Zero
EPwm1Regs.CMPCTL.bit.LOADM = CC_CTR_ZERO; // load on CTR=Zero
EPwm1Regs.AQCTLA.bit.ZRO = AQ_SET; // set actions for EPWM1A
EPwm1Regs.AQCTLA.bit.CAU = AQ_CLEAR;
EPwm1Regs.DBCTL.bit.OUT_MODE = DB_FULL_ENABLE; // enable Dead-band module
EPwm1Regs.DBCTL.bit.POLSEL = DB_ACTV_HIC; // Active Hi complementary
EPwm1Regs.DBFED = 50; // FED = 50 TBCLKs initially
EPwm1Regs.DBRED = 70; // RED = 70 TBCLKs initially
// EPWM Module 2 config
EPwm2Regs.TBPRD = 1200; // Period = 1201 TBCLK counts
EPwm2Regs.CMPA.half.CMPA = 600; // Set 50% fixed duty EPWM2A
EPwm2Regs.TBPHS.half.TBPHS = 0; // Set Phase register to zero initially
EPwm2Regs.TBCTL.bit.CTRMODE = TB_COUNT_UP; // Asymmetrical mode
EPwm2Regs.TBCTL.bit.PHSEN = TB_ENABLE; // Slave module
EPwm2Regs.TBCTL.bit.PRDL = TB_SHADOW;
EPwm2Regs.TBCTL.bit.SYNCSEL = TB_SYNC_IN; // sync flow-through
EPwm2Regs.CMPCTL.bit.SHDWAMODE = CC_SHADOW;
EPwm2Regs.CMPCTL.bit.SHDWBMODE = CC_SHADOW;
EPwm2Regs.CMPCTL.bit.LOADAMODE = CC_CTR_ZERO; // load on CTR=Zero
EPwm2Regs.CMPCTL.bit.LOADM = CC_CTR_ZERO; // load on CTR=Zero
EPwm2Regs.AQCTLA.bit.ZRO = AQ_SET; // set actions for EPWM2A
EPwm2Regs.AQCTLA.bit.CAU = AQ_CLEAR;
EPwm2Regs.DBCTL.bit.OUT_MODE = DB_FULL_ENABLE; // enable Dead-band module
EPwm2Regs.DBCTL.bit.POLSEL = DB_ACTV_HIC; // Active Hi complementary
EPwm2Regs.DBFED = 30; // FED = 30 TBCLKs initially
EPwm2Regs.DBRED = 40; // RED = 40 TBCLKs initially
// Run Time (Note: Example execution of one run-time instant)
//=====
EPwm2Regs.TBPHS = 1200-300; // Set Phase reg to 300/1200 * 360 = 90 deg
EPwm1Regs.DBFED = FED1_NewValue; // Update ZVS transition interval
EPwm1Regs.DBRED = RED1_NewValue; // Update ZVS transition interval
EPwm2Regs.DBFED = FED2_NewValue; // Update ZVS transition interval
EPwm2Regs.DBRED = RED2_NewValue; // Update ZVS transition interval
EPwm1Regs.CMPB = 200; // adjust point-in-time for ADCSOC trigger

```

### 3.10 Controlling a Peak Current Mode Controlled Buck Module

Peak current control techniques offer a number of benefits like automatic over current limiting, fast correction for input voltage variations and reducing magnetic saturation. [Figure 70](#) shows the use of ePWM1A along with the on-chip analog comparator for buck converter topology. The output current is sensed through a current sense resistor and fed to the positive terminal of the on-chip comparator. The internal programmable 10-bit DAC can be used to provide a reference peak current at the negative terminal of the comparator. Alternatively, an external reference could be connected at this input. The comparator output is an input to the Digital compare sub-module. The ePWM module is configured in such a way so as to trip the ePWM1A output as soon as the sensed current reaches the peak reference value. A cycle-by-cycle trip mechanism is used. [Figure 71](#) shows the waveforms generated by the configuration.

Figure 70. Peak Current Mode Control of a Buck Converter

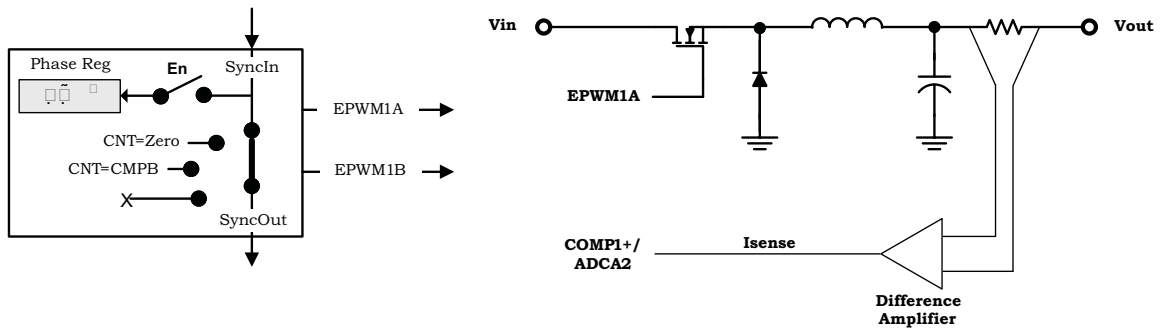
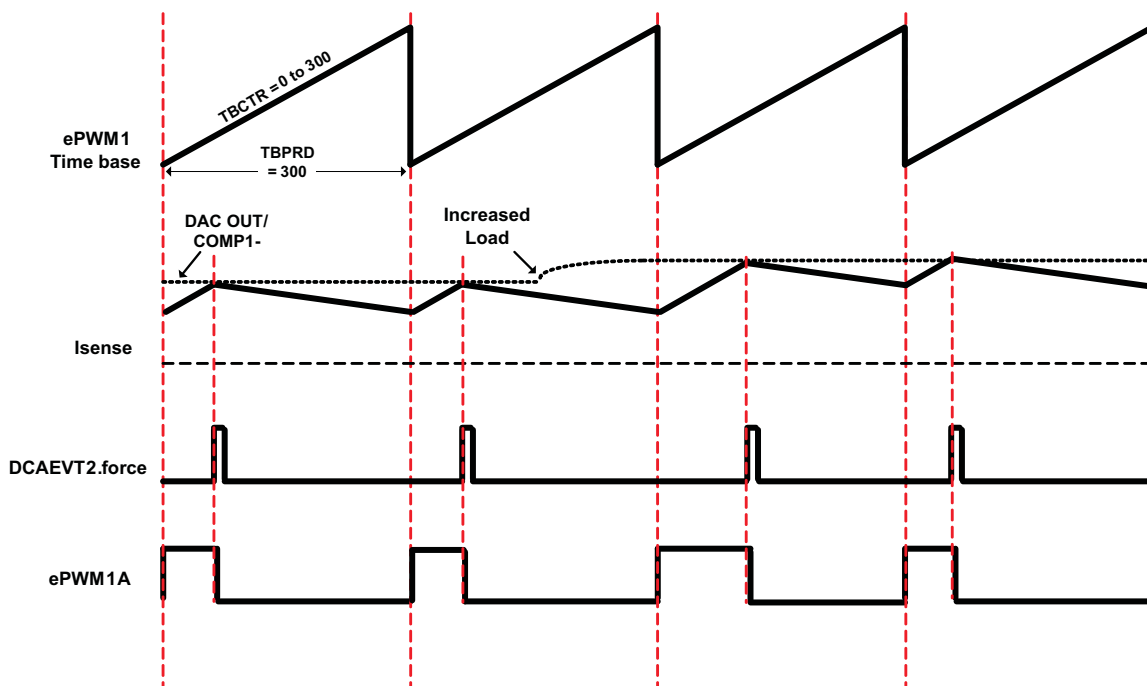


Figure 71. Peak Current Mode Control Waveforms for Figure 70



**Example 14. Code Snippet for Configuration in Figure 70**

```

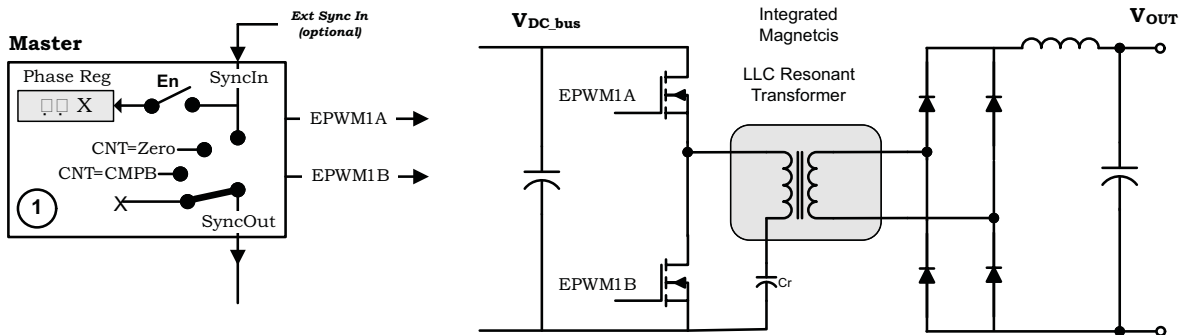
//=====
// Config //
// Initialization Time
//=====
EPwm1Regs.TBPRD = 300;
// Period = 300 TBCLK counts // (200 KHz @ 60MHz clock)
EPwm1Regs.TBPHS.half.TBPHS = 0; // Set Phase register to zero
EPwm1Regs.TBCTL.bit.CTRMODE = TB_COUNT_UP; // Asymmetrical mode
EPwm1Regs.TBCTL.bit.PHSEN = TB_DISABLE; // Phase loading disabled
EPwm1Regs.TBCTL.bit.HSPCLKDIV = TB_DIV1; // Clock ratio to SYSCLKOUT
EPwm1Regs.TBCTL.bit.CLKDIV = TB_DIV1;
EPwm1Regs.TBCTL.bit.PRDL = TB_SHADOW;
Pwm1Regs.AQCTLA.bit.ZRO = AQ_SET; // Set PWM1A on Zero
// Define an event (DCAEVT2) based on
Comparator 1 Output EPwm1Regs.DCTRIPSEL.bit.DCAHCOMPSEL = DC_COMP1OUT; // DCAH = Comparator
1 output
EPwm1Regs.TZDCSEL.bit.DCAEVT2 = TZ_DCAH_HI; // DCAEVT2 = DCAH high(will become
active // as Comparator output goes high)
EPwm1Regs.DCACTL.bit.EVT2SRCSEL = DC_EVT2; // DCAEVT2 = DCAEVT2 (not filtered)
EPwm1Regs.DCACTL.bit.EVT2FRCSYNCSSEL = DC_EVT_ASYNC; // Take async path // Enable DCAEVT2 as
a one shot trip source // Note: DCxEVT1 events can be defined
as one-shot. // DCxEVT2 events can be defined as
// What do we want the
cycle-by-cycle. EPwm1Regs.TZSEL.bit.DCAEVT2 = 1;
DCAEVT1 and DCBEVT1 events to do? // DCAEVTx events can force EPWMxA //
DCBEVTx events can force EPWMxB
EPwm1Regs.TZCTL.bit.TZA = TZ_FORCE_LO; // EPWM1A will go low
//=====
// Run Time
//===== //
Adjust reference peak current to Comparator 1 negative input

```

**3.11 Controlling H-Bridge LLC Resonant Converter**

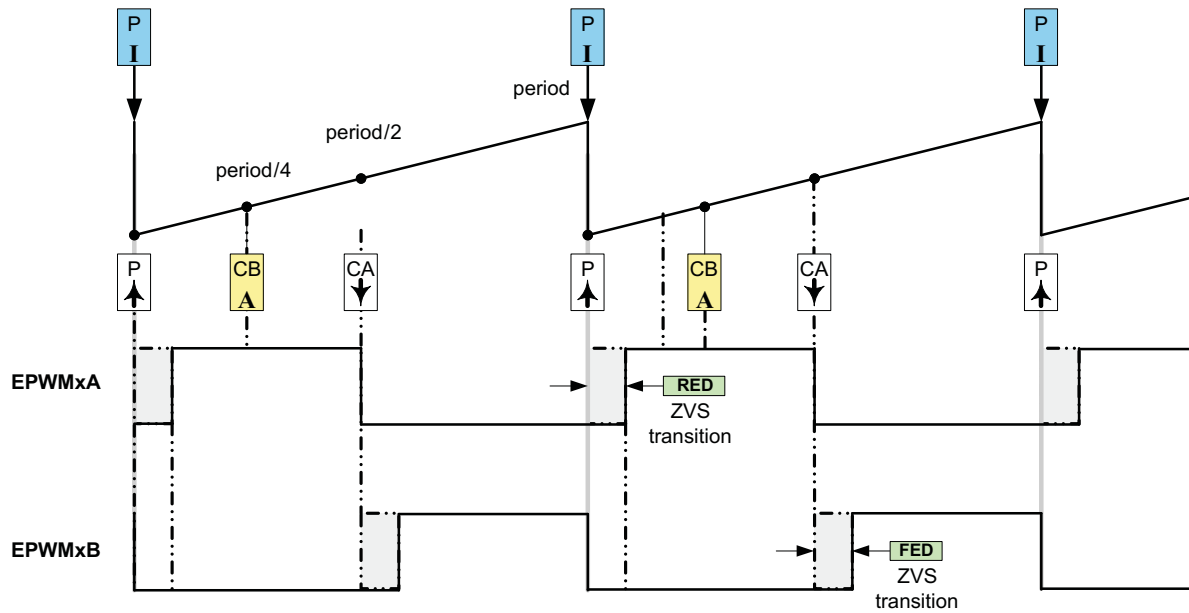
Various topologies of resonant converters are well-known in the field of power electronics for many years. In addition to these, H-bridge LLC resonant converter topology has recently gained popularity in many consumer electronics applications where high efficiency and power density are required. In this example single channel configuration of ePWM1 is detailed, yet the configuration can easily be extended to multi channel. Here the controlled parameter is not duty cycle (this is kept constant at approximately 50 percent); instead it is frequency. Although the deadband is not controlled and kept constant as 300ns (i.e 30 @ 100MHz TBCLK), it is up to user to update it in real time to enhance the efficiency by adjusting enough time delay for soft switching.

**Figure 72. Control of Two Resonant Converter Stages**



NOTE:  $\emptyset = X$  indicates value in phase register is 'don't care'

Figure 73. H-Bridge LLC Resonant Converter PWM Waveforms



Indicates this event triggers an interrupt



Indicates this event triggers an ADC start of conversion

**Example 15. Code Snippet for Configuration in Figure 72**

```

//=====
// Config
//===== //
Initialization Time
//===== //
EPWMxA & EPWMxB config
EPwm1Regs.TBCTL.bit.PRDLN = TB_IMMEDIATE;           // Set immediate load
EPwm1Regs.TBPRD = period;                           // PWM frequency = 1 / period
EPwm1Regs.CMPA.half.CMPA = period/2;                // Set duty as 50%
EPwm1Regs.CMPB = period/4;                          // Set duty as 25%
EPwm1Regs.TBPHS.half.TBPHS = 0;                     // Set as master, phase =0
EPwm1Regs.TBCTR = 0;                                 // Time base counter =0
EPwm1Regs.TBCTL.bit.CTRMODE = TB_COUNT_UP;          // Count-up mode: used for
asymmetric PWM
EPwm1Regs.TBCTL.bit.PHSEN = TB_DISABLE;              // Disable phase loading
EPwm1Regs.TBCTL.bit.SYNCSEL = TB_CTR_ZERO;           // Used to sync EPWM(n+1) "down-
stream"
EPwm1Regs.TBCTL.bit.HSPCLKDIV = TB_DIV1;             // Set the clock rate
EPwm1Regs.TBCTL.bit.CLKDIV = TB_DIV1;               // Set the clock rate
EPwm1Regs.CMPCTL.bit.LOADMODE = CC_CTR_PRD;          // Load on CTR=PRD
EPwm1Regs.CMPCTL.bit.LOADMODE = CC_CTR_PRD;          // Load on CTR=PRD
EPwm1Regs.CMPCTL.bit.SHDWAMODE = CC_SHADOW;          // Shadow mode. Operates as a
double buffer.
EPwm1Regs.CMPCTL.bit.SHDWBMODE = CC_SHADOW;          // Shadow mode. Operates as a
double buffer.
EPwm1Regs.AQCTLA.bit.ZRO = AQ_SET;                   // Set PWM1A on Zero
EPwm1Regs.AQCTLA.bit.CAU = AQ_CLEAR;                 // Clear PWM1A on event A, up
count
EPwm1Regs.AQCTLB.bit.CAU = AQ_SET;                   // Set PWM1B on event A, up count
EPwm1Regs.AQCTLB.bit.PR = AQ_CLEAR;                  // Clear PWM1B on PRD
EPwm1Regs.DBCTL.bit.IN_MODE = DBA_ALL;               // EPWMxA is the source for both
delays
EPwm1Regs.DBCTL.bit.OUT_MODE = DB_FULL_ENABLE;       // Enable Dead-band module
EPwm1Regs.DBCTL.bit.POLSEL = DB_ACTV_HIC;            // Active High Complementary (AHC)
EPwm1Regs.DBRED = 30;                               // RED = 30 TBCLKs initially
EPwm1Regs.DBFED = 30;                               // FED = 30 TBCLKs initially
// Configure TZ1 for short cct
protection EALLOW;
EPwm1Regs.TZSEL.bit.OSHT1 = 1;                       // one-shot source
EPwm1Regs.TZCTL.bit.TZA = TZ_FORCE_LO;               // set EPWM1A to low at fault
EPwm1Regs.TZCTL.bit.TZB = TZ_FORCE_LO;               // set EPWM1B to low at fault
instant
EPwm1Regs.TZEINT.bit.OST = 1;                       // Enable TZ interrupt EDIS;
// Enable HiRes option EALLOW;
EPwm1Regs.HRCNFG.all = 0x0;
EPwm1Regs.HRCNFG.bit.EDGMODE = HR_FEP;
EPwm1Regs.HRCNFG.bit.CTLMODE = HR_CMP;
EPwm1Regs.HRCNFG.bit.HRLOAD = HR_CTR_PRD; EDIS;      // Run Time (Note: Example
execution of one run-time instant)
//=====
EPwm1Regs.TBPRD = period_new value;                  // Update new period
EPwm1Regs.CMPA.half.CMPA = period_new value/2;       // Update new CMPA EPwm1Regs.CMPB=
period_new value/4;                                  // Update new CMPB
// Update new CMPB
// Update new CMPB

```

## 4 Registers

This chapter includes the register layouts and bit description for the submodules.

### 4.1 Time-Base Submodule Registers

Figure 74 through Figure 82 and Table 22 through Table 30 provide the time-base register definitions.

**Figure 74. Time-Base Period Register (TBPRD)**

15	TBPRD	0
R/W-0		

LEGEND: R/W = Read/Write; R = Read only; -n = value after reset

**Table 22. Time-Base Period Register (TBPRD) Field Descriptions**

Bits	Name	Value	Description
15-0	TBPRD	0000-FFFFh	These bits determine the period of the time-base counter. This sets the PWM frequency. Shadowing of this register is enabled and disabled by the TBCTL[PRDL] bit. By default this register is shadowed. <ul style="list-style-type: none"> <li>If TBCTL[PRDL] = 0, then the shadow is enabled and any write or read will automatically go to the shadow register. In this case, the active register will be loaded from the shadow register when the time-base counter equals zero.</li> <li>If TBCTL[PRDL] = 1, then the shadow is disabled and any write or read will go directly to the active register, that is the register actively controlling the hardware.</li> <li>The active and shadow registers share the same memory map address.</li> </ul>

**Figure 75. Time Base Period High Resolution Register (TBPRDHR)**

15	TBPRDHR	8
R/W-0		
7	Reserved	0
R-0		

LEGEND: R/W = Read/Write; R = Read only; -n = value after reset

**Table 23. Time Base Period High Resolution Register (TBPRDHR) Field Descriptions**

Bit	Field	Value	Description
15-8	TBPRDHR	00-FFh	Period High Resolution Bits These 8-bits contain the high-resolution portion of the period value. The TBPRDHR register is not affected by the TBCTL[PRDL] bit. Reads from this register always reflect the shadow register. Likewise writes are also to the shadow register. The TBPRDHR register is only used when the high resolution period feature is enabled. This register is only available with ePWM modules which support high-resolution period control.
7-0	Reserved	0	Reserved

**Figure 76. Time Base Period Mirror Register (TBPRDM)**

15	TBPRD	0
R/W-0		

LEGEND: R/W = Read/Write; R = Read only; -n = value after reset



**Table 24. Time Base Period Mirror Register (TBPRDM) Field Descriptions**

Bit	Field	Value	Description
15-0	TBPRD	0000-FFFFh	<p>TBPRDM and TBPRD can both be used to access the time-base period.</p> <p>TBPRD provides backwards compatibility with earlier ePWM modules. The mirror registers (TBPRDM and TBPRDHRM) allow for 32-bit writes to TBPRDHR in one access. Due to the odd address memory location of the TBPRD legacy register, a 32-bit write is not possible.</p> <p>By default writes to this register are shadowed. Unlike the TBPRD register, reads of TBPRDM always return the active register value. Shadowing is enabled and disabled by the TBCTL[PRDL] bit.</p> <ul style="list-style-type: none"> <li>If TBCTL[PRDL] = 0, then the shadow is enabled and any write will automatically go to the shadow register. In this case the active register will be loaded from the shadow register when the time-base counter equals zero. Reads return the active value.</li> <li>If TBCTL[PRDL] = 1, then the shadow is disabled and any write to this register will go directly to the active register controlling the hardware. Likewise reads return the active value.</li> </ul>

**Figure 77. Time-Base Period High Resolution Mirror Register (TBPRDHRM)**

15	TBPRDHR	8
R/W-0		
7	Reserved	0
R-0		

LEGEND: R/W = Read/Write; R = Read only; -n = value after reset

**Table 25. Time-Base Period High Resolution Mirror Register (TBPRDHRM) Field Descriptions**

Bit	Field	Value	Description
15-8	TBPRDHR	00-FFh	<p>Period High Resolution Bits</p> <p>These 8-bits contain the high-resolution portion of the period value</p> <p>TBPRD provides backwards compatibility with earlier ePWM modules. The mirror registers (TBPRDM and TBPRDHRM) allow for 32-bit writes to TBPRDHR in one access. Due to the odd-numbered memory address location of the TBPRD legacy register, a 32-bit write is not possible with TBPRD and TBPRDHR.</p> <p>The TBPRDHRM register is not affected by the TBCTL[PRDL] bit</p> <p>Writes to both the TBPRDHR and TBPRDM locations access the high-resolution (least significant 8-bit) portion of the Time Base Period value. The only difference is that unlike TBPRDHR, reads from the mirror register TBPRDHRM, are indeterminate (reserved for TI Test).</p> <p>The TBPRDHRM register is available with ePWM modules which support high-resolution period control and is used only when the high resolution period feature is enabled.</p>
7-0	Reserved	00-FFh	Reserved for TI Test

**Figure 78. Time-Base Phase Register (TBPHS)**

15	TBPHS	0
R/W-0		

LEGEND: R/W = Read/Write; R = Read only; -n = value after reset

**Table 26. Time-Base Phase Register (TBPHS) Field Descriptions**

Bits	Name	Value	Description
15-0	TBPHS	0000-FFFF	<p>These bits set time-base counter phase of the selected ePWM relative to the time-base that is supplying the synchronization input signal.</p> <ul style="list-style-type: none"> <li>If TBCTL[PHSEN] = 0, then the synchronization event is ignored and the time-base counter is not loaded with the phase.</li> <li>If TBCTL[PHSEN] = 1, then the time-base counter (TBCTR) will be loaded with the phase (TBPHS) when a synchronization event occurs. The synchronization event can be initiated by the input synchronization signal (EPWMxSYNCl) or by a software forced synchronization.</li> </ul>

**Figure 79. Time-Base Phase High Resolution Register (TBPHSHR)**

15	TBPHSHR	8
R/W-0		
7	Reserved	0
R-0		

LEGEND: R/W = Read/Write; R = Read only; -n = value after reset

**Table 27. Time-Base Phase High Resolution Register (TBPHSHR) Field Descriptions**

Bit	Field	Value	Description
15-8	TBPHSHR	00-FFh	Time base phase high-resolution bits
7-0	Reserved		Reserved

**Figure 80. Time-Base Counter Register (TBCTR)**

15	TBCTR	0
R/W-0		

LEGEND: R/W = Read/Write; R = Read only; -n = value after reset

**Table 28. Time-Base Counter Register (TBCTR) Field Descriptions**

Bits	Name	Value	Description
15-0	TBCTR	0000-FFFF	Reading these bits gives the current time-base counter value.  Writing to these bits sets the current time-base counter value. The update happens as soon as the write occurs; the write is NOT synchronized to the time-base clock (TBCLK) and the register is not shadowed.

**Figure 81. Time-Base Control Register (TBCTL)**

15	14	13	12	10	9	8	
FREE, SOFT		PHSDIR	CLKDIV		HSPCLKDIV		
R/W-0		R/W-0	R/W-0		R/W-0,0,1		
7	6	5	4	3	2	1	0
HSPCLKDIV		SWFSYNC	SYNCOSEL		PRDL	PHSEN	CTRMODE
R/W-0,0,1		R/W-0	R/W-0		R/W-0	R/W-0	R/W-11

LEGEND: R/W = Read/Write; R = Read only; -n = value after reset

**Table 29. Time-Base Control Register (TBCTL) Field Descriptions**

Bit	Field	Value	Description
15:14	FREE, SOFT	00 01  1X	Emulation Mode Bits. These bits select the behavior of the ePWM time-base counter during emulation events:  00 Stop after the next time-base counter increment or decrement 01 Stop when counter completes a whole cycle: <ul style="list-style-type: none"> <li>• Up-count mode: stop when the time-base counter = period (TBCTR = TBPRD)</li> <li>• Down-count mode: stop when the time-base counter = 0x0000 (TBCTR = 0x0000)</li> <li>• Up-down-count mode: stop when the time-base counter = 0x0000 (TBCTR = 0x0000)</li> </ul> 1X Free run

**Table 29. Time-Base Control Register (TBCTL) Field Descriptions (continued)**

Bit	Field	Value	Description
13	PHSDIR		<p>Phase Direction Bit.</p> <p>This bit is only used when the time-base counter is configured in the up-down-count mode. The PHSDIR bit indicates the direction the time-base counter (TBCTR) will count after a synchronization event occurs and a new phase value is loaded from the phase (TBPHS) register. This is irrespective of the direction of the counter before the synchronization event..</p> <p>In the up-count and down-count modes this bit is ignored.</p> <p>0 Count down after the synchronization event.</p> <p>1 Count up after the synchronization event.</p>
12:10	CLKDIV		<p>Time-base Clock Prescale Bits</p> <p>These bits determine part of the time-base clock prescale value.</p> $TBCLK = SYSCLKOUT / (HSPCLKDIV \times CLKDIV)$ <p>000 /1 (default on reset)</p> <p>001 /2</p> <p>010 /4</p> <p>011 /8</p> <p>100 /16</p> <p>101 /32</p> <p>110 /64</p> <p>111 /128</p>
9:7	HSPCLKDIV		<p>High Speed Time-base Clock Prescale Bits</p> <p>These bits determine part of the time-base clock prescale value.</p> $TBCLK = SYSCLKOUT / (HSPCLKDIV \times CLKDIV)$ <p>This divisor emulates the HSPCLK in the TMS320x281x system as used on the Event Manager (EV) peripheral.</p> <p>000 /1</p> <p>001 /2 (default on reset)</p> <p>010 /4</p> <p>011 /6</p> <p>100 /8</p> <p>101 /10</p> <p>110 /12</p> <p>111 /14</p>
6	SWFSYNC		<p>Software Forced Synchronization Pulse</p> <p>0 Writing a 0 has no effect and reads always return a 0.</p> <p>1 Writing a 1 forces a one-time synchronization pulse to be generated.</p> <p>This event is ORed with the EPWMxSYNCl input of the ePWM module.</p> <p>SWFSYNC is valid (operates) only when EPWMxSYNCl is selected by SYNCOSSEL = 00.</p>
5:4	SYNCOSSEL		<p>Synchronization Output Select. These bits select the source of the EPWMxSYNCO signal.</p> <p>00 EPWMxSYNCO:</p> <p>01 CTR = zero: Time-base counter equal to zero (TBCTR = 0x0000)</p> <p>10 CTR = CMPB : Time-base counter equal to counter-compare B (TBCTR = CMPB)</p> <p>11 Disable EPWMxSYNCO signal</p>
3	PRDL		<p>Active Period Register Load From Shadow Register Select</p> <p>0 The period register (TBPRD) is loaded from its shadow register when the time-base counter, TBCTR, is equal to zero.</p> <p>A write or read to the TBPRD register accesses the shadow register.</p> <p>1 Load the TBPRD register immediately without using a shadow register.</p> <p>A write or read to the TBPRD register directly accesses the active register.</p>

**Table 29. Time-Base Control Register (TBCTL) Field Descriptions (continued)**

Bit	Field	Value	Description
2	PHSEN	0 1	<p>Counter Register Load From Phase Register Enable</p> <p>0 Do not load the time-base counter (TBCTR) from the time-base phase register (TBPHS)</p> <p>1 Load the time-base counter with the phase register when an EPWMxSYNCI input signal occurs or when a software synchronization is forced by the SWFSYNC bit, or when a digital compare sync event occurs.</p>
1:0	CTRMODE	00 01 10 11	<p>Counter Mode</p> <p>The time-base counter mode is normally configured once and not changed during normal operation. If you change the mode of the counter, the change will take effect at the next TBCLK edge and the current counter value shall increment or decrement from the value before the mode change.</p> <p>These bits set the time-base counter mode of operation as follows:</p> <p>00 Up-count mode</p> <p>01 Down-count mode</p> <p>10 Up-down-count mode</p> <p>11 Stop-freeze counter operation (default on reset)</p>

**Figure 82. Time-Base Status Register (TBSTS)**

15	Reserved				8
R-0					
7	3	2	1	0	
Reserved		CTRMAX	SYNCI	CTDIR	
R-0		R/W1C-0	R/W1C-0	R-1	

LEGEND: R/W = Read/Write; R = Read only; R/W1C = Read/Write 1 to clear; -n = value after reset

**Table 30. Time-Base Status Register (TBSTS) Field Descriptions**

Bit	Field	Value	Description
15:3	Reserved		Reserved
2	CTRMAX	0	Time-Base Counter Max Latched Status Bit Reading a 0 indicates the time-base counter never reached its maximum value. Writing a 0 will have no effect.
		1	Reading a 1 on this bit indicates that the time-base counter reached the max value 0xFFFF. Writing a 1 to this bit will clear the latched event.
1	SYNCI	0	Input Synchronization Latched Status Bit Writing a 0 will have no effect. Reading a 0 indicates no external synchronization event has occurred.
		1	Reading a 1 on this bit indicates that an external synchronization event has occurred (EPWMxSYNCI). Writing a 1 to this bit will clear the latched event.
0	CTDIR		Time-Base Counter Direction Status Bit. At reset, the counter is frozen; therefore, this bit has no meaning. To make this bit meaningful, you must first set the appropriate mode via TBCTL[CTRMODE].
		0	Time-Base Counter is currently counting down.
		1	Time-Base Counter is currently counting up.

**Figure 83. High Resolution Period Control Register (HRPCTL)**

15	Reserved				8
R-0					
7	3	2	1	0	
Reserved		TBPHSHR LOADE	Reserved	HRPE	
R-0		R/W-0	R-0	R/W-0	

LEGEND: R/W = Read/Write; R = Read only; -n = value after reset

**Table 31. High Resolution Period Control Register (HRPCTL) Field Descriptions**

Bit	Field	Value	Description <sup>(1)</sup> <sup>(2)</sup>
15-3	Reserved		Reserved

<sup>(1)</sup> This register is EALLOW protected.

<sup>(2)</sup> This register is used with Type 1 ePWM modules (support high-resolution period) only.

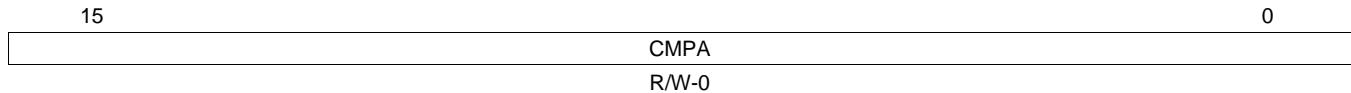
**Table 31. High Resolution Period Control Register (HRPCTL) Field Descriptions (continued)**

Bit	Field	Value	Description <sup>(1)</sup> <sup>(2)</sup>
2	TBPHSHRLOADE	<p>0</p> <p>1</p>	<p>TBPHSHR Load Enable</p> <p>This bit allows you to synchronize ePWM modules with a high-resolution phase on a SYNCIN, TBCTL[SWFSYNC], or digital compare event. This allows for multiple ePWM modules operating at the same frequency to be phase aligned with high-resolution.</p> <p>Disables synchronization of high-resolution phase on a SYNCIN, TBCTL[SWFSYNC] or digital compare event.</p> <p>Synchronize the high-resolution phase on a SYNCIN, TBCTL[SWFSYNC] or digital comparator synchronization event. The phase is synchronized using the contents of the high-resolution phase TBPHSHR register.</p> <p>The TBCTL[PHSEN] bit which enables the loading of the TBCTR register with TBPHS register value on a SYNCIN, or TBCTL[SWFSYNC] event works independently. However, users need to enable this bit also if they want to control phase in conjunction with the high-resolution period feature.</p> <p><b>Note:</b> This bit and the TBCTL[PHSEN] bit must be set to 1 when high resolution period control is enabled for up-down count mode even if TBPHSHR = 0x0000.</p>
1	Reserved		Reserved
0	HRPE	<p>0</p> <p>1</p>	<p>High Resolution Period Enable Bit</p> <p>High resolution period feature disabled. In this mode the ePWM behaves as a Type 0 ePWM.</p> <p>High resolution period enabled. In this mode the HRPWM module can control high-resolution of both the duty and frequency.</p> <p>When high-resolution period is enabled, TBCTL[CTRMODE] = 0,1 (down-count mode) is not supported.</p>

## 4.2 Counter-Compare Submodule Registers

Figure 84 through Figure 86 and Table 32 through Table 34 illustrate the counter-compare submodule control and status registers.

**Figure 84. Counter-Compare A Register (CMPA)**

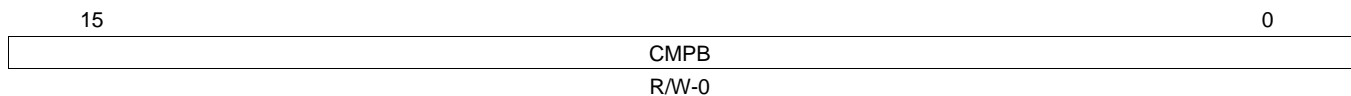


LEGEND: R/W = Read/Write; R = Read only; -n = value after reset

**Table 32. Counter-Compare A Register (CMPA) Field Descriptions**

Bits	Name	Description
15-0	CMPA	<p>The value in the active CMPA register is continuously compared to the time-base counter (TBCTR). When the values are equal, the counter-compare module generates a "time-base counter equal to counter compare A" event. This event is sent to the action-qualifier where it is qualified and converted it into one or more actions. These actions can be applied to either the EPWMxA or the EPWMxB output depending on the configuration of the AQCTLA and AQCTLB registers. The actions that can be defined in the AQCTLA and AQCTLB registers include:</p> <ul style="list-style-type: none"> <li>• Do nothing; the event is ignored.</li> <li>• Clear: Pull the EPWMxA and/or EPWMxB signal low</li> <li>• Set: Pull the EPWMxA and/or EPWMxB signal high</li> <li>• Toggle the EPWMxA and/or EPWMxB signal</li> </ul> <p>Shadowing of this register is enabled and disabled by the CMPCTL[SHDWAMODE] bit. By default this register is shadowed.</p> <ul style="list-style-type: none"> <li>• If CMPCTL[SHDWAMODE] = 0, then the shadow is enabled and any write or read will automatically go to the shadow register. In this case, the CMPCTL[LOADAMODE] bit field determines which event will load the active register from the shadow register.</li> <li>• Before a write, the CMPCTL[SHDWAFULL] bit can be read to determine if the shadow register is currently full.</li> <li>• If CMPCTL[SHDWAMODE] = 1, then the shadow register is disabled and any write or read will go directly to the active register, that is the register actively controlling the hardware.</li> <li>• In either mode, the active and shadow registers share the same memory map address.</li> </ul>

**Figure 85. Counter-Compare B Register (CMPB)**



LEGEND: R/W = Read/Write; R = Read only; -n = value after reset

**Table 33. Counter-Compare B Register (CMPB) Field Descriptions**

Bits	Name	Description
15-0	CMPB	<p>The value in the active CMPB register is continuously compared to the time-base counter (TBCTR). When the values are equal, the counter-compare module generates a "time-base counter equal to counter compare B" event. This event is sent to the action-qualifier where it is qualified and converted it into one or more actions. These actions can be applied to either the EPWMxA or the EPWMxB output depending on the configuration of the AQCTLA and AQCTLB registers. The actions that can be defined in the AQCTLA and AQCTLB registers include:</p> <ul style="list-style-type: none"> <li>• Do nothing. event is ignored.</li> <li>• Clear: Pull the EPWMxA and/or EPWMxB signal low</li> <li>• Set: Pull the EPWMxA and/or EPWMxB signal high</li> <li>• Toggle the EPWMxA and/or EPWMxB signal</li> </ul> <p>Shadowing of this register is enabled and disabled by the CMPCTL[SHDWBMODE] bit. By default this register is shadowed.</p> <ul style="list-style-type: none"> <li>• If CMPCTL[SHDWBMODE] = 0, then the shadow is enabled and any write or read will automatically go to the shadow register. In this case, the CMPCTL[LOADBMODE] bit field determines which event will load the active register from the shadow register:</li> <li>• Before a write, the CMPCTL[SHDWBFULL] bit can be read to determine if the shadow register is currently full.</li> <li>• If CMPCTL[SHDWBMODE] = 1, then the shadow register is disabled and any write or read will go directly to the active register, that is the register actively controlling the hardware.</li> <li>• In either mode, the active and shadow registers share the same memory map address.</li> </ul>



**Figure 86. Counter-Compare Control Register (CMPCTL)**

15				10		9	8
Reserved						SHDWBFULL	SHDWAFULL
R-0						R-0	R-0
7	6	5	4	3	2	1	0
Reserved	SHDWBMODE	Reserved	SHDWAMODE	LOADBMODE		LOADAMODE	
R-0	R/W-0	R-0	R/W-0	R/W-0		R/W-0	

LEGEND: R/W = Read/Write; R = Read only; -n = value after reset

**Table 34. Counter-Compare Control Register (CMPCTL) Field Descriptions**

Bits	Name	Value	Description
15-10	Reserved		Reserved
9	SHDWBFULL	0 1	Counter-compare B (CMPB) Shadow Register Full Status Flag This bit self clears once a load-strobe occurs. 0 CMPB shadow FIFO not full yet 1 Indicates the CMPB shadow FIFO is full; a CPU write will overwrite current shadow value.
8	SHDWAFULL	0 1	Counter-compare A (CMPA) Shadow Register Full Status Flag The flag bit is set when a 32-bit write to CMPA:CMPAHR register or a 16-bit write to CMPA register is made. A 16-bit write to CMPAHR register will not affect the flag. This bit self clears once a load-strobe occurs. 0 CMPA shadow FIFO not full yet 1 Indicates the CMPA shadow FIFO is full, a CPU write will overwrite the current shadow value.
7	Reserved		Reserved
6	SHDWBMODE	0 1	Counter-compare B (CMPB) Register Operating Mode 0 Shadow mode. Operates as a double buffer. All writes via the CPU access the shadow register. 1 Immediate mode. Only the active compare B register is used. All writes and reads directly access the active register for immediate compare action.
5	Reserved		Reserved
4	SHDWAMODE	0 1	Counter-compare A (CMPA) Register Operating Mode 0 Shadow mode. Operates as a double buffer. All writes via the CPU access the shadow register. 1 Immediate mode. Only the active compare register is used. All writes and reads directly access the active register for immediate compare action
3-2	LOADBMODE	00 01 10 11	Active Counter-Compare B (CMPB) Load From Shadow Select Mode This bit has no effect in immediate mode (CMPCTL[SHDWBMODE] = 1). 00 Load on CTR = Zero: Time-base counter equal to zero (TBCTR = 0x0000) 01 Load on CTR = PRD: Time-base counter equal to period (TBCTR = TBPRD) 10 Load on either CTR = Zero or CTR = PRD 11 Freeze (no loads possible)
1-0	LOADAMODE	00 01 10 11	Active Counter-Compare A (CMPA) Load From Shadow Select Mode. This bit has no effect in immediate mode (CMPCTL[SHDWAMODE] = 1). 00 Load on CTR = Zero: Time-base counter equal to zero (TBCTR = 0x0000) 01 Load on CTR = PRD: Time-base counter equal to period (TBCTR = TBPRD) 10 Load on either CTR = Zero or CTR = PRD 11 Freeze (no loads possible)

**Figure 87. Compare A High Resolution Register (CMPAHR)**

15	CMPAHR	8
R/W-0		
7	Reserved	0
R-0		

LEGEND: R/W = Read/Write; R = Read only; -n = value after reset

**Table 35. Compare A High Resolution Register (CMPAHR) Field Descriptions**

Bit	Field	Value	Description
15-8	CMPAHR	00-FFh	These 8-bits contain the high-resolution portion (least significant 8-bits) of the counter-compare A value. CMPA:CMPAHR can be accessed in a single 32-bit read/write. Shadowing is enabled and disabled by the CMPCTL[SHDWAMODE] bit as described for the CMPA register.
7-0	Reserved		Reserved for TI Test

**Figure 88. Counter-Compare A Mirror Register (CMPAM)**

15	CMPA	0
R/W-0		

LEGEND: R/W = Read/Write; R = Read only; -n = value after reset

**Table 36. Counter-Compare A Mirror Register (CMPAM) Field Descriptions**

Bit	Field	Value	Description
15-0	CMPA	0000-FFFFh	<p>CMPA and CMPAM can both be used to access the counter-compare A value. The only difference is that the mirror register always reads back the active value.</p> <p>By default writes to this register are shadowed. Unlike the CMPA register, reads of CMPAM always return the active register value. Shadowing is enabled and disabled by the CMPCTL[SHDWAMODE] bit.</p> <ul style="list-style-type: none"> <li>If CMPCTL[SHDWAMODE] = 0, then the shadow is enabled and any write will automatically go to the shadow register. All reads will reflect the active register value. In this case, the CMPCTL[LOADAMODE] bit field determines which event will load the active register from the shadow register.</li> <li>Before a write, the CMPCTL[SHDWAFULL] bit can be read to determine if the shadow register is currently full.</li> <li>If CMPCTL[SHDWAMODE] = 1, then the shadow register is disabled and any write will go directly to the active register, that is the register actively controlling the hardware.</li> </ul>

**Figure 89. Compare A High Resolution Mirror Register**

15	CMPAHR	8
R/W-0		
7	Reserved	0
R-0		

LEGEND: R/W = Read/Write; R = Read only; -n = value after reset

**Table 37. Compare A High-Resolution Mirror Register (CMPAHRM) Field Descriptions**

Bit	Field	Value	Description
15-8	CMPAHR	00-FFh	Compare A High Resolution Bits  Writes to both the CMPAHR and CMPAHRM locations access the high-resolution (least significant 8-bit) portion of the Counter Compare A value. The only difference is that unlike CMPAHR, reads from the mirror register, CMPAHRM, are indeterminate (reserved for TI Test).  By default writes to this register are shadowed. Shadowing is enabled and disabled by the CMPCTL[SHDWAMODE] bit as described for the CMPAM register.
7-0	Reserved		Reserved for TI Test

### 4.3 Action-Qualifier Submodule Registers

Figure 90 through Figure 93 and Table 38 through Table 41 provide the action-qualifier submodule register definitions.

**Figure 90. Action-Qualifier Output A Control Register (AQCTLA)**

15	12	11	10	9	8
Reserved			CBD	CBU	
R-0			R/W-0	R/W-0	
7	6	5	4	3	2
CAD		CAU		PRD	ZRO
R/W-0		R/W-0		R/W-0	R/W-0

LEGEND: R/W = Read/Write; R = Read only; -n = value after reset

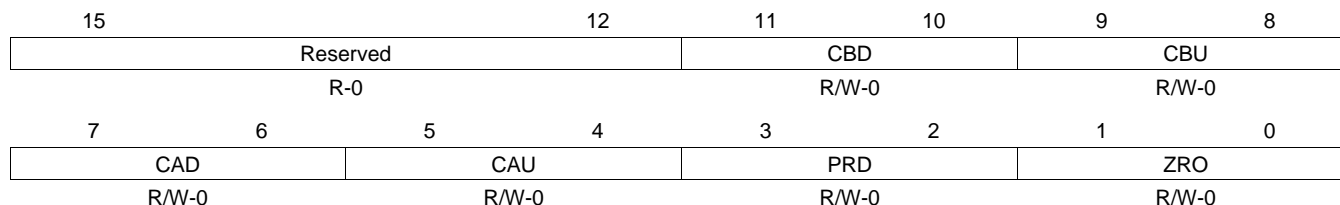
**Table 38. Action-Qualifier Output A Control Register (AQCTLA) Field Descriptions**

Bits	Name	Value	Description
15-12	Reserved		Reserved
11-10	CBD	00 01 10 11	Action when the time-base counter equals the active CMPB register and the counter is decrementing. Do nothing (action disabled) Clear: force EPWMxA output low. Set: force EPWMxA output high. Toggle EPWMxA output: low output signal will be forced high, and a high signal will be forced low.
9-8	CBU	00 01 10 11	Action when the counter equals the active CMPB register and the counter is incrementing. Do nothing (action disabled) Clear: force EPWMxA output low. Set: force EPWMxA output high. Toggle EPWMxA output: low output signal will be forced high, and a high signal will be forced low.
7-6	CAD	00 01 10 11	Action when the counter equals the active CMPA register and the counter is decrementing. Do nothing (action disabled) Clear: force EPWMxA output low. Set: force EPWMxA output high. Toggle EPWMxA output: low output signal will be forced high, and a high signal will be forced low.
5-4	CAU	00 01 10 11	Action when the counter equals the active CMPA register and the counter is incrementing. Do nothing (action disabled) Clear: force EPWMxA output low. Set: force EPWMxA output high. Toggle EPWMxA output: low output signal will be forced high, and a high signal will be forced low.

**Table 38. Action-Qualifier Output A Control Register (AQCTLA) Field Descriptions (continued)**

Bits	Name	Value	Description		
3-2	PRD		Action when the counter equals the period. Note: By definition, in count up-down mode when the counter equals period the direction is defined as 0 or counting down.		
		00	Do nothing (action disabled)		
		01	Clear: force EPWMxA output low.		
		10	Set: force EPWMxA output high.		
		11	Toggle EPWMxA output: low output signal will be forced high, and a high signal will be forced low.		
		1-0	ZRO		Action when counter equals zero. Note: By definition, in count up-down mode when the counter equals 0 the direction is defined as 1 or counting up.
				00	Do nothing (action disabled)
				01	Clear: force EPWMxA output low.
10	Set: force EPWMxA output high.				
		11	Toggle EPWMxA output: low output signal will be forced high, and a high signal will be forced low.		

**Figure 91. Action-Qualifier Output B Control Register (AQCTLB)**



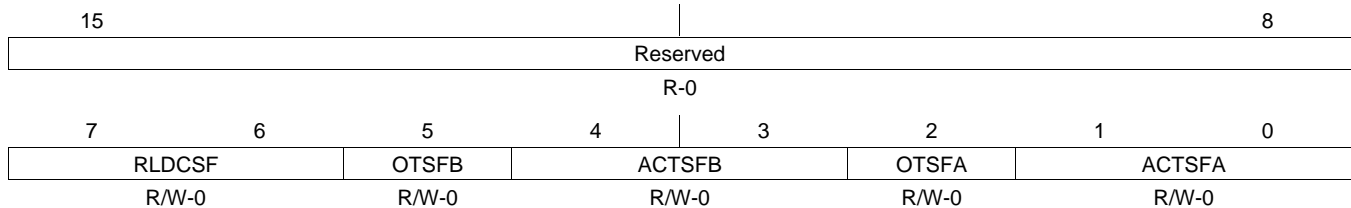
LEGEND: R/W = Read/Write; R = Read only; -n = value after reset

**Table 39. Action-Qualifier Output B Control Register (AQCTLB) Field Descriptions**

Bits	Name	Value	Description		
15-12	Reserved				
11-10	CBD		Action when the counter equals the active CMPB register and the counter is decrementing.		
		00	Do nothing (action disabled)		
		01	Clear: force EPWMxB output low.		
		10	Set: force EPWMxB output high.		
		11	Toggle EPWMxB output: low output signal will be forced high, and a high signal will be forced low.		
		9-8	CBU		Action when the counter equals the active CMPB register and the counter is incrementing.
				00	Do nothing (action disabled)
				01	Clear: force EPWMxB output low.
10	Set: force EPWMxB output high.				
		11	Toggle EPWMxB output: low output signal will be forced high, and a high signal will be forced low.		
		7-6	CAD		Action when the counter equals the active CMPA register and the counter is decrementing.
				00	Do nothing (action disabled)
				01	Clear: force EPWMxB output low.
10	Set: force EPWMxB output high.				
		11	Toggle EPWMxB output: low output signal will be forced high, and a high signal will be forced low.		
		5-4	CAU		Action when the counter equals the active CMPA register and the counter is incrementing.
				00	Do nothing (action disabled)
				01	Clear: force EPWMxB output low.
10	Set: force EPWMxB output high.				
		11	Toggle EPWMxB output: low output signal will be forced high, and a high signal will be forced low.		

**Table 39. Action-Qualifier Output B Control Register (AQCTLB) Field Descriptions (continued)**

Bits	Name	Value	Description
3-2	PRD	00 Do nothing (action disabled) 01 Clear: force EPWMxB output low. 10 Set: force EPWMxB output high. 11 Toggle EPWMxB output: low output signal will be forced high, and a high signal will be forced low.	Action when the counter equals the period. Note: By definition, in count up-down mode when the counter equals period the direction is defined as 0 or counting down.
1-0	ZRO	00 Do nothing (action disabled) 01 Clear: force EPWMxB output low. 10 Set: force EPWMxB output high. 11 Toggle EPWMxB output: low output signal will be forced high, and a high signal will be forced low.	Action when counter equals zero. Note: By definition, in count up-down mode when the counter equals 0 the direction is defined as 1 or counting up.

**Figure 92. Action-Qualifier Software Force Register (AQSFR)**

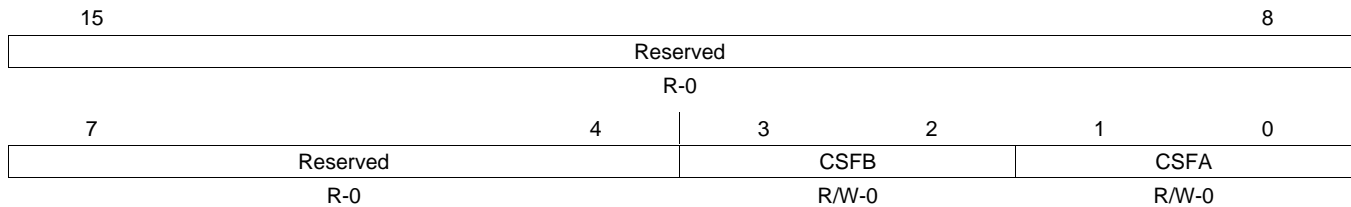
LEGEND: R/W = Read/Write; R = Read only; -n = value after reset

**Table 40. Action-Qualifier Software Force Register (AQSFR) Field Descriptions**

Bit	Field	Value	Description
15:8	Reserved		
7:6	RLDCSF	00 Load on event counter equals zero 01 Load on event counter equals period 10 Load on event counter equals zero or counter equals period 11 Load immediately (the active register is directly accessed by the CPU and is not loaded from the shadow register).	AQCSFRC Active Register Reload From Shadow Options
5	OTSFB	0 Writing a 0 (zero) has no effect. Always reads back a 0 This bit is auto cleared once a write to this register is complete, i.e., a forced event is initiated.) This is a one-shot forced event. It can be overridden by another subsequent event on output B. 1 Initiates a single s/w forced event	One-Time Software Forced Event on Output B
4:3	ACTSFB	00 Does nothing (action disabled) 01 Clear (low) 10 Set (high) 11 Toggle (Low -> High, High -> Low) <b>Note:</b> This action is not qualified by counter direction (CNT_dir)	Action when One-Time Software Force B Is Invoked
2	OTSFA	0 Writing a 0 (zero) has no effect. Always reads back a 0. This bit is auto cleared once a write to this register is complete ( i.e., a forced event is initiated). 1 Initiates a single software forced event	One-Time Software Forced Event on Output A

**Table 40. Action-Qualifier Software Force Register (AQSFRC) Field Descriptions (continued)**

Bit	Field	Value	Description
1:0	ACTSFA		Action When One-Time Software Force A Is Invoked
		00	Does nothing (action disabled)
		01	Clear (low)
		10	Set (high)
		11	Toggle (Low → High, High → Low)
			<b>Note:</b> This action is not qualified by counter direction (CNT_dir)

**Figure 93. Action-Qualifier Continuous Software Force Register (AQCSFRC)**


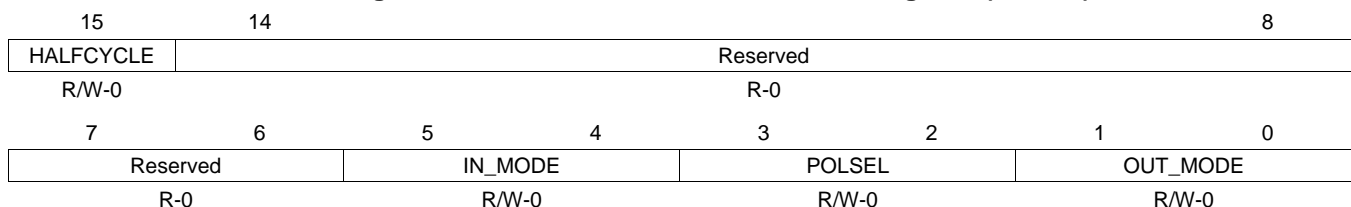
LEGEND: R/W = Read/Write; R = Read only; -n = value after reset

**Table 41. Action-qualifier Continuous Software Force Register (AQCSFRC) Field Descriptions**

Bits	Name	Value	Description
15-4	Reserved		Reserved
3-2	CSFB		Continuous Software Force on Output B
			In immediate mode, a continuous force takes effect on the next TBCLK edge.
			In shadow mode, a continuous force takes effect on the next TBCLK edge after a shadow load into the active register. To configure shadow mode, use AQSFRC[RLDCSF].
		00	Forcing disabled, i.e., has no effect
		01	Forces a continuous low on output B
		10	Forces a continuous high on output B
		11	Software forcing is disabled and has no effect
1-0	CSFA		Continuous Software Force on Output A
			In immediate mode, a continuous force takes effect on the next TBCLK edge.
			In shadow mode, a continuous force takes effect on the next TBCLK edge after a shadow load into the active register.
		00	Forcing disabled, i.e., has no effect
		01	Forces a continuous low on output A
		10	Forces a continuous high on output A
		11	Software forcing is disabled and has no effect

#### 4.4 Dead-Band Submodule Registers

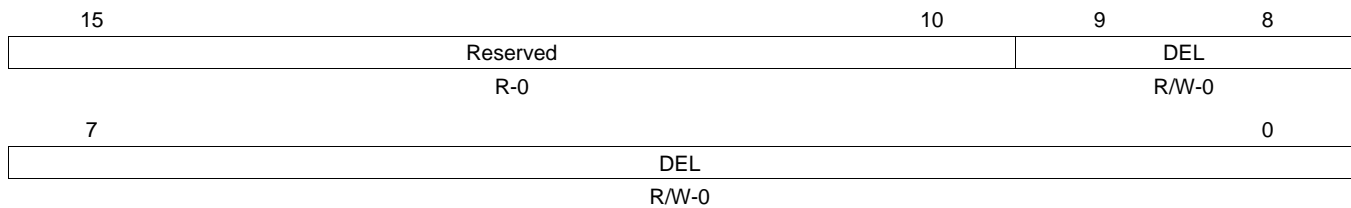
 through [Figure 96](#) and through [Table 44](#) provide the register definitions.

**Figure 94. Dead-Band Generator Control Register (DBCTL)**


LEGEND: R/W = Read/Write; R = Read only; -n = value after reset

**Table 42. Dead-Band Generator Control Register (DBCTL) Field Descriptions**

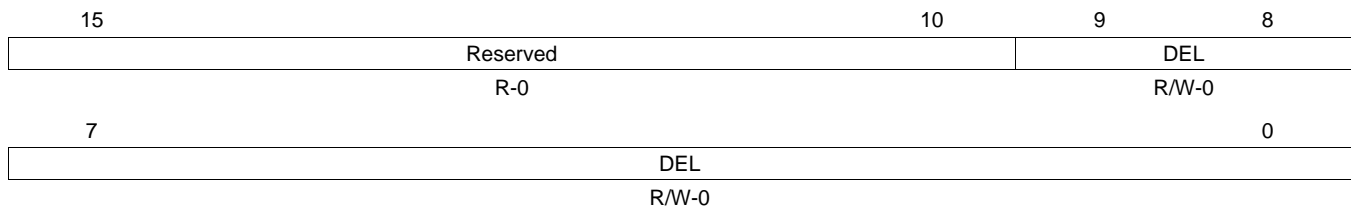
Bits	Name	Value	Description
15	HALFCYCLE	0 1	Half Cycle Clocking Enable Bit: Full cycle clocking enabled. The dead-band counters are clocked at the TBCLK rate. Half cycle clocking enabled. The dead-band counters are clocked at TBCLK*2.
14-6	Reserved		Reserved
5-4	IN_MODE	00 01 10 11	Dead Band Input Mode Control Bit 5 controls the S5 switch and bit 4 controls the S4 switch shown in <a href="#">Figure 31</a> . This allows you to select the input source to the falling-edge and rising-edge delay. To produce classical dead-band waveforms the default is EPWMxA In is the source for both falling and rising-edge delays. 00 EPWMxA In (from the action-qualifier) is the source for both falling-edge and rising-edge delay. 01 EPWMxB In (from the action-qualifier) is the source for rising-edge delayed signal. EPWMxA In (from the action-qualifier) is the source for falling-edge delayed signal. 10 EPWMxA In (from the action-qualifier) is the source for rising-edge delayed signal. EPWMxB In (from the action-qualifier) is the source for falling-edge delayed signal. 11 EPWMxB In (from the action-qualifier) is the source for both rising-edge delay and falling-edge delayed signal.
3-2	POLSEL	00 01 10 11	Polarity Select Control Bit 3 controls the S3 switch and bit 2 controls the S2 switch shown in <a href="#">Figure 31</a> . This allows you to selectively invert one of the delayed signals before it is sent out of the dead-band submodule. The following descriptions correspond to classical upper/lower switch control as found in one leg of a digital motor control inverter. These assume that DBCTL[OUT_MODE] = 1,1 and DBCTL[IN_MODE] = 0,0. Other enhanced modes are also possible, but not regarded as typical usage modes. 00 Active high (AH) mode. Neither EPWMxA nor EPWMxB is inverted (default). 01 Active low complementary (ALC) mode. EPWMxA is inverted. 10 Active high complementary (AHC). EPWMxB is inverted. 11 Active low (AL) mode. Both EPWMxA and EPWMxB are inverted.
1-0	OUT_MODE	00 01 10 11	Dead-band Output Mode Control Bit 1 controls the S1 switch and bit 0 controls the S0 switch shown in <a href="#">Figure 31</a> . This allows you to selectively enable or bypass the dead-band generation for the falling-edge and rising-edge delay. 00 Dead-band generation is bypassed for both output signals. In this mode, both the EPWMxA and EPWMxB output signals from the action-qualifier are passed directly to the PWM-chopper submodule. In this mode, the POLSEL and IN_MODE bits have no effect. 01 Disable rising-edge delay. The EPWMxA signal from the action-qualifier is passed straight through to the EPWMxA input of the PWM-chopper submodule. The falling-edge delayed signal is seen on output EPWMxB. The input signal for the delay is determined by DBCTL[IN_MODE]. 10 The rising-edge delayed signal is seen on output EPWMxA. The input signal for the delay is determined by DBCTL[IN_MODE]. Disable falling-edge delay. The EPWMxB signal from the action-qualifier is passed straight through to the EPWMxB input of the PWM-chopper submodule. 11 Dead-band is fully enabled for both rising-edge delay on output EPWMxA and falling-edge delay on output EPWMxB. The input signal for the delay is determined by DBCTL[IN_MODE].

**Figure 95. Dead-Band Generator Rising Edge Delay Register (DBRED)**


LEGEND: R/W = Read/Write; R = Read only; -n = value after reset

**Table 43. Dead-Band Generator Rising Edge Delay Register (DBRED) Field Descriptions**

Bits	Name	Value	Description
15-10	Reserved		Reserved
9-0	DEL		Rising Edge Delay Count. 10-bit counter.

**Figure 96. Dead-Band Generator Falling Edge Delay Register (DBFED)**


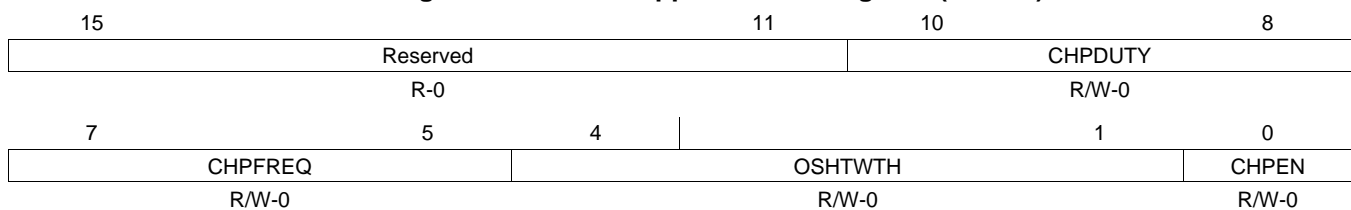
LEGEND: R/W = Read/Write; R = Read only; -n = value after reset

**Table 44. Dead-Band Generator Falling Edge Delay Register (DBFED) Field Descriptions**

Bits	Name	Description
15-10	Reserved	Reserved
9-0	DEL	Falling Edge Delay Count. 10-bit counter

#### 4.5 PWM-Chopper Submodule Control Register

Figure 97 and Table 45 provide the definitions for the PWM-chopper submodule control register.

**Figure 97. PWM-Chopper Control Register (PCCTL)**


LEGEND: R/W = Read/Write; R = Read only; -n = value after reset



**Table 45. PWM-Chopper Control Register (PCCTL) Bit Descriptions**

Bits	Name	Value	Description
15-11	Reserved		Reserved
10-8	CHPDUTY	000 001 010 011 100 101 110 111	Chopping Clock Duty Cycle Duty = 1/8 (12.5%) Duty = 2/8 (25.0%) Duty = 3/8 (37.5%) Duty = 4/8 (50.0%) Duty = 5/8 (62.5%) Duty = 6/8 (75.0%) Duty = 7/8 (87.5%) Reserved
7:5	CHPFREQ	000 001 010 011 100 101 110 111	Chopping Clock Frequency Divide by 1 (no prescale, = 12.5 MHz at 100 MHz SYSCLKOUT) Divide by 2 (6.25 MHz at 100 MHz SYSCLKOUT) Divide by 3 (4.16 MHz at 100 MHz SYSCLKOUT) Divide by 4 (3.12 MHz at 100 MHz SYSCLKOUT) Divide by 5 (2.50 MHz at 100 MHz SYSCLKOUT) Divide by 6 (2.08 MHz at 100 MHz SYSCLKOUT) Divide by 7 (1.78 MHz at 100 MHz SYSCLKOUT) Divide by 8 (1.56 MHz at 100 MHz SYSCLKOUT)
4:1	OSHTWTH	0000 0001 0010 0011 0100 0101 0110 0111 1000 1001 1010 1011 1100 1101 1110 1111	One-Shot Pulse Width 1 x SYSCLKOUT / 8 wide (= 80 nS at 100 MHz SYSCLKOUT) 2 x SYSCLKOUT / 8 wide (= 160 nS at 100 MHz SYSCLKOUT) 3 x SYSCLKOUT / 8 wide (= 240 nS at 100 MHz SYSCLKOUT) 4 x SYSCLKOUT / 8 wide (= 320 nS at 100 MHz SYSCLKOUT) 5 x SYSCLKOUT / 8 wide (= 400 nS at 100 MHz SYSCLKOUT) 6 x SYSCLKOUT / 8 wide (= 480 nS at 100 MHz SYSCLKOUT) 7 x SYSCLKOUT / 8 wide (= 560 nS at 100 MHz SYSCLKOUT) 8 x SYSCLKOUT / 8 wide (= 640 nS at 100 MHz SYSCLKOUT) 9 x SYSCLKOUT / 8 wide (= 720 nS at 100 MHz SYSCLKOUT) 10 x SYSCLKOUT / 8 wide (= 800 nS at 100 MHz SYSCLKOUT) 11 x SYSCLKOUT / 8 wide (= 880 nS at 100 MHz SYSCLKOUT) 12 x SYSCLKOUT / 8 wide (= 960 nS at 100 MHz SYSCLKOUT) 13 x SYSCLKOUT / 8 wide (= 1040 nS at 100 MHz SYSCLKOUT) 14 x SYSCLKOUT / 8 wide (= 1120 nS at 100 MHz SYSCLKOUT) 15 x SYSCLKOUT / 8 wide (= 1200 nS at 100 MHz SYSCLKOUT) 16 x SYSCLKOUT / 8 wide (= 1280 nS at 100 MHz SYSCLKOUT)
0	CHPEN	0 1	PWM-chopping Enable 0 Disable (bypass) PWM chopping function 1 Enable chopping function

## 4.6 Trip-Zone Submodule Control and Status Registers

**Figure 98. Trip-Zone Select Register (TZSEL)**

15	14	13	12	11	10	9	8
DCBEVT1	DCAEVT1	OSHT6	OSHT5	OSHT4	OSHT3	OSHT2	OSHT1
R-0	R-0	R/W-0	R/W-0	R/W-0	R/W-0	R/W-0	R/W-0
7	6	5	4	3	2	1	0
DCBEVT2	DCAEVT2	CBC6	CBC5	CBC4	CBC3	CBC2	CBC1
R-0		R/W-0	R/W-0	R/W-0	R/W-0	R/W-0	R/W-0

LEGEND: R/W = Read/Write; R = Read only; -n = value after reset

**Table 46. Trip-Zone Submodule Select Register (TZSEL) Field Descriptions**

Bits	Name	Value	Description
<b>One-Shot (OSHT) Trip-zone enable/disable. When any of the enabled pins go low, a one-shot trip event occurs for this ePWM module. When the event occurs, the action defined in the TZCTL register () is taken on the EPWMxA and EPWMxB outputs. The one-shot trip condition remains latched until the user clears the condition via the TZCLR register ().</b>			
15	DCBEVT1	0 1	Digital Compare Output B Event 1 Select Disable DCBEVT1 as one-shot-trip source for this ePWM module. Enable DCBEVT1 as one-shot-trip source for this ePWM module.
14	DCAEVT1	0 1	Digital Compare Output A Event 1 Select Disable DCAEVT1 as one-shot-trip source for this ePWM module. Enable DCAEVT1 as one-shot-trip source for this ePWM module.
13	OSHT6	0 1	Trip-zone 6 ( $\overline{TZ6}$ ) Select Disable $\overline{TZ6}$ as a one-shot trip source for this ePWM module. Enable $\overline{TZ6}$ as a one-shot trip source for this ePWM module.
12	OSHT5	0 1	Trip-zone 5 ( $\overline{TZ5}$ ) Select Disable $\overline{TZ5}$ as a one-shot trip source for this ePWM module Enable $\overline{TZ5}$ as a one-shot trip source for this ePWM module
11	OSHT4	0 1	Trip-zone 4 ( $\overline{TZ4}$ ) Select Disable $\overline{TZ4}$ as a one-shot trip source for this ePWM module Enable $\overline{TZ4}$ as a one-shot trip source for this ePWM module
10	OSHT3	0 1	Trip-zone 3 ( $\overline{TZ3}$ ) Select Disable $\overline{TZ3}$ as a one-shot trip source for this ePWM module Enable $\overline{TZ3}$ as a one-shot trip source for this ePWM module
9	OSHT2	0 1	Trip-zone 2 ( $\overline{TZ2}$ ) Select Disable $\overline{TZ2}$ as a one-shot trip source for this ePWM module Enable $\overline{TZ2}$ as a one-shot trip source for this ePWM module
8	OSHT1	0 1	Trip-zone 1 ( $\overline{TZ1}$ ) Select Disable $\overline{TZ1}$ as a one-shot trip source for this ePWM module Enable $\overline{TZ1}$ as a one-shot trip source for this ePWM module
<b>Cycle-by-Cycle (CBC) Trip-zone enable/disable. When any of the enabled pins go low, a cycle-by-cycle trip event occurs for this ePWM module. When the event occurs, the action defined in the TZCTL register () is taken on the EPWMxA and EPWMxB outputs. A cycle-by-cycle trip condition is automatically cleared when the time-base counter reaches zero.</b>			
7	DCBEVT2	0 1	Digital Compare Output B Event 2 Select Disable DCBEVT2 as a CBC trip source for this ePWM module Enable DCBEVT2 as a CBC trip source for this ePWM module
6	DCAEVT2	0 1	Digital Compare Output A Event 2 Select Disable DCAEVT2 as a CBC trip source for this ePWM module Enable DCAEVT2 as a CBC trip source for this ePWM module

**Table 46. Trip-Zone Submodule Select Register (TZSEL) Field Descriptions (continued)**

Bits	Name	Value	Description
5	CBC6	0	Trip-zone 6 ( $\overline{TZ6}$ ) Select Disable $\overline{TZ6}$ as a CBC trip source for this ePWM module
		1	Enable $\overline{TZ6}$ as a CBC trip source for this ePWM module
4	CBC5	0	Trip-zone 5 ( $\overline{TZ5}$ ) Select Disable $\overline{TZ5}$ as a CBC trip source for this ePWM module
		1	Enable $\overline{TZ5}$ as a CBC trip source for this ePWM module
3	CBC4	0	Trip-zone 4 ( $\overline{TZ4}$ ) Select Disable $\overline{TZ4}$ as a CBC trip source for this ePWM module
		1	Enable $\overline{TZ4}$ as a CBC trip source for this ePWM module
2	CBC3	0	Trip-zone 3 ( $\overline{TZ3}$ ) Select Disable $\overline{TZ3}$ as a CBC trip source for this ePWM module
		1	Enable $\overline{TZ3}$ as a CBC trip source for this ePWM module
1	CBC2	0	Trip-zone 2 ( $\overline{TZ2}$ ) Select Disable $\overline{TZ2}$ as a CBC trip source for this ePWM module
		1	Enable $\overline{TZ2}$ as a CBC trip source for this ePWM module
0	CBC1	0	Trip-zone 1 ( $\overline{TZ1}$ ) Select Disable $\overline{TZ1}$ as a CBC trip source for this ePWM module
		1	Enable $\overline{TZ1}$ as a CBC trip source for this ePWM module

**Figure 99. Trip-Zone Control Register (TZCTL)**

15				12				11		10		9		8	
Reserved						DCBEVT2				DCBEVT1					
R-0						R/W-0				R/W-0					
7		6		5		4		3		2		1		0	
DCAEVT2				DCAEVT1				TZB				TZA			
R/W-0				R/W-0				R/W-0				R/W-0			

LEGEND: R/W = Read/Write; R = Read only; -n = value after reset

**Table 47. Trip-Zone Control Register Field Descriptions**

Bit	Field	Value	Description
15-12	Reserved		Reserved
11-10	DCBEVT2	00	Digital Compare Output B Event 2 Action On EPWMxB: High-impedance (EPWMxB = High-impedance state)
		01	Force EPWMxB to a high state.
		10	Force EPWMxB to a low state.
		11	Do Nothing, trip action is disabled
9-8	DCBEVT1	00	Digital Compare Output B Event 1 Action On EPWMxB: High-impedance (EPWMxB = High-impedance state)
		01	Force EPWMxB to a high state.
		10	Force EPWMxB to a low state.
		11	Do Nothing, trip action is disabled
7-6	DCAEVT2	00	Digital Compare Output A Event 2 Action On EPWMxA: High-impedance (EPWMxA = High-impedance state)
		01	Force EPWMxA to a high state.
		10	Force EPWMxA to a low state.
		11	Do Nothing, trip action is disabled

**Table 47. Trip-Zone Control Register Field Descriptions (continued)**

Bit	Field	Value	Description
5-4	DCAEVT1	00 01 10 11	Digital Compare Output A Event 1 Action On EPWMxA: High-impedance (EPWMxA = High-impedance state) Force EPWMxA to a high state. Force EPWMxA to a low state. Do Nothing, trip action is disabled
3-2	TZB	00 01 10 11	When a trip event occurs the following action is taken on output EPWMxB. Which trip-zone pins can cause an event is defined in the TZSEL register. High-impedance (EPWMxB = High-impedance state) Force EPWMxB to a high state Force EPWMxB to a low state Do nothing, no action is taken on EPWMxB.
1-0	TZA	00 01 10 11	When a trip event occurs the following action is taken on output EPWMxA. Which trip-zone pins can cause an event is defined in the TZSEL register. High-impedance (EPWMxA = High-impedance state) Force EPWMxA to a high state Force EPWMxA to a low state Do nothing, no action is taken on EPWMxA.

**Figure 100. Trip-Zone Enable Interrupt Register (TZEINT)**

Reserved							
R -0							
7	6	5	4	3	2	1	0
Reserved	DCBEVT2	DCBEVT1	DCAEVT2	DCAEVT1	OST	CBC	Reserved
R-0	R/W-0	R/W-0	R/W-0	R/W-0	R/W-0	R/W-0	R-0

LEGEND: R/W = Read/Write; R = Read only; -n = value after reset

**Table 48. Trip-Zone Enable Interrupt Register (TZEINT) Field Descriptions**

Bits	Name	Value	Description
15-3	Reserved		Reserved
6	DCBEVT2	0 1	Digital Comparator Output B Event 2 Interrupt Enable Disabled Enabled
5	DCBEVT1	0 1	Digital Comparator Output B Event 1 Interrupt Enable Disabled Enabled
4	DCAEVT2	0 1	Digital Comparator Output A Event 2 Interrupt Enable Disabled Enabled
3	DCAEVT1	0 1	Digital Comparator Output A Event 1 Interrupt Enable Disabled Enabled
2	OST	0 1	Trip-zone One-Shot Interrupt Enable Disable one-shot interrupt generation Enable Interrupt generation; a one-shot trip event will cause a EPWMx_TZINT PIE interrupt.
1	CBC	0	Trip-zone Cycle-by-Cycle Interrupt Enable Disable cycle-by-cycle interrupt generation.

**Table 48. Trip-Zone Enable Interrupt Register (TZEINT) Field Descriptions (continued)**

Bits	Name	Value	Description
		1	Enable interrupt generation; a cycle-by-cycle trip event will cause an EPWMx_TZINT PIE interrupt.
0	Reserved		Reserved

**Figure 101. Trip-Zone Flag Register (TZFLG)**

Reserved							
R-0							
7	6	5	4	3	2	1	0
Reserved	DCBEVT2	DCBEVT1	DCAEVT2	DCAEVT1	OST	CBC	INT
R-0	R-0	R-0	R-0	R-0	R-0	R-0	R-0

LEGEND: R/W = Read/Write; R = Read only; -n = value after reset

**Table 49. Trip-Zone Flag Register Field Descriptions**

Bit	Field	Value	Description
15:7	Reserved		Reserved
6	DCBEVT2	0 1	Latched Status Flag for Digital Compare Output B Event 2 Indicates no trip event has occurred on DCBEVT2 Indicates a trip event has occurred for the event defined for DCBEVT2
5	DCBEVT1	0 1	Latched Status Flag for Digital Compare Output B Event 1 Indicates no trip event has occurred on DCBEVT1 Indicates a trip event has occurred for the event defined for DCBEVT1
4	DCAEVT2	0 1	Latched Status Flag for Digital Compare Output A Event 2 Indicates no trip event has occurred on DCAEVT2 Indicates a trip event has occurred for the event defined for DCAEVT2
3	DCAEVT1	0 1	Latched Status Flag for Digital Compare Output A Event 1 Indicates no trip event has occurred on DCAEVT1 Indicates a trip event has occurred for the event defined for DCAEVT1
2	OST	0 1	Latched Status Flag for A One-Shot Trip Event No one-shot trip event has occurred. Indicates a trip event has occurred on a pin selected as a one-shot trip source. This bit is cleared by writing the appropriate value to the TZCLR register .
1	CBC	0 1	Latched Status Flag for Cycle-By-Cycle Trip Event No cycle-by-cycle trip event has occurred. Indicates a trip event has occurred on a signal selected as a cycle-by-cycle trip source. The TZFLG[CBC] bit will remain set until it is manually cleared by the user. If the cycle-by-cycle trip event is still present when the CBC bit is cleared, then CBC will be immediately set again. The specified condition on the signal is automatically cleared when the ePWM time-base counter reaches zero (TBCTR = 0x0000) if the trip condition is no longer present. The condition on the signal is only cleared when the TBCTR = 0x0000 no matter where in the cycle the CBC flag is cleared. This bit is cleared by writing the appropriate value to the TZCLR register .
0	INT	0 1	Latched Trip Interrupt Status Flag Indicates no interrupt has been generated. Indicates an EPWMx_TZINT PIE interrupt was generated because of a trip condition. No further EPWMx_TZINT PIE interrupts will be generated until this flag is cleared. If the interrupt flag is cleared when either CBC or OST is set, then another interrupt pulse will be generated. Clearing all flag bits will prevent further interrupts. This bit is cleared by writing the appropriate value to the TZCLR register .

**Figure 102. Trip-Zone Clear Register (TZCLR)**

15							8
Reserved							
R-0							
7	6	5	4	3	2	1	0
Reserved	DCBEVT2	DCBEVT1	DCAEVT2	DCAEVT1	OST	CBC	INT
R-0	R/W1C-0	R/W1C-0	R/W1C-0	R/W1C-0	R/W-0	R/W-0	R/W-0

LEGEND: R/W = Read/Write; nC - write n to clear; R = Read only; -n = value after reset

**Table 50. Field Descriptions**

Bit	Field	Value	Description
15-7	Reserved		Reserved
6	DCBEVT2	0 1	Clear Flag for Digital Compare Output B Event 2 Writing 0 has no effect. This bit always reads back 0. Writing 1 clears the DCBEVT2 event trip condition.
5	DCBEVT1	0 1	Clear Flag for Digital Compare Output B Event 1 Writing 0 has no effect. This bit always reads back 0. Writing 1 clears the DCBEVT1 event trip condition.
4	DCAEVT2	0 1	Clear Flag for Digital Compare Output A Event 2 Writing 0 has no effect. This bit always reads back 0. Writing 1 clears the DCAEVT2 event trip condition.
3	DCAEVT1	0 1	Clear Flag for Digital Compare Output A Event 1 Writing 0 has no effect. This bit always reads back 0. Writing 1 clears the DCAEVT1 event trip condition.
2	OST	0 1	Clear Flag for One-Shot Trip (OST) Latch Has no effect. Always reads back a 0. Clears this Trip (set) condition.
1	CBC	0 1	Clear Flag for Cycle-By-Cycle (CBC) Trip Latch Has no effect. Always reads back a 0. Clears this Trip (set) condition.
0	INT	0 1	Global Interrupt Clear Flag Has no effect. Always reads back a 0. Clears the trip-interrupt flag for this ePWM module (TZFLG[INT]). <b>NOTE:</b> No further EPWMx_TZINT PIE interrupts will be generated until the flag is cleared. If the TZFLG[INT] bit is cleared and any of the other flag bits are set, then another interrupt pulse will be generated. Clearing all flag bits will prevent further interrupts.

**Figure 103. Trip-Zone Force Register (TZFRC)**

15							8
Reserved							
R-0							
7	6	5	4	3	2	1	0
Reserved	DCBEVT2	DCBEVT1	DCAEVT2	DCAEVT1	OST	CBC	Reserved
R-0	R/W-0	R/W-0	R/W-0	R/W-0	R/W-0	R/W-0	R-0

LEGEND: R/W = Read/Write; R = Read only; -n = value after reset

**Table 51. Trip-Zone Force Register (TZFRC) Field Descriptions**

Bits	Name	Value	Description
15-7	Reserved		Reserved
6	DCBEVT2		Force Flag for Digital Compare Output B Event 2

**Table 51. Trip-Zone Force Register (TZFRC) Field Descriptions (continued)**

Bits	Name	Value	Description
		0	Writing 0 has no effect. This bit always reads back 0.
		1	Writing 1 forces the DCBEVT2 event trip condition and sets the TZFLG[DCBEVT2] bit.
5	DCBEVT1		Force Flag for Digital Compare Output B Event 1
		0	Writing 0 has no effect. This bit always reads back 0.
		1	Writing 1 forces the DCBEVT1 event trip condition and sets the TZFLG[DCBEVT1] bit.
4	DCAEVT2		Force Flag for Digital Compare Output A Event 2
		0	Writing 0 has no effect. This bit always reads back 0.
		1	Writing 1 forces the DCAEVT2 event trip condition and sets the TZFLG[DCAEVT2] bit.
3	DCAEVT1		Force Flag for Digital Compare Output A Event 1
		0	Writing 0 has no effect. This bit always reads back 0
		1	Writing 1 forces the DCAEVT1 event trip condition and sets the TZFLG[DCAEVT1] bit.
2	OST		Force a One-Shot Trip Event via Software
		0	Writing of 0 is ignored. Always reads back a 0.
		1	Forces a one-shot trip event and sets the TZFLG[OST] bit.
1	CBC		Force a Cycle-by-Cycle Trip Event via Software
		0	Writing of 0 is ignored. Always reads back a 0.
		1	Forces a cycle-by-cycle trip event and sets the TZFLG[CBC] bit.
0	Reserved		Reserved

**Figure 104. Trip Zone Digital Compare Event Select Register (TZDCSEL)**

15	12	11	9	8	6	5	3	2	0
Reserved		DCBEVT2	DCBEVT1	DCAEVT2	DCAEVT1				
R-0		R/W-0	R/W-0	R/W-0	R/W-0		R/W-0		

LEGEND: R/W = Read/Write; R = Read only; -n = value after reset

**Table 52. Trip Zone Digital Compare Event Select Register (TZDCSEL) Field Descriptions**

Bit	Field	Value	Description
15-12	Reserved		Reserved
11-9	DCBEVT2		Digital Compare Output B Event 2 Selection
		000	Event disabled
		001	DCBH = low, DCBL = don't care
		010	DCBH = high, DCBL = don't care
		011	DCBL = low, DCBH = don't care
		100	DCBL = high, DCBH = don't care
		101	DCBL = high, DCBH = low
		110	reserved
		111	reserved
8-6	DCBEVT1		Digital Compare Output B Event 1 Selection
		000	Event disabled
		001	DCBH = low, DCBL = don't care
		010	DCBH = high, DCBL = don't care
		011	DCBL = low, DCBH = don't care
		100	DCBL = high, DCBH = don't care
		101	DCBL = high, DCBH = low
		110	reserved
		111	reserved

**Table 52. Trip Zone Digital Compare Event Select Register (TZDCSEL) Field Descriptions (continued)**

Bit	Field	Value	Description
5-3	DCAEVT2		Digital Compare Output A Event 2 Selection
		000	Event disabled
		001	DCAH = low, DCAL = don't care
		010	DCAH = high, DCAL = don't care
		011	DCAL = low, DCAH = don't care
		100	DCAL = high, DCAH = don't care
		101	DCAL = high, DCAH = low
		110	reserved
		111	reserved
2-0	DCAEVT1		Digital Compare Output A Event 1 Selection
		000	Event disabled
		001	DCAH = low, DCAL = don't care
		010	DCAH = high, DCAL = don't care
		011	DCAL = low, DCAH = don't care
		100	DCAL = high, DCAH = don't care
		101	DCAL = high, DCAH = low
		110	reserved
		111	reserved



## 4.7 Digital Compare Submodule Registers

**Figure 105. Digital Compare Trip Select (DCTRIPSEL)**

15	12	11	8
DCBLCOMPSEL		DCBHCOMPSEL	
R/W-0		R/W-0	
7	4	3	0
DCALCOMPSEL		DCAHCOMPSEL	
R/W-0		R/W-0	

LEGEND: R/W = Read/Write; R = Read only; -n = value after reset

**Table 53. Digital Compare Trip Select (DCTRIPSEL) Field Descriptions**

Bit	Field	Value	Description
15-12	DCBLCOMPSEL		<p>Digital Compare B Low Input Select</p> <p>Defines the source for the DCBL input. The TZ signals, when used as trip signals, are treated as normal inputs and can be defined as active high or active low.</p> <p>0000 <math>\overline{TZ1}</math> input</p> <p>0001 <math>\overline{TZ2}</math> input</p> <p>0010 <math>\overline{TZ3}</math> input</p> <p>1000 COMP1OUT input</p> <p>1001 COMP2OUT input</p> <p>1010 COMP3OUT input (not available on 2802x devices)</p> <p>Values not shown are reserved. If a device does not have a particular comparator, then that option is reserved.</p>
11-8	DCBHCOMPSEL		<p>Digital Compare B High Input Select</p> <p>Defines the source for the DCBH input. The TZ signals, when used as trip signals, are treated as normal inputs and can be defined as active high or active low.</p> <p>0000 <math>\overline{TZ1}</math> input</p> <p>0001 <math>\overline{TZ2}</math> input</p> <p>0010 <math>\overline{TZ3}</math> input</p> <p>1000 COMP1OUT input</p> <p>1001 COMP2OUT input</p> <p>1010 COMP3OUT input (not available on 2802x devices)</p> <p>Values not shown are reserved. If a device does not have a particular comparator, then that option is reserved.</p>
7-4	DCALCOMPSEL		<p>Digital Compare A Low Input Select</p> <p>Defines the source for the DCAL input. The TZ signals, when used as trip signals, are treated as normal inputs and can be defined as active high or active low.</p> <p>0000 <math>\overline{TZ1}</math> input</p> <p>0001 <math>\overline{TZ2}</math> input</p> <p>0010 <math>\overline{TZ3}</math> input</p> <p>1000 COMP1OUT input</p> <p>1001 COMP2OUT input</p> <p>1010 COMP3OUT input (not available on 2802x devices)</p> <p>Values not shown are reserved. If a device does not have a particular comparator, then that option is reserved.</p>

**Table 53. Digital Compare Trip Select (DCTRIPSEL) Field Descriptions (continued)**

Bit	Field	Value	Description
3-0	DCAHCOMPSEL		Digital Compare A High Input Select Defines the source for the DCAH input. The TZ signals, when used as trip signals, are treated as normal inputs and can be defined as active high or active low.
		0000	TZ1 input
		0001	TZ2 input
		0010	TZ3 input
		1000	COMP1OUT input
		1001	COMP2OUT input
		1010	COMP3OUT input (not available on 2802x devices)
			Values not shown are reserved. If a device does not have a particular comparator, then that option is reserved.

**Figure 106. Digital Compare A Control Register (DCACTL)**

15	10	9	8
Reserved		EVT2FRC SYNCSEL	EVT2SRCSEL
R-0		R/W-0	R/W-0
7	4	3	2
Reserved		EVT1SYNCE	EVT1SOCE
R-0		R/W-0	R/W-0
		1	0
		EVT1FRC SYNCSEL	EVT1SRCSEL
		R/W-0	R/W-0

LEGEND: R/W = Read/Write; R = Read only; -n = value after reset

**Table 54. Digital Compare A Control Register (DCACTL) Field Descriptions**

Bit	Field	Value	Description
15-10	Reserved		Reserved
9	EVT2FRC SYNCSEL	0 1	DCAEVT2 Force Synchronization Signal Select Source Is Synchronous Signal Source Is Asynchronous Signal
8	EVT2SRCSEL	0 1	DCAEVT2 Source Signal Select Source Is DCAEVT2 Signal Source Is DCEVTFILT Signal
7-4	Reserved		Reserved
3	EVT1SYNCE	0 1	DCAEVT1 SYNC, Enable/Disable SYNC Generation Disabled SYNC Generation Enabled
2	EVT1SOCE	0 1	DCAEVT1 SOC, Enable/Disable SOC Generation Disabled SOC Generation Enabled
1	EVT1FRC SYNCSEL	0 1	DCAEVT1 Force Synchronization Signal Select Source Is Synchronous Signal Source Is Asynchronous Signal
0	EVT1SRCSEL	0 1	DCAEVT1 Source Signal Select Source Is DCAEVT1 Signal Source Is DCEVTFILT Signal

**Figure 107. Digital Compare B Control Register (DCBCTL)**

15	10	9	8
Reserved		EVT2FRC SYNCSEL	EVT2SRCSEL
R-0		R/W-0	R/W-0
7	4	3	2
Reserved		EVT1SYNCE	EVT1SOCE
R-0		R/W-0	R/W-0
1	1	1	0
EVT1FRC SYNCSEL		EVT1SRCSEL	
R/W-0		R/W-0	

LEGEND: R/W = Read/Write; R = Read only; -n = value after reset

**Table 55. Digital Compare B Control Register (DCBCTL) Field Descriptions**

Bit	Field	Value	Description
15-10	Reserved		Reserved
9	EVT2FRC SYNCSEL	0	DCBEVT2 Force Synchronization Signal Select Source Is Synchronous Signal
		1	Source Is Asynchronous Signal
8	EVT2SRCSEL	0	DCBEVT2 Source Signal Select Source Is DCBEVT2 Signal
		1	Source Is DCEVTFILT Signal
7-4	Reserved		Reserved
3	EVT1SYNCE	0	DCBEVT1 SYNC, Enable/Disable SYNC Generation Disabled
		1	SYNC Generation Enabled
2	EVT1SOCE	0	DCBEVT1 SOC, Enable/Disable SOC Generation Disabled
		1	SOC Generation Enabled
1	EVT1FRC SYNCSEL	0	DCBEVT1 Force Synchronization Signal Select Source Is Synchronous Signal
		1	Source Is Asynchronous Signal
0	EVT1SRCSEL	0	DCBEVT1 Source Signal Select Source Is DCBEVT1 Signal
		1	Source Is DCEVTFILT Signal

**Figure 108. Digital Compare Filter Control Register (DCFCTL)**

15	13	12	8
Reserved		Reserved	
R-0		R-0	
7	6	5	4
Reserved	Reserved	PULSESEL	BLANKINV
R-0	R-0	R/W-0	R/W-0
2	1	1	0
BLANKE		SRCSEL	
R/W-0		R/W-0	

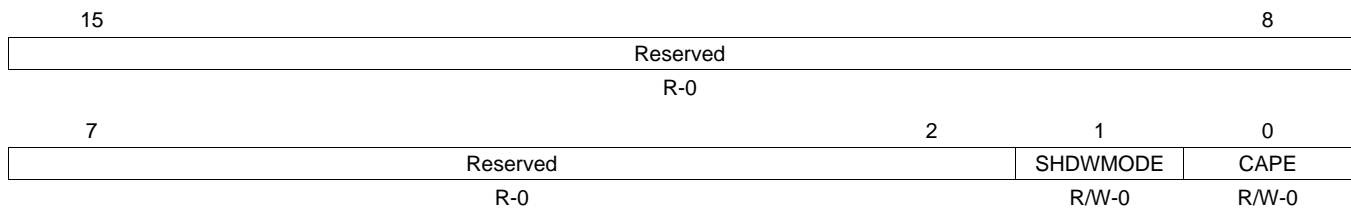
LEGEND: R/W = Read/Write; R = Read only; -n = value after reset

**Table 56. Digital Compare Filter Control Register (DCFCTL) Field Descriptions**

Bit	Field	Value	Description
15-13	Reserved		Reserved
12-8	Reserved		Reserved for TI Test
7	Reserved		Reserved
6	Reserved		Reserved for TI Test

**Table 56. Digital Compare Filter Control Register (DCFCTL) Field Descriptions (continued)**

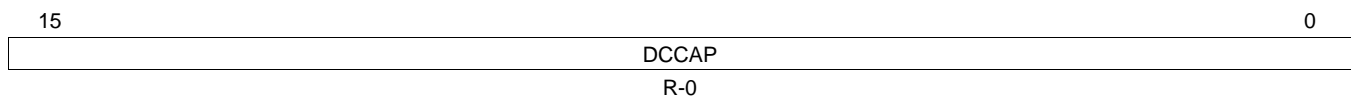
Bit	Field	Value	Description
5-4	PULSESEL		Pulse Select For Blanking & Capture Alignment
		00	Time-base counter equal to period (TBCTR = TBPRD)
		01	Time-base counter equal to zero (TBCTR = 0x0000)
		10	Reserved
		11	Reserved
3	BLANKINV	0	Blanking window not inverted
		1	Blanking window inverted
2	BLANKE	0	Blanking window is disabled
		1	Blanking window is enabled
1-0	SRCSEL		Filter Block Signal Source Select
		00	Source Is DCAEVT1 Signal
		01	Source Is DCAEVT2 Signal
		10	Source Is DCBEVT1 Signal
		11	Source Is DCBEVT2 Signal

**Figure 109. Digital Compare Capture Control Register (DCCAPCTL)**

LEGEND: R/W = Read/Write; R = Read only; -n = value after reset

**Table 57. Digital Compare Capture Control Register (DCCAPCTL) Field Descriptions**

Bit	Field	Value	Description
15-2	Reserved		Reserved
1	SHDWMODE	0	TBCTR Counter Capture Shadow Select Mode Enable shadow mode. The DCCAP active register is copied to shadow register on a TBCTR = TBPRD or TBCTR = zero event as defined by the DCFCTL[PULSESEL] bit. CPU reads of the DCCAP register will return the shadow register contents.
		1	Active Mode. In this mode the shadow register is disabled. CPU reads from the DCCAP register will always return the active register contents.
0	CAPE	0	TBCTR Counter Capture Enable/Disable Disable the time-base counter capture.
		1	Enable the time-base counter capture.

**Figure 110. Digital Compare Counter Capture Register (DCCAP)**

LEGEND: R/W = Read/Write; R = Read only; -n = value after reset

**Table 58. Digital Compare Counter Capture Register (DCCAP) Field Descriptions**

Bit	Field	Value	Description
15-0	DCCAP	0000-FFFFh	<p>Digital Compare Time-Base Counter Capture</p> <p>To enable time-base counter capture, set the DCCAPCLT[CAPE] bit to 1.</p> <p>If enabled, reflects the value of the time-base counter (TBCTR) on the low to high edge transition of a filtered (DCEVTFLT) event. Further capture events are ignored until the next period or zero as selected by the DCFCTL[PULSESEL] bit.</p> <p>Shadowing of DCCAP is enabled and disabled by the DCCAPCTL[SHDWMODE] bit. By default this register is shadowed.</p> <ul style="list-style-type: none"> <li>If DCCAPCTL[SHDWMODE] = 0, then the shadow is enabled. In this mode, the active register is copied to the shadow register on the TBCTR = TBPRD or TBCTR = zero as defined by the DCFCTL[PULSESEL] bit. CPU reads of this register will return the shadow register value.</li> <li>If DCCAPCTL[SHDWMODE] = 1, then the shadow register is disabled. In this mode, CPU reads will return the active register value.</li> </ul> <p>The active and shadow registers share the same memory map address.</p>

**Figure 111. Digital Compare Filter Offset Register (DCOFFSET)**

15	DCOFFSET	0
R-0		

LEGEND: R/W = Read/Write; R = Read only; -n = value after reset

**Table 59. Digital Compare Filter Offset Register (DCOFFSET) Field Descriptions**

Bit	Field	Value	Description
15-0	OFFSET	0000- FFFFh	<p>Blanking Window Offset</p> <p>These 16-bits specify the number of TBCLK cycles from the blanking window reference to the point when the blanking window is applied. The blanking window reference is either period or zero as defined by the DCFCTL[PULSESEL] bit.</p> <p>This offset register is shadowed and the active register is loaded at the reference point defined by DCFCTL[PULSESEL]. The offset counter is also initialized and begins to count down when the active register is loaded. When the counter expires, the blanking window is applied. If the blanking window is currently active, then the blanking window counter is restarted.</p>

**Figure 112. Digital Compare Filter Offset Counter Register (DCOFFSETCNT)**

15	OFFSETCNT	0
R-0		

LEGEND: R/W = Read/Write; R = Read only; -n = value after reset

**Table 60. Digital Compare Filter Offset Counter Register (DCOFFSETCNT) Field Descriptions**

Bit	Field	Value	Description
15-0	OFFSETCNT	0000- FFFFh	<p>Blanking Offset Counter</p> <p>These 16-bits are read only and indicate the current value of the offset counter. The counter counts down to zero and then stops until it is re-loaded on the next period or zero event as defined by the DCFCTL[PULSESEL] bit.</p> <p>The offset counter is not affected by the free/soft emulation bits. That is, it will always continue to count down if the device is halted by an emulation stop.</p>

**Figure 113. Digital Compare Filter Window Register (DCFWINDOW)**

15	8
Reserved	
R-0	
7	0
WINDOW	
R/W-0	

LEGEND: R/W = Read/Write; R = Read only; -n = value after reset

**Table 61. Digital Compare Filter Window Register (DCFWINDOW) Field Descriptions**

Bit	Field	Value	Description
15-8	Reserved		Reserved
7-0	WINDOW	00h 01-FFh	Blanking Window Width No blanking window is generated. Specifies the width of the blanking window in TBCLK cycles. The blanking window begins when the offset counter expires. When this occurs, the window counter is loaded and begins to count down. If the blanking window is currently active and the offset counter expires, the blanking window counter is restarted. The blanking window can cross a PWM period boundary.

**Figure 114. Digital Compare Filter Window Counter Register (DCFWINDOWCNT)**

15	8
Reserved	
R-0	
7	0
WINDOWCNT	
R-0	

LEGEND: R/W = Read/Write; R = Read only; -n = value after reset

**Table 62. Digital Compare Filter Window Counter Register (DCFWINDOWCNT) Field Descriptions**

Bit	Field	Value	Description
15-8	Reserved		Any writes to these bit(s) must always have a value of 0.
7-0	WINDOWCNT	00-FF	Blanking Window Counter These 8 bits are read only and indicate the current value of the window counter. The counter counts down to zero and then stops until it is re-loaded when the offset counter reaches zero again.

#### 4.8 Event-Trigger Submodule Registers

The event trigger selection register (ETSEL) and field descriptions below describe the registers for the event-trigger submodule.

**Figure 115. Event-Trigger Selection Register (ETSEL)**

15	14	12	11	10	8
SOCBEN	SOCBSEL		SOCAEN	SOCASEL	
R/W-0	R/W-0		R/W-0	R/W-0	
7	4	3	2	0	
Reserved			INTEN	INTSEL	
R-0			R/W-0	R/W-0	

LEGEND: R/W = Read/Write; R = Read only; -n = value after reset

**Table 63. Event-Trigger Selection Register (ETSEL) Field Descriptions**

Bits	Name	Value	Description
15	SOCBEN	0 1	Enable the ADC Start of Conversion B (EPWMxSOCB) Pulse Disable EPWMxSOCB. Enable EPWMxSOCB pulse.
14-12	SOCBSEL	000 001 010 011 100 101 110 111	EPWMxSOCB Selection Options These bits determine when a EPWMxSOCB pulse will be generated. 000 Enable DCBEVT1.soc event 001 Enable event time-base counter equal to zero. (TBCTR = 0x0000) 010 Enable event time-base counter equal to period (TBCTR = TBPRD) 011 Enable event time-base counter equal to zero or period (TBCTR = 0x0000 or TBCTR = TBPRD). This mode is useful in up-down count mode. 100 Enable event time-base counter equal to CMPA when the timer is incrementing. 101 Enable event time-base counter equal to CMPA when the timer is decrementing. 110 Enable event: time-base counter equal to CMPB when the timer is incrementing. 111 Enable event: time-base counter equal to CMPB when the timer is decrementing.
11	SOCAEN	0 1	Enable the ADC Start of Conversion A (EPWMxSOCA) Pulse Disable EPWMxSOCA. Enable EPWMxSOCA pulse.
10-8	SOCASEL	000 001 010 011 100 101 110 111	EPWMxSOCA Selection Options These bits determine when a EPWMxSOCA pulse will be generated. 000 Enable DCAEVT1.soc event 001 Enable event time-base counter equal to zero. (TBCTR = 0x0000) 010 Enable event time-base counter equal to period (TBCTR = TBPRD) 011 Enable event time-base counter equal to zero or period (TBCTR = 0x0000 or TBCTR = TBPRD). This mode is useful in up-down count mode. 100 Enable event time-base counter equal to CMPA when the timer is incrementing. 101 Enable event time-base counter equal to CMPA when the timer is decrementing. 110 Enable event: time-base counter equal to CMPB when the timer is incrementing. 111 Enable event: time-base counter equal to CMPB when the timer is decrementing.
7-4	Reserved		Reserved
3	INTEN	0 1	Enable ePWM Interrupt (EPWMx_INT) Generation Disable EPWMx_INT generation Enable EPWMx_INT generation
2-0	INTSEL	000 001 010 011 100 101 110 111	ePWM Interrupt (EPWMx_INT) Selection Options 000 Reserved 001 Enable event time-base counter equal to zero. (TBCTR = 0x0000) 010 Enable event time-base counter equal to period (TBCTR = TBPRD) 011 Enable event time-base counter equal to zero or period (TBCTR = 0x0000 or TBCTR = TBPRD). This mode is useful in up-down count mode. 100 Enable event time-base counter equal to CMPA when the timer is incrementing. 101 Enable event time-base counter equal to CMPA when the timer is decrementing. 110 Enable event: time-base counter equal to CMPB when the timer is incrementing. 111 Enable event: time-base counter equal to CMPB when the timer is decrementing.

**Figure 116. Event-Trigger Prescale Register (ETPS)**

15	14	13	12	11	10	9	8	
SOCBCNT		SOCBPRD		SOCACNT		SOCAPRD		
R-0		R/W-0		R-0		R/W-0		
7				4	3	2	1	0
Reserved				INTCNT		INTPRD		
R-0				R-0		R/W-0		

LEGEND: R/W = Read/Write; R = Read only; -n = value after reset

**Table 64. Event-Trigger Prescale Register (ETPS) Field Descriptions**

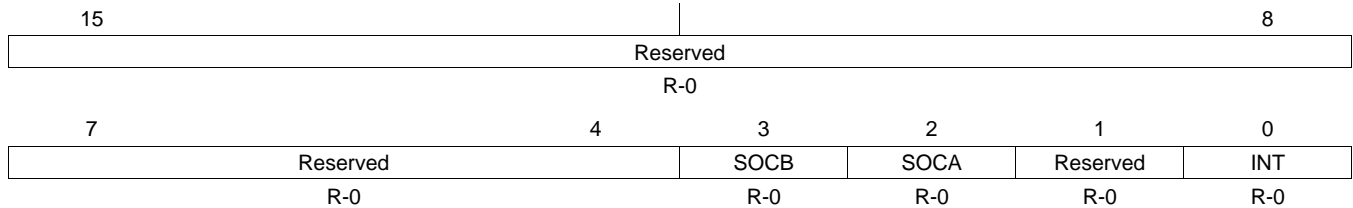
Bits	Name	Description								
15-14	SOCBCNT	<p>ePWM ADC Start-of-Conversion B Event (EPWMxSOCB) Counter Register</p> <p>These bits indicate how many selected ETSEL[SOCBSEL] events have occurred:</p> <table border="0"> <tr><td>00</td><td>No events have occurred.</td></tr> <tr><td>01</td><td>1 event has occurred.</td></tr> <tr><td>10</td><td>2 events have occurred.</td></tr> <tr><td>11</td><td>3 events have occurred.</td></tr> </table>	00	No events have occurred.	01	1 event has occurred.	10	2 events have occurred.	11	3 events have occurred.
00	No events have occurred.									
01	1 event has occurred.									
10	2 events have occurred.									
11	3 events have occurred.									
13-12	SOCBPRD	<p>ePWM ADC Start-of-Conversion B Event (EPWMxSOCB) Period Select</p> <p>These bits determine how many selected ETSEL[SOCBSEL] events need to occur before an EPWMxSOCB pulse is generated. To be generated, the pulse must be enabled (ETSEL[SOCBEN] = 1). The SOCB pulse will be generated even if the status flag is set from a previous start of conversion (ETFLG[SOCB] = 1). Once the SOCB pulse is generated, the ETPS[SOCBCNT] bits will automatically be cleared.</p> <table border="0"> <tr><td>00</td><td>Disable the SOCB event counter. No EPWMxSOCB pulse will be generated</td></tr> <tr><td>01</td><td>Generate the EPWMxSOCB pulse on the first event: ETPS[SOCBCNT] = 0,1</td></tr> <tr><td>10</td><td>Generate the EPWMxSOCB pulse on the second event: ETPS[SOCBCNT] = 1,0</td></tr> <tr><td>11</td><td>Generate the EPWMxSOCB pulse on the third event: ETPS[SOCBCNT] = 1,1</td></tr> </table>	00	Disable the SOCB event counter. No EPWMxSOCB pulse will be generated	01	Generate the EPWMxSOCB pulse on the first event: ETPS[SOCBCNT] = 0,1	10	Generate the EPWMxSOCB pulse on the second event: ETPS[SOCBCNT] = 1,0	11	Generate the EPWMxSOCB pulse on the third event: ETPS[SOCBCNT] = 1,1
00	Disable the SOCB event counter. No EPWMxSOCB pulse will be generated									
01	Generate the EPWMxSOCB pulse on the first event: ETPS[SOCBCNT] = 0,1									
10	Generate the EPWMxSOCB pulse on the second event: ETPS[SOCBCNT] = 1,0									
11	Generate the EPWMxSOCB pulse on the third event: ETPS[SOCBCNT] = 1,1									
11-10	SOCACNT	<p>ePWM ADC Start-of-Conversion A Event (EPWMxSOCA) Counter Register</p> <p>These bits indicate how many selected ETSEL[SOCASEL] events have occurred:</p> <table border="0"> <tr><td>00</td><td>No events have occurred.</td></tr> <tr><td>01</td><td>1 event has occurred.</td></tr> <tr><td>10</td><td>2 events have occurred.</td></tr> <tr><td>11</td><td>3 events have occurred.</td></tr> </table>	00	No events have occurred.	01	1 event has occurred.	10	2 events have occurred.	11	3 events have occurred.
00	No events have occurred.									
01	1 event has occurred.									
10	2 events have occurred.									
11	3 events have occurred.									
9-8	SOCAPRD	<p>ePWM ADC Start-of-Conversion A Event (EPWMxSOCA) Period Select</p> <p>These bits determine how many selected ETSEL[SOCASEL] events need to occur before an EPWMxSOCA pulse is generated. To be generated, the pulse must be enabled (ETSEL[SOCAEN] = 1). The SOCA pulse will be generated even if the status flag is set from a previous start of conversion (ETFLG[SOCA] = 1). Once the SOCA pulse is generated, the ETPS[SOCACNT] bits will automatically be cleared.</p> <table border="0"> <tr><td>00</td><td>Disable the SOCA event counter. No EPWMxSOCA pulse will be generated</td></tr> <tr><td>01</td><td>Generate the EPWMxSOCA pulse on the first event: ETPS[SOCACNT] = 0,1</td></tr> <tr><td>10</td><td>Generate the EPWMxSOCA pulse on the second event: ETPS[SOCACNT] = 1,0</td></tr> <tr><td>11</td><td>Generate the EPWMxSOCA pulse on the third event: ETPS[SOCACNT] = 1,1</td></tr> </table>	00	Disable the SOCA event counter. No EPWMxSOCA pulse will be generated	01	Generate the EPWMxSOCA pulse on the first event: ETPS[SOCACNT] = 0,1	10	Generate the EPWMxSOCA pulse on the second event: ETPS[SOCACNT] = 1,0	11	Generate the EPWMxSOCA pulse on the third event: ETPS[SOCACNT] = 1,1
00	Disable the SOCA event counter. No EPWMxSOCA pulse will be generated									
01	Generate the EPWMxSOCA pulse on the first event: ETPS[SOCACNT] = 0,1									
10	Generate the EPWMxSOCA pulse on the second event: ETPS[SOCACNT] = 1,0									
11	Generate the EPWMxSOCA pulse on the third event: ETPS[SOCACNT] = 1,1									
7-4	Reserved	Reserved								
3-2	INTCNT	<p>ePWM Interrupt Event (EPWMx_INT) Counter Register</p> <p>These bits indicate how many selected ETSEL[INTSEL] events have occurred. These bits are automatically cleared when an interrupt pulse is generated. If interrupts are disabled, ETSEL[INT] = 0 or the interrupt flag is set, ETFLG[INT] = 1, the counter will stop counting events when it reaches the period value ETPS[INTCNT] = ETPS[INTPRD].</p> <table border="0"> <tr><td>00</td><td>No events have occurred.</td></tr> <tr><td>01</td><td>1 event has occurred.</td></tr> <tr><td>10</td><td>2 events have occurred.</td></tr> <tr><td>11</td><td>3 events have occurred.</td></tr> </table>	00	No events have occurred.	01	1 event has occurred.	10	2 events have occurred.	11	3 events have occurred.
00	No events have occurred.									
01	1 event has occurred.									
10	2 events have occurred.									
11	3 events have occurred.									



**Table 64. Event-Trigger Prescale Register (ETPS) Field Descriptions (continued)**

Bits	Name	Description
1-0	INTPRD	<p>ePWM Interrupt (EPWMx_INT) Period Select</p> <p>These bits determine how many selected ETSEL[INTSEL] events need to occur before an interrupt is generated. To be generated, the interrupt must be enabled (ETSEL[INT] = 1). If the interrupt status flag is set from a previous interrupt (ETFLG[INT] = 1) then no interrupt will be generated until the flag is cleared via the ETCLR[INT] bit. This allows for one interrupt to be pending while another is still being serviced. Once the interrupt is generated, the ETPS[INTCNT] bits will automatically be cleared.</p> <p>Writing a INTPRD value that is the same as the current counter value will trigger an interrupt if it is enabled and the status flag is clear.</p> <p>Writing a INTPRD value that is less than the current counter value will result in an undefined state.</p> <p>If a counter event occurs at the same instant as a new zero or non-zero INTPRD value is written, the counter is incremented.</p> <p>00 Disable the interrupt event counter. No interrupt will be generated and ETFRC[INT] is ignored.</p> <p>01 Generate an interrupt on the first event INTCNT = 01 (first event)</p> <p>10 Generate interrupt on ETPS[INTCNT] = 1,0 (second event)</p> <p>11 Generate interrupt on ETPS[INTCNT] = 1,1 (third event)</p>

**Figure 117. Event-Trigger Flag Register (ETFLG)**



LEGEND: R/W = Read/Write; R = Read only; -n = value after reset

**Table 65. Event-Trigger Flag Register (ETFLG) Field Descriptions**

Bits	Name	Value	Description
15-4	Reserved		Reserved
3	SOCB	<p>0 Indicates no EPWMxSOCB event occurred</p> <p>1 Indicates that a start of conversion pulse was generated on EPWMxSOCB. The EPWMxSOCB output will continue to be generated even if the flag bit is set.</p>	Latched ePWM ADC Start-of-Conversion B (EPWMxSOCB) Status Flag
2	SOCA	<p>0 Indicates no event occurred</p> <p>1 Indicates that a start of conversion pulse was generated on EPWMxSOCA. The EPWMxSOCA output will continue to be generated even if the flag bit is set.</p>	Latched ePWM ADC Start-of-Conversion A (EPWMxSOCA) Status Flag Unlike the ETFLG[INT] flag, the EPWMxSOCA output will continue to pulse even if the flag bit is set.
1	Reserved		Reserved
0	INT	<p>0 Indicates no event occurred</p> <p>1 Indicates that an ePWMx interrupt (EPWMx_INT) was generated. No further interrupts will be generated until the flag bit is cleared. Up to one interrupt can be pending while the ETFLG[INT] bit is still set. If an interrupt is pending, it will not be generated until after the ETFLG[INT] bit is cleared. Refer to <a href="#">Figure 44</a>.</p>	Latched ePWM Interrupt (EPWMx_INT) Status Flag

**Figure 118. Event-Trigger Clear Register (ETCLR)**

15	Reserved					8
R = 0						
7	4	3	2	1	0	
Reserved		SOCB	SOCA	Reserved	INT	
R-0		R/W-0	R/W-0	R-0	R/W-0	

LEGEND: R/W = Read/Write; R = Read only; -n = value after reset

**Table 66. Event-Trigger Clear Register (ETCLR) Field Descriptions**

Bits	Name	Value	Description
15-4	Reserved		Reserved
3	SOCB	0	ePWM ADC Start-of-Conversion B (EPWMxSOCB) Flag Clear Bit Writing a 0 has no effect. Always reads back a 0
		1	Clears the ETFLG[SOCB] flag bit
2	SOCA	0	ePWM ADC Start-of-Conversion A (EPWMxSOCA) Flag Clear Bit Writing a 0 has no effect. Always reads back a 0
		1	Clears the ETFLG[SOCA] flag bit
1	Reserved		Reserved
0	INT	0	ePWM Interrupt (EPWMx_INT) Flag Clear Bit Writing a 0 has no effect. Always reads back a 0
		1	Clears the ETFLG[INT] flag bit and enable further interrupts pulses to be generated

**Figure 119. Event-Trigger Force Register (ETFRC)**

15	Reserved					8
R-0						
7	4	3	2	1	0	
Reserved		SOCB	SOCA	Reserved	INT	
R-0		R/W-0	R/W-0	R-0	R/W-0	

LEGEND: R/W = Read/Write; R = Read only; -n = value after reset

**Table 67. Event-Trigger Force Register (ETFRC) Field Descriptions**

Bits	Name	Value	Description
15-4	Reserved		Reserved
3	SOCB	0	SOCB Force Bit. The SOCB pulse will only be generated if the event is enabled in the ETSEL register. The ETFLG[SOCB] flag bit will be set regardless. Has no effect. Always reads back a 0.
		1	Generates a pulse on EPWMxSOCB and sets the SOCBFLG bit. This bit is used for test purposes.
2	SOCA	0	SOCA Force Bit. The SOCA pulse will only be generated if the event is enabled in the ETSEL register. The ETFLG[SOCA] flag bit will be set regardless. Writing 0 to this bit will be ignored. Always reads back a 0.
		1	Generates a pulse on EPWMxSOCA and set the SOCAFLG bit. This bit is used for test purposes.
1	Reserved	0	Reserved
0	INT	0	INT Force Bit. The interrupt will only be generated if the event is enabled in the ETSEL register. The INT flag bit will be set regardless. Writing 0 to this bit will be ignored. Always reads back a 0.
		1	Generates an interrupt on EPWMxINT and set the INT flag bit. This bit is used for test purposes.

#### 4.9 Proper Interrupt Initialization Procedure

When the ePWM peripheral clock is enabled it may be possible that interrupt flags may be set due to spurious events due to the ePWM registers not being properly initialized. The proper procedure for initializing the ePWM peripheral is as follows:

1. Disable global interrupts (CPU INTM flag)
2. Disable ePWM interrupts
3. Set TBCLKSYNC=0
4. Initialize peripheral registers
5. Set TBCLKSYNC=1
6. Clear any spurious ePWM flags (including PIEIFR)
7. Enable ePWM interrupts
8. Enable global interrupts

## Appendix A Revision History

This document has been revised to include the following technical change(s).

**Table 68. Changes for this Revision**

Location	Modifications, Additions, and Deletions
<a href="#">Section 2.2.3.2</a>	Added this section (Time-Base Clock Synchronization)
Global	Changed all occurrences of TBCNT to TBCTR
Global	Changed all occurrences of DBCTL.bit.MODE to DBCTL.bit.OUT_MODE
<a href="#">Section 4.9</a>	Added to the sequence list
<a href="#">Figure 119</a>	Changed R-0 for bits 0, 2, 3 to R/W-0

## IMPORTANT NOTICE

Texas Instruments Incorporated and its subsidiaries (TI) reserve the right to make corrections, modifications, enhancements, improvements, and other changes to its products and services at any time and to discontinue any product or service without notice. Customers should obtain the latest relevant information before placing orders and should verify that such information is current and complete. All products are sold subject to TI's terms and conditions of sale supplied at the time of order acknowledgment.

TI warrants performance of its hardware products to the specifications applicable at the time of sale in accordance with TI's standard warranty. Testing and other quality control techniques are used to the extent TI deems necessary to support this warranty. Except where mandated by government requirements, testing of all parameters of each product is not necessarily performed.

TI assumes no liability for applications assistance or customer product design. Customers are responsible for their products and applications using TI components. To minimize the risks associated with customer products and applications, customers should provide adequate design and operating safeguards.

TI does not warrant or represent that any license, either express or implied, is granted under any TI patent right, copyright, mask work right, or other TI intellectual property right relating to any combination, machine, or process in which TI products or services are used. Information published by TI regarding third-party products or services does not constitute a license from TI to use such products or services or a warranty or endorsement thereof. Use of such information may require a license from a third party under the patents or other intellectual property of the third party, or a license from TI under the patents or other intellectual property of TI.

Reproduction of TI information in TI data books or data sheets is permissible only if reproduction is without alteration and is accompanied by all associated warranties, conditions, limitations, and notices. Reproduction of this information with alteration is an unfair and deceptive business practice. TI is not responsible or liable for such altered documentation. Information of third parties may be subject to additional restrictions.

Resale of TI products or services with statements different from or beyond the parameters stated by TI for that product or service voids all express and any implied warranties for the associated TI product or service and is an unfair and deceptive business practice. TI is not responsible or liable for any such statements.

TI products are not authorized for use in safety-critical applications (such as life support) where a failure of the TI product would reasonably be expected to cause severe personal injury or death, unless officers of the parties have executed an agreement specifically governing such use. Buyers represent that they have all necessary expertise in the safety and regulatory ramifications of their applications, and acknowledge and agree that they are solely responsible for all legal, regulatory and safety-related requirements concerning their products and any use of TI products in such safety-critical applications, notwithstanding any applications-related information or support that may be provided by TI. Further, Buyers must fully indemnify TI and its representatives against any damages arising out of the use of TI products in such safety-critical applications.

TI products are neither designed nor intended for use in military/aerospace applications or environments unless the TI products are specifically designated by TI as military-grade or "enhanced plastic." Only products designated by TI as military-grade meet military specifications. Buyers acknowledge and agree that any such use of TI products which TI has not designated as military-grade is solely at the Buyer's risk, and that they are solely responsible for compliance with all legal and regulatory requirements in connection with such use.

TI products are neither designed nor intended for use in automotive applications or environments unless the specific TI products are designated by TI as compliant with ISO/TS 16949 requirements. Buyers acknowledge and agree that, if they use any non-designated products in automotive applications, TI will not be responsible for any failure to meet such requirements.

Following are URLs where you can obtain information on other Texas Instruments products and application solutions:

### Products

Audio	<a href="http://www.ti.com/audio">www.ti.com/audio</a>
Amplifiers	<a href="http://amplifier.ti.com">amplifier.ti.com</a>
Data Converters	<a href="http://dataconverter.ti.com">dataconverter.ti.com</a>
DLP® Products	<a href="http://www.dlp.com">www.dlp.com</a>
DSP	<a href="http://dsp.ti.com">dsp.ti.com</a>
Clocks and Timers	<a href="http://www.ti.com/clocks">www.ti.com/clocks</a>
Interface	<a href="http://interface.ti.com">interface.ti.com</a>
Logic	<a href="http://logic.ti.com">logic.ti.com</a>
Power Mgmt	<a href="http://power.ti.com">power.ti.com</a>
Microcontrollers	<a href="http://microcontroller.ti.com">microcontroller.ti.com</a>
RFID	<a href="http://www.ti-rfid.com">www.ti-rfid.com</a>
RF/IF and ZigBee® Solutions	<a href="http://www.ti.com/lprf">www.ti.com/lprf</a>

### Applications

Communications and Telecom	<a href="http://www.ti.com/communications">www.ti.com/communications</a>
Computers and Peripherals	<a href="http://www.ti.com/computers">www.ti.com/computers</a>
Consumer Electronics	<a href="http://www.ti.com/consumer-apps">www.ti.com/consumer-apps</a>
Energy and Lighting	<a href="http://www.ti.com/energy">www.ti.com/energy</a>
Industrial	<a href="http://www.ti.com/industrial">www.ti.com/industrial</a>
Medical	<a href="http://www.ti.com/medical">www.ti.com/medical</a>
Security	<a href="http://www.ti.com/security">www.ti.com/security</a>
Space, Avionics and Defense	<a href="http://www.ti.com/space-avionics-defense">www.ti.com/space-avionics-defense</a>
Transportation and Automotive	<a href="http://www.ti.com/automotive">www.ti.com/automotive</a>
Video and Imaging	<a href="http://www.ti.com/video">www.ti.com/video</a>
Wireless	<a href="http://www.ti.com/wireless-apps">www.ti.com/wireless-apps</a>

TI E2E Community Home Page

[e2e.ti.com](http://e2e.ti.com)

Mailing Address: Texas Instruments, Post Office Box 655303, Dallas, Texas 75265  
Copyright © 2011, Texas Instruments Incorporated