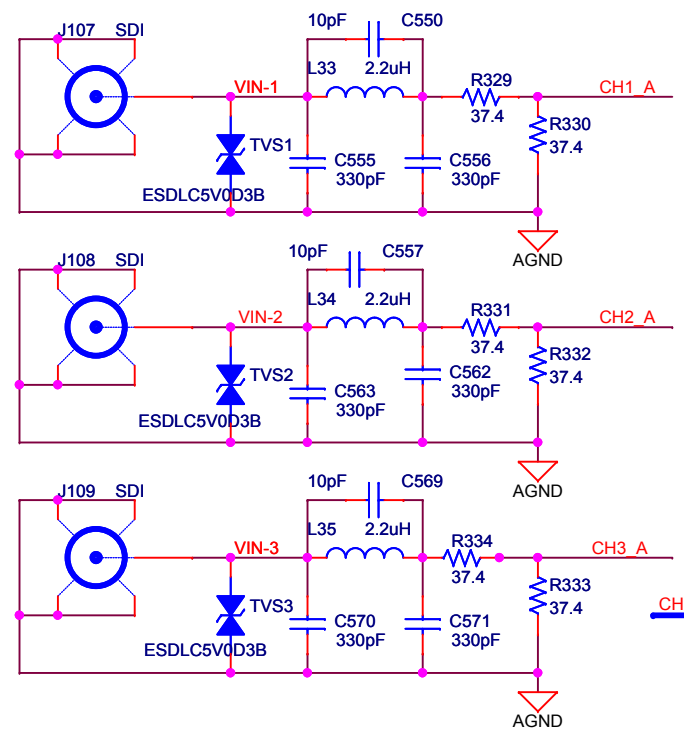
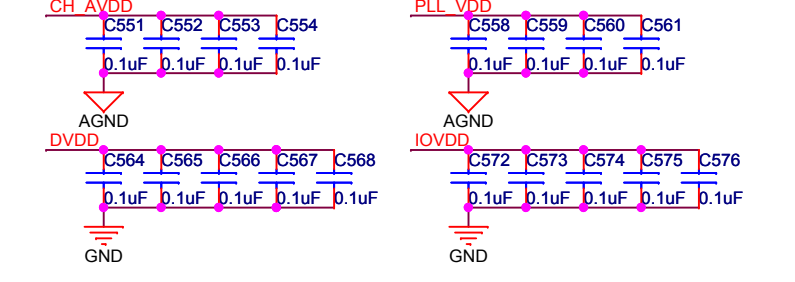


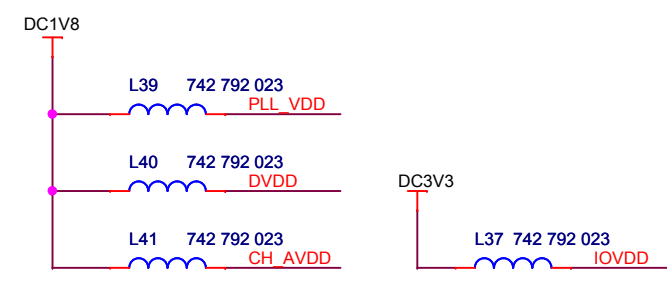
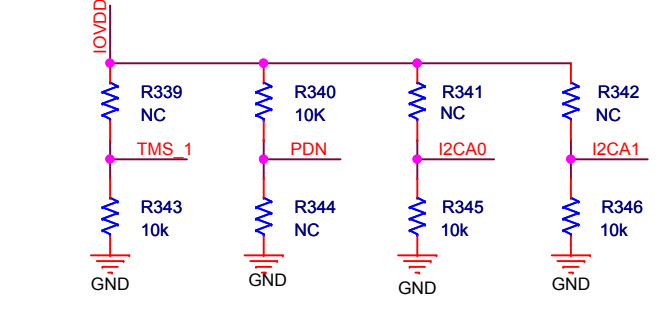
CVBS输入



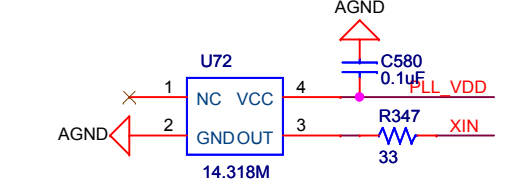
电源滤波电路



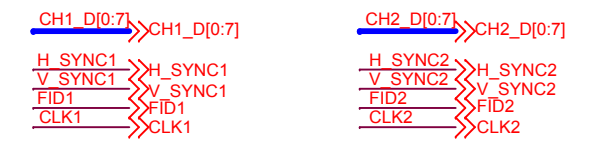
I2C Address Select



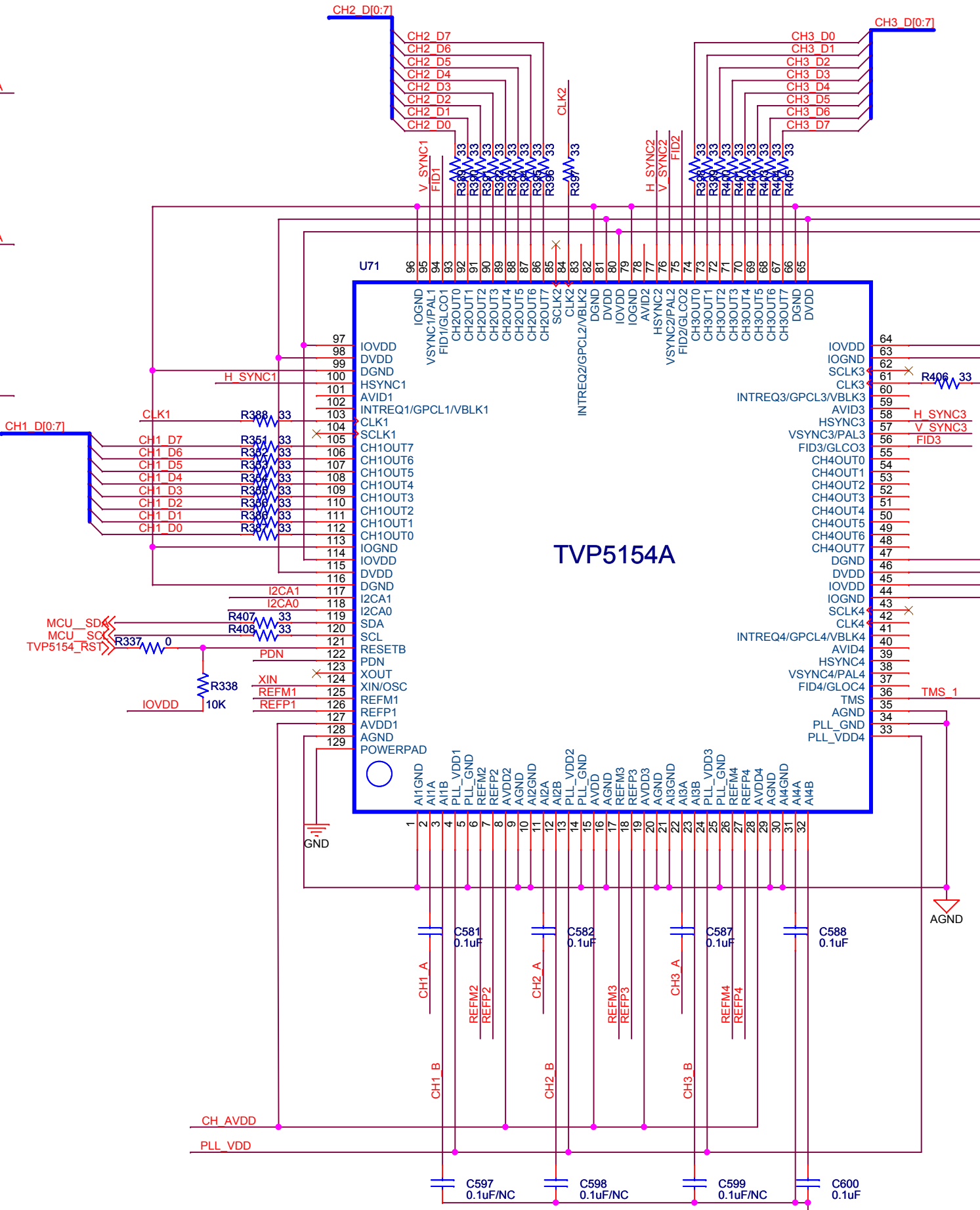
14.318M晶振电路



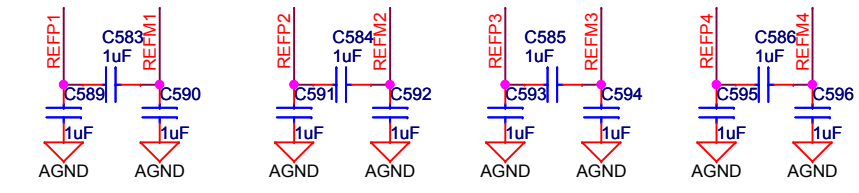
Channel 1 Channel 2



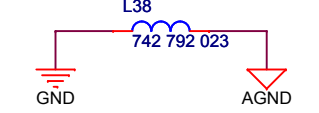
Channel 3



参考电压去耦



数字地和模拟地连接



Title		
VAR3-DAOSD4 V1.0		
Size	Document Number	Rev
A3	<Doc>	<V1.0>
Date:	Saturday, December 28, 2013	Sheet 2 of 9